

- Model 229 — Recessed
- Model 229-10 — Semi-Recessed (recesses 2"; projects 2")
- Model 229-11 — Surface-Mounted (projects 4")
- Standard Series — Satin Finish

Product Materials

CABINET: heavy gauge stainless steel. All welded construction.
FLANGE: 22 gauge stainless steel with exposed surfaces in architectural satin finish. One piece seamless construction, 1" wide with ¼" return.
DOOR: 22 gauge stainless steel with full length piano hinge and tumbler lock keyed like other Bradley units.
TOWEL DISPENSER: 22 gauge stainless steel. Rolled edge on dispenser opening.
WASTE RECEPTACLE INSERT: 22 gauge stainless steel.

Capacity

Towel Dispenser — 200 multi-fold or 100 C-fold paper towels.
 Waste Receptacle — 1.25 gal. (0.2 cu. ft.)

Operation

Towel dispenser holds multi-fold or C-fold towels without use of special adaptor. Waste receptacle removable for easy servicing.

Installation

Verify all rough-in dimensions prior to installation. Recessed unit requires rough wall opening 12½"W x 16½"H x 4"D (Semi-recessed unit only 2" deep). Secure to framing with mounting screws (included) at holes provided. Shim at screw points as required. Surface-mounted units must have holes drilled by installer.

Guide Specification

Recessed combination towel cabinet and waste receptacle shall be fabricated of stainless steel with exposed surfaces in satin finish. Door of nonflexing construction, equipped with full length piano hinge and tumbler lock. Towel dispenser capacity 200 multi-fold or 100 C-fold towels. Removable 1.25 gal stainless steel waste receptacle.

Overall dimensions: 14"W x 18"H x 4"D.

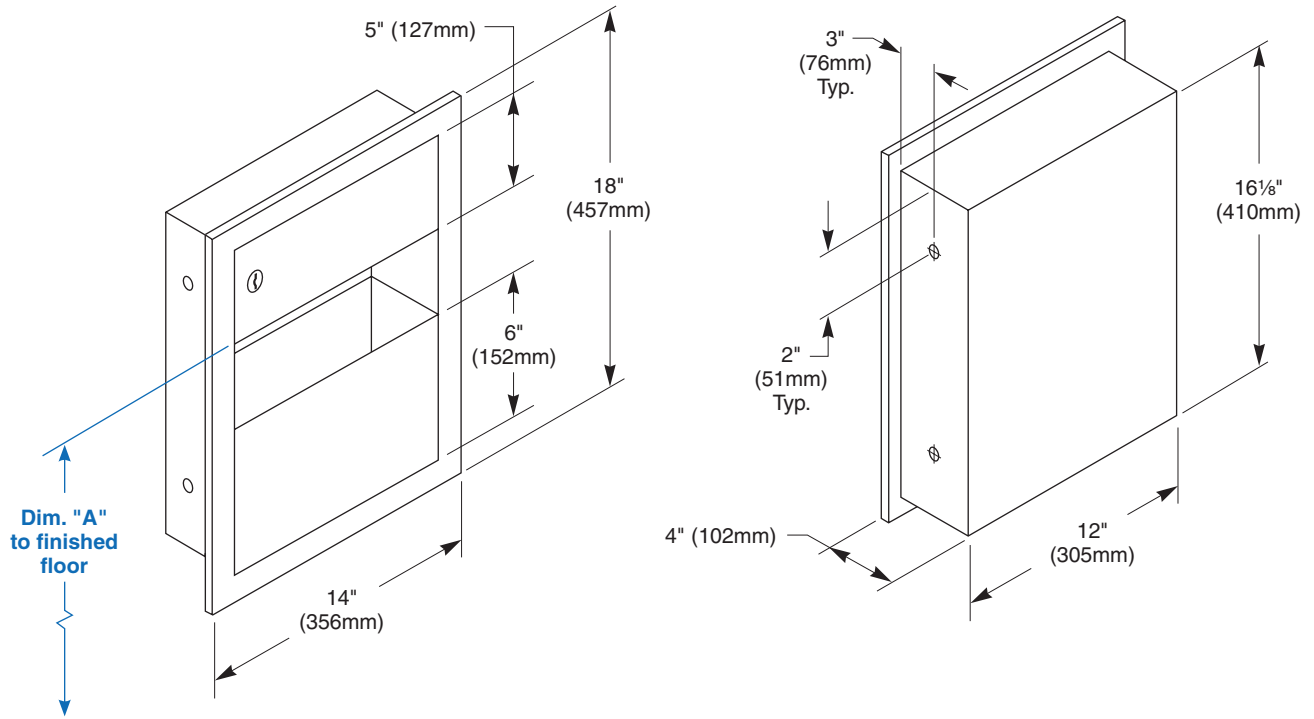


ADA Compliant

- Consult local and national accessibility codes for proper installation guidelines.
- Conformity and compliance to local and national codes is the responsibility of the installer.

Washroom Accessories
 Document No. 8110

Dimensions



Dim. "A" Key Surface:	For Dim. "A"	Top of Rough Wall Opening	Bottom of Rough Wall Opening
Paper towel top of opening to finished floor	48" (1219mm)	53" (1346mm)	36½" (927mm)
	45" (1143mm)	50" (1270mm)	33½" (851mm)
	42" (1067mm)	47" (1194mm)	30½" (775mm)
	40" (1016mm)	45" (1143mm)	28½" (724mm)
Rough wall opening:			
Surface Mount:	No rough opening, see overall dimensions		
Recessed:	12½" (318mm) Wide x 16½" (420mm) High x 4" (102mm) Deep		
Semi-recessed:	12½" (318mm) Wide x 16½" (420mm) High x 2" (51mm) Deep		

**Washroom Accessories
Document No. 8110**