

- Model 2291 — Recessed **Bradex**[®]
- Model 2291-10 — Semi-Recessed (recesses 2"; projects 2")
- Model 2291-11 — Surface-Mounted **Bradex**[®] (projects 4")
- Standard Series — Satin Finish

Product Materials

CABINET: 26 gauge stainless steel. All welded construction.

FLANGE: 22 gauge stainless steel with exposed surfaces in architectural satin finish. One piece seamless construction, 1" wide with 1/4" return.

DOOR: 22 gauge stainless steel. Warp resistant with full length piano hinge and tumbler lock keyed like other Bradley units.

TOWEL DISPENSER: 22 gauge stainless steel.

WASTE RECEPTACLE INSERT: 22 gauge stainless steel.

Capacity

Towel Dispenser — 475 multi-fold or 350 C-fold paper towels

Waste Receptacle — 2 gal. (0.3 cu. ft.)

Operation

Towel dispenser holds multi-fold or C-fold towels without use of special adaptor. Waste receptacle removable for easy servicing.

Installation

Verify all rough-in dimensions prior to installation. Recessed unit requires rough wall opening 12 1/2"W x 26 1/2"H x 4"D (semi-recessed unit only 2" deep). Secure to framing with mounting screws (included) at holes provided. Shim at screw points as required. Surface-mounted units must have holes drilled by installer.

Guide Specification

Recessed combination towel dispenser and waste receptacle shall be fabricated of stainless steel with exposed surfaces in satin finish. Door of nonflexing construction, equipped with full length piano hinge and tumbler lock. Towel dispenser capacity 475 multi-fold or 350 C-fold towels. Removable 2 gal. stainless steel waste receptacle.

Overall dimensions: 14"W x 28"H x 4"D.



ADA Compliant

- Consult local and national accessibility codes for proper installation guidelines.
- Conformity and compliance to local and national codes is the responsibility of the installer.

**Washroom Accessories
Document No. 8115**

Orders composed of products indicated as **Bradex**[®] will be available to ship in three days after receipt of order at the factory. There is no pricing penalty for this service from Bradley.

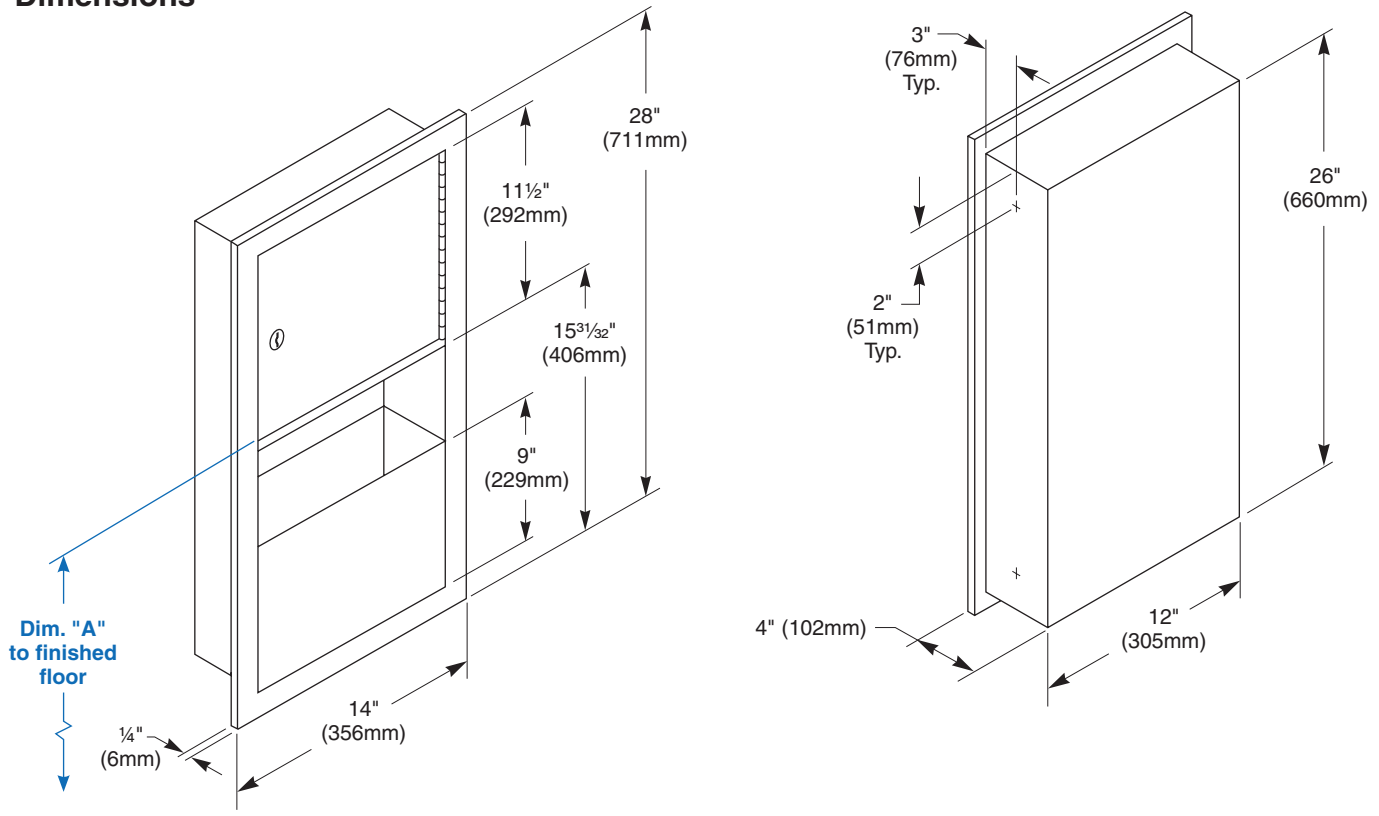
Page 1 of 2

This information is subject to change without notice.

6-20-2011

© 2011 Bradley Corporation
P.O. Box 309, Menomonee Falls, WI 53052-0309
Phone: 800.BRADLEY (800.272.3539) Fax: 262.253.4161
bradleycorp.com

Dimensions



Dim. "A" Key Surface:	For Dim. "A"	Top of Rough Wall Opening	Bottom of Rough Wall Opening
Paper towel top of opening to finished floor	48" (1219mm)	58 ³ / ₄ " (1492mm)	32 ¹ / ₄ " (819mm)
	45" (1143mm)	55 ³ / ₄ " (1416mm)	29 ¹ / ₄ " (743mm)
	42" (1067mm)	52 ³ / ₄ " (1340mm)	26 ¹ / ₄ " (667mm)
	40" (1016mm)	50 ³ / ₄ " (1289mm)	24 ¹ / ₄ " (616mm)
Rough wall opening:			
Surface Mount:	No rough opening, see overall dimensions		
Recessed:	12 ¹ / ₂ " (318mm) Wide x 26 ¹ / ₂ " (674mm) High x 4" (102mm) Deep		
Semi-recessed:	12 ¹ / ₂ " (318mm) Wide x 26 ¹ / ₂ " (674mm) High x 2" (51mm) Deep		

Washroom Accessories Document No. 8115

Orders composed of products indicated as **Bradex**® will be available to ship in three days after receipt of order at the factory. There is no pricing penalty for this service from Bradley.

Page 2 of 2

This information is subject to change without notice.

6-20-2011

© 2011 Bradley Corporation
P.O. Box 309, Menomonee Falls, WI 53052-0309
Phone: 800.BRADLEY (800.272.3539) Fax: 262.253.4161
bradleycorp.com