

- Model 155 — Recessed**
- Model 155-10 — Semi-Recessed (recesses 2"; projects 2")**
- Model 155-11 — Surface-Mounted (projects 4")**

Product Materials

FLANGE: 22 gauge stainless steel with exposed surfaces in architectural satin finish. One-piece seamless construction, 1" wide with 1/4" return.

CABINET: 26 gauge stainless steel.

DOOR: 22 gauge stainless steel with heavy-duty full-length piano hinge and tumbler lock keyed like other Bradley units.

MIRROR: first quality 1/4" float glass triple-silvered, electro-copper plated with baked enamel backing, guaranteed for 15 years against silver spoilage. Protected by shock-absorbing filler.

EXTERIOR SHELF: 22 gauge stainless steel with an area of 60 sq. in.



Capacity

Towel Dispenser — 800 multi-fold or C-fold towels.

Operation

Towel dispenser holds multi-fold or C-fold towels.

Installation

Verify all rough-in dimensions prior to installation. Recessed unit requires rough wall opening 15 5/8"W x 29 1/4"H x 4"D. Secure to framing with mounting screws (included) at holes provided. Shim at screw points as required.

Guide Specification

Recessed multi-purpose unit consisting of mirror, towel dispenser, and shelf shall be fabricated of stainless steel with exposed surfaces in satin finish. Mirrored door with full-length piano hinge and tumbler lock. Towel dispenser capacity 800 multi-fold or 600 C-fold towels.

Overall dimensions: 17 1/8"W x 30 3/8"H x 4"D.

Optional Features:

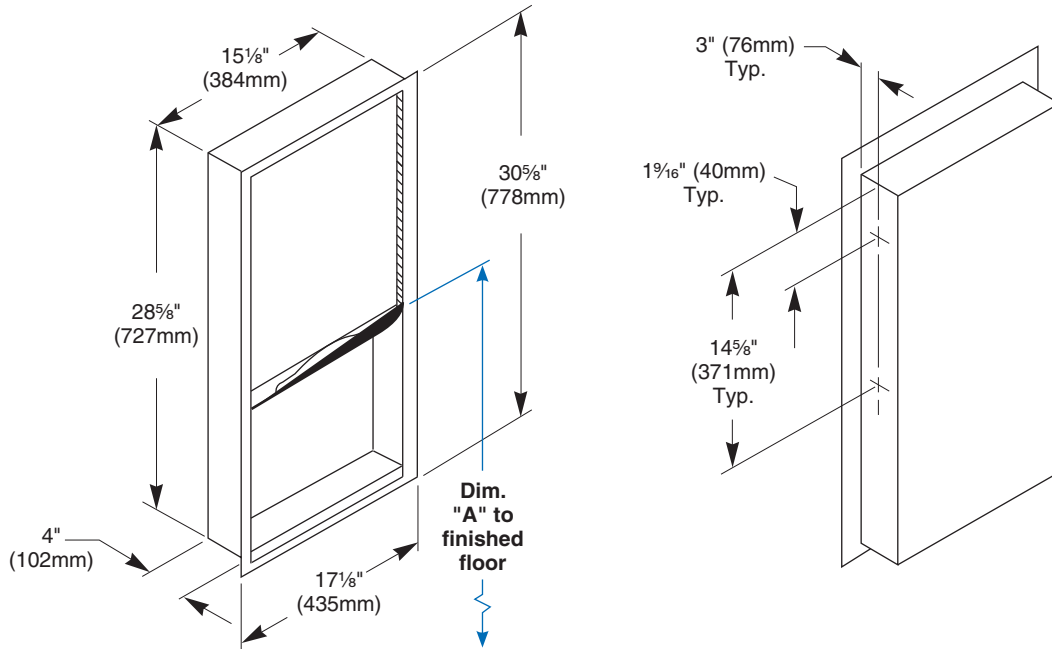
| Feature | Suffix |
|---|--------|
| <input type="checkbox"/> Interior shelf, small capacity towel cabinet | -16 |
| <input type="checkbox"/> Stainless steel door in lieu of mirror | -21 |
| <input type="checkbox"/> #8 Stainless steel mirror in lieu of glass | -23 |
| <input type="checkbox"/> Adjustable tilt mirror | -25 |
| <input type="checkbox"/> Cup dispenser | -27 |

ADA Compliant

- Consult local and national accessibility codes for proper installation guidelines.
- Conformity and compliance to local and national codes is the responsibility of the installer.

**Washroom Accessories
Document No. 8015**

Dimensions



| Dim. "A" Key Surface: | For Dim. "A" | Top of Rough Wall Opening | Bottom of Rough Wall Opening |
|--|---|---------------------------|------------------------------|
| Mirror's bottom edge of the reflecting surface to finished floor | 48" (1219mm) | 65 3/4" (1670mm) | 36 5/8" (930mm) |
| | 45" (1143mm) | 62 3/4" (1594mm) | 33 5/8" (854mm) |
| | 42" (1067mm) | 59 3/4" (1518mm) | 30 5/8" (778mm) |
| | 40" (1016mm) | 57 3/4" (1467mm) | 28 5/8" (727mm) |
| Rough wall opening: | | | |
| Surface Mount: | No rough opening, see overall dimensions | | |
| Recessed: | 15 5/8" (397mm) Wide x 29 1/8" (740mm) High x 4" (102mm) Deep | | |
| Semi-Recessed: | 15 5/8" (397mm) Wide x 29 1/8" (740mm) High x 2" (51mm) Deep | | |

Washroom Accessories
Document No. 8015