



**AMERICAN SPECIALTIES, INC.**

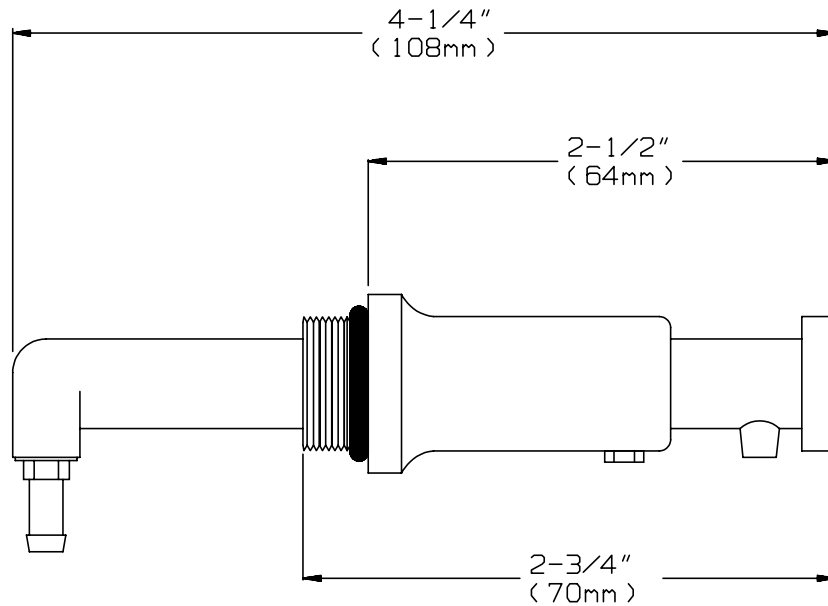
441 Saw Mill River Road, Yonkers, NY 10701 (914) 476-9000

MODEL No: V-320

ISSUED: 1-87

REVISED: 7-04

ALL PURPOSE LIQUID SOAP VALVE



**SPECIFICATION**

All Purpose Liquid Soap Valve shall dispense liquid and lotion soaps, synthetic detergents and antibacterial soaps containing PCMX and/or Triclosan. External parts are fabricated of polished chrome plated brass. Internal metal parts shall be stainless steel. Delrin piston shall have a stainless steel push-button, with rubber seal rings and shall not rotate during operation. Valve shall be leakproof when not in operation and shall comply with ADA Accessibility Guidelines by requiring no more than 5lbs<sub>f</sub> (22.2 Newtons) of pressure to actuate and require no grasping or twisting by operator.

**All Purpose Liquid Soap Valve shall be Model N° V-320 by American Specialties, Inc., 441 Saw Mill River Road, Yonkers, New York 10701-4913**

**INSTALLATION**

Unit is exact replacement for standard valve supplied with soap dispenser. Lubricate O-ring seal with a slight amount of soap before screwing valve body into existing tank. Tighten valve until mild resistance is felt and valve spout points down.

**OPERATION**

Soap is dispensed manually by depressing valve button until tank is empty.

Accessory Specialties

AMERICAN DISPENSER

Desert Ray Products

**WATROUS** .INC.