



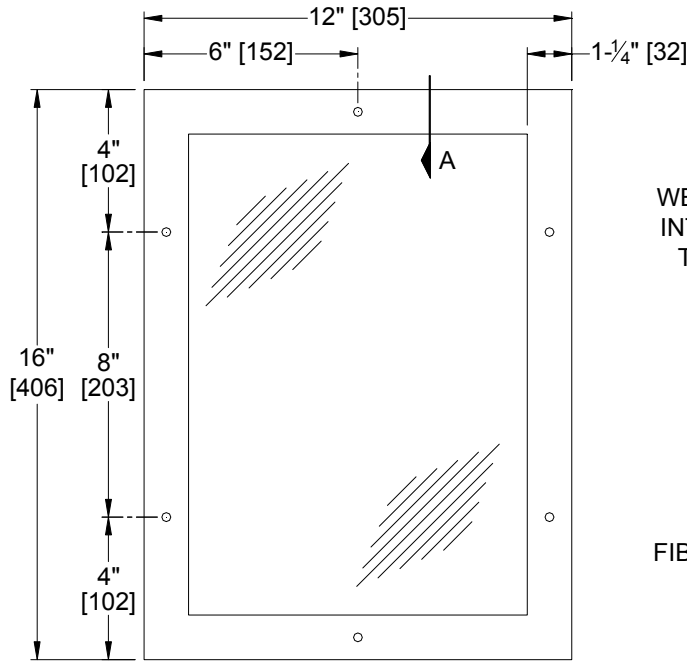
AMERICAN SPECIALTIES, INC.
 441 Saw Mill River Road, NY 10701
 (914) 476.9000 • (914) 476.0688
 www.americanspecialties.com

MODEL №: 101

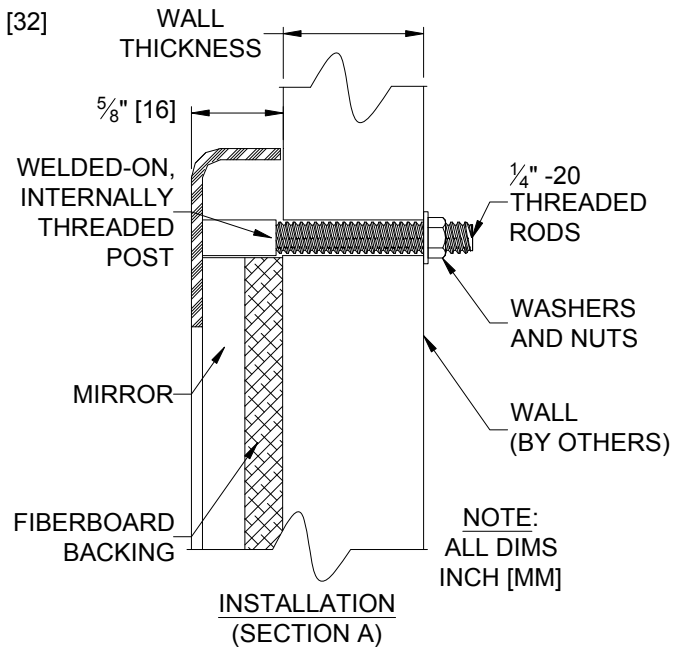
ISSUED: 01/87

REVISED: 09/11

CHASE MOUNTED SECURITY FRAMED MIRROR



ELEVATION



INSTALLATION (SECTION A)

NOTE:
 ALL DIMS
 INCH [MM]

SPECIFICATION

Chase Mounted Security Framed Mirror shall have frame of 14 gauge, type 304, alloy 18-8 stainless steel. Structural assembly of frame components shall be of welded construction with six (6) welded on internally threaded posts. All exposed surfaces shall be satin finish. Unit shall be provided with fiberboard backing. Glazing shall be as described in the Glazing Options chart. Mounting hardware shall be sized and supplied as indicated in the installation wall thickness chart.

Chase Mounted Security Framed Mirror shall be Model № 101 as manufactured by American Specialties Inc., 441 Saw Mill River Road, Yonkers, New York 10701-4913

INSTALLATION

Unit is anchored through wall or partition using six (6) 1/4-20 threaded rods, washers & nuts (supplied). For compliance with ADA Accessibility Guidelines, bottom edge of reflecting surface should be installed 40" (1016) max, above finished floor. For proper installation hardware selection specify the wall thickness on which unit is to be mounted (indicate thickness of wall with check mark ✓ and specify length if over 8" (203).

UPTO 6" [152]	UP TO 8" [203]	OVER 8" [203] SPECIFY MAX	INCHES [MM]
---------------	----------------	---------------------------	-------------

GLAZING OPTIONS

Specify glazing option from chart below by adding code suffix to model number (i.e.101-14).

SUFFIX	MATERIAL	FINISH	IMAGE QUALITY
14	20 GAUGE TYPE 304 SS	№ 8 MIRROR POLISH	EXCELLENT
31	22 GAUGE STEEL	CHROME PLATED	EXCELLENT
13	1/4" [6] THICK TEMPERED GLASS	POLISHED MIRROR	GOOD
17	1/4" [6] THICK PLEXIGLASS	POLISHED MIRROR	EXCELLENT