



T&S BRASS AND BRONZE WORKS, INC.
 2 Saddleback Cove / P.O. Box 1088
 Travelers Rest, SC 29690

Model No.
059X

Item No.

Travelers Rest, SC: 800-476-4103 • Simi Valley, CA: 800-423-0150 • Fax: 864-834-3518 • www.tsbrass.com

This Space for Architect/Engineer Approval

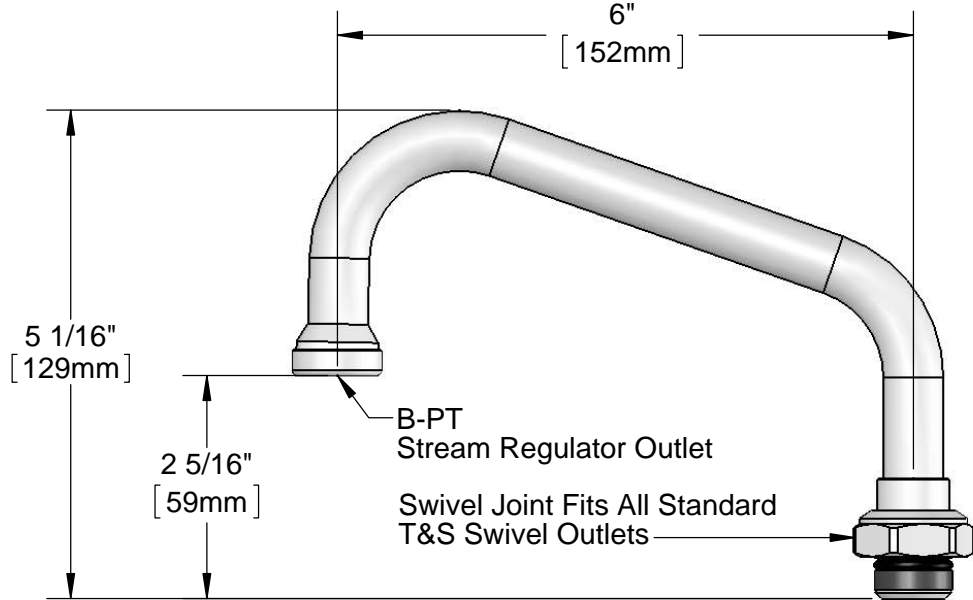
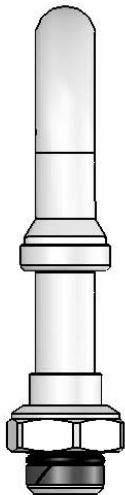
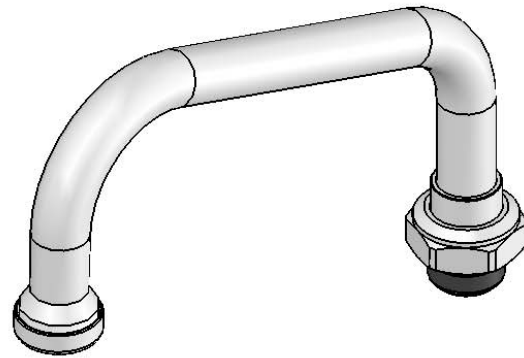
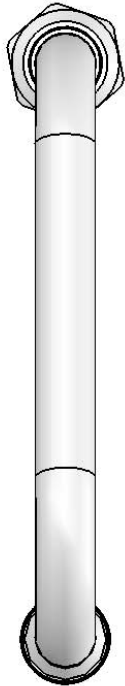
Job Name _____ Date _____

Model Specified _____ Quantity _____

Customer/Wholesaler _____

Contractor _____

Architect/Engineer _____



Product Specifications:
 6" Swing Nozzle w/ B-PT Stream Regulator Outlet

Drawn DHL	Checked DMH	Approved JHB
---------------------	-----------------------	------------------------

Scale: 1:2	Date: 03/18/13
----------------------	--------------------------



T&S BRASS AND BRONZE WORKS, INC.
 2 Saddleback Cove / P.O. Box 1088
 Travelers Rest, SC 29690

Model No.
060X

Item No.

Travelers Rest, SC: 800-476-4103 • Simi Valley, CA: 800-423-0150 • Fax: 864-834-3518 • www.tsbrass.com

This Space for Architect/Engineer Approval

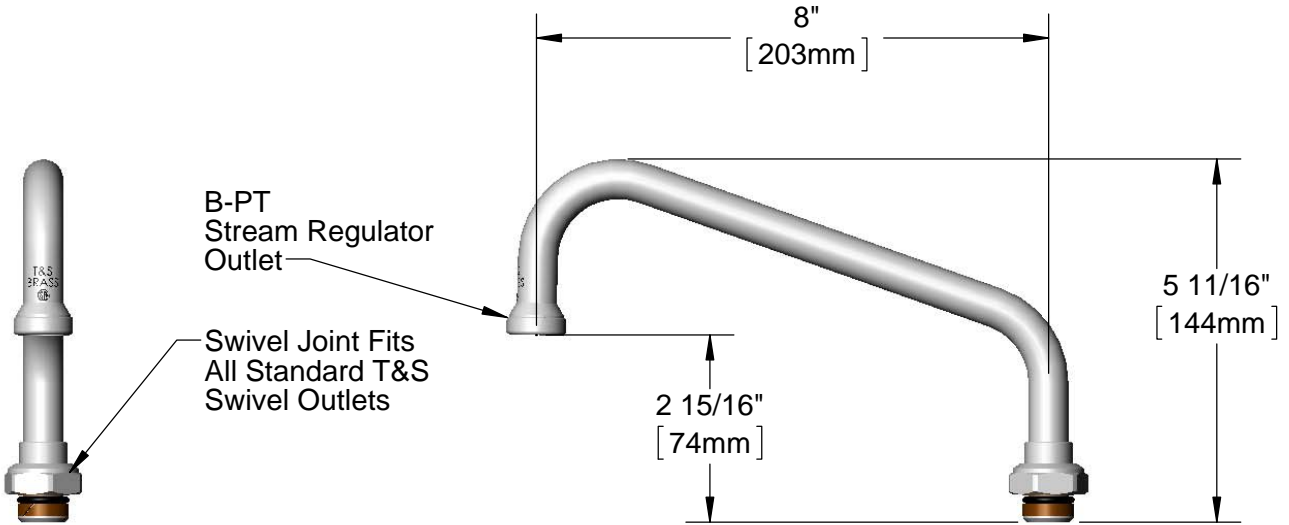
Job Name _____ Date _____

Model Specified _____ Quantity _____

Customer/Wholesaler _____

Contractor _____

Architect/Engineer _____



Product Specifications:

8" Swing Nozzle w/ B-PT Stream Regulator

Drawn

KJG

Checked

JRM

Approved

JHB

Scale:

1:3

Date:

05/30/12



T&S BRASS AND BRONZE WORKS, INC.
 2 Saddleback Cove / P.O. Box 1088
 Travelers Rest, SC 29690

Model No.
061X

Item No.

Travelers Rest, SC: 800-476-4103 • Simi Valley, CA: 800-423-0150 • Fax: 864-834-3518 • www.tsbrass.com

This Space for Architect/Engineer Approval

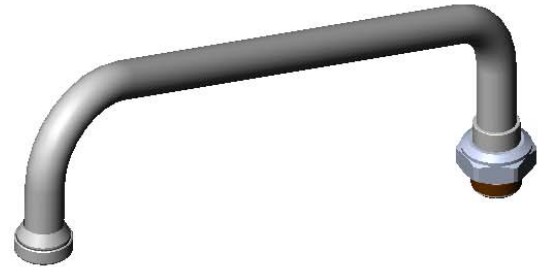
Job Name _____ Date _____

Model Specified _____ Quantity _____

Customer/Wholesaler _____

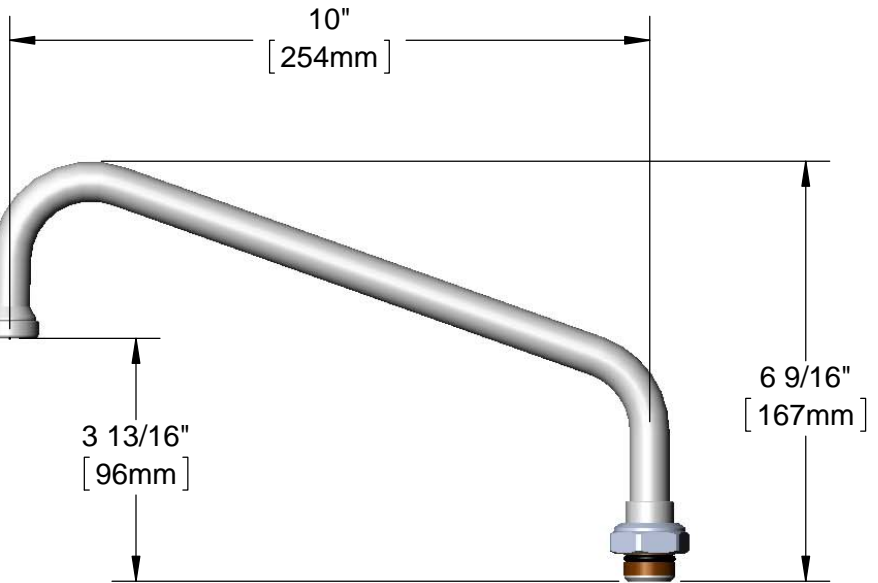
Contractor _____

Architect/Engineer _____



B-PT
Stream Regulator
Outlet

Swivel Nut Fits
All Standard T&S
Swivel Outlets



Product Specifications:

10" Swing Nozzle w/ Stream Regulator Outlet

Drawn

KJG

Checked

DHL

Approved

JHB

Scale:

1:3

Date:

05/30/12



T&S BRASS AND BRONZE WORKS, INC.
 2 Saddleback Cove / P.O. Box 1088
 Travelers Rest, SC 29690

Model No.
062X

Item No.

Travelers Rest, SC: 800-476-4103 • Simi Valley, CA: 800-423-0150 • Fax: 864-834-3518 • www.tsbrass.com

This Space for Architect/Engineer Approval

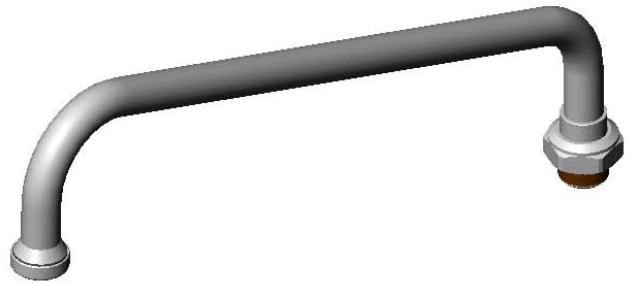
Job Name _____ Date _____

Model Specified _____ Quantity _____

Customer/Wholesaler _____

Contractor _____

Architect/Engineer _____



B-PT
Stream Regulator
Outlet

Swivel Nut Fits
All Standard T&S
Swivel Outlets



Product Specifications:
 12" Swivel Nozzle w/ Stream Regulator Outlet

Drawn KJG	Checked DHL	Approved JHB
Scale: 1:3		Date: 05/30/12



T&S BRASS AND BRONZE WORKS, INC.
 2 Saddleback Cove / P.O. Box 1088
 Travelers Rest, SC 29690

Model No.
063X

Item No.

Travelers Rest, SC: 800-476-4103 • Simi Valley, CA: 800-423-0150 • Fax: 864-834-3518 • www.tsbrass.com

This Space for Architect/Engineer Approval

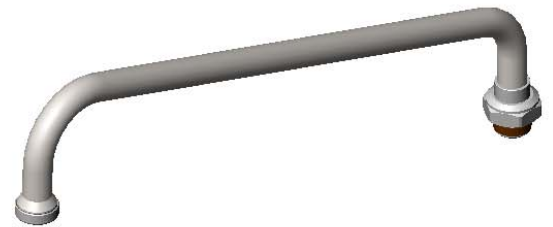
Job Name _____ Date _____

Model Specified _____ Quantity _____

Customer/Wholesaler _____

Contractor _____

Architect/Engineer _____



Product Specifications:

14" Swing Nozzle w/ Stream Regulator Outlet

Drawn KJG	Checked DHL	Approved JHB
Scale: 1:4		Date: 05/30/12



T&S BRASS AND BRONZE WORKS, INC.
 2 Saddleback Cove / P.O. Box 1088
 Travelers Rest, SC 29690

Model No.
064X

Item No.

Travelers Rest, SC: 800-476-4103 • Simi Valley, CA: 800-423-0150 • Fax: 864-834-3518 • www.tsbrass.com

This Space for Architect/Engineer Approval

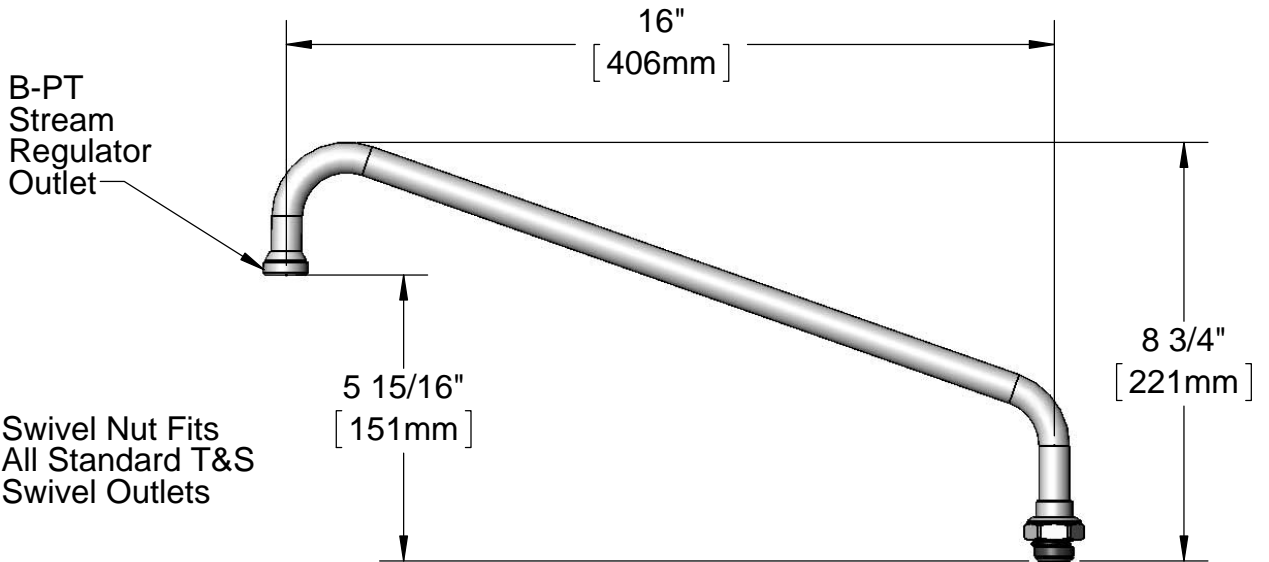
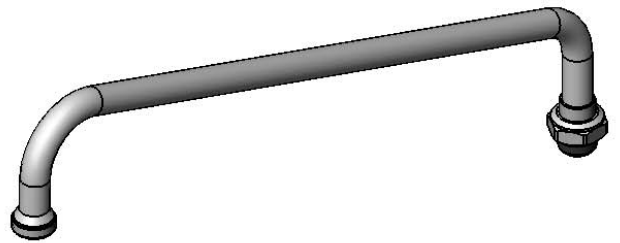
Job Name _____ Date _____

Model Specified _____ Quantity _____

Customer/Wholesaler _____

Contractor _____

Architect/Engineer _____



Product Specifications:
 16" Swing Nozzle w/ Stream Regulator Outlet

Drawn DHL	Checked DMH	Approved JHB
Scale: 1:4		Date: 08/27/12



T&S BRASS AND BRONZE WORKS, INC.
 2 Saddleback Cove / P.O. Box 1088
 Travelers Rest, SC 29690

Model No.
065X

Item No.

Travelers Rest, SC: 800-476-4103 • Simi Valley, CA: 800-423-0150 • Fax: 864-834-3518 • www.tsbrass.com

This Space for Architect/Engineer Approval

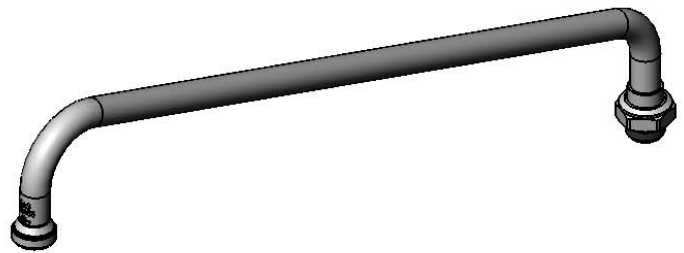
Job Name _____ Date _____

Model Specified _____ Quantity _____

Customer/Wholesaler _____

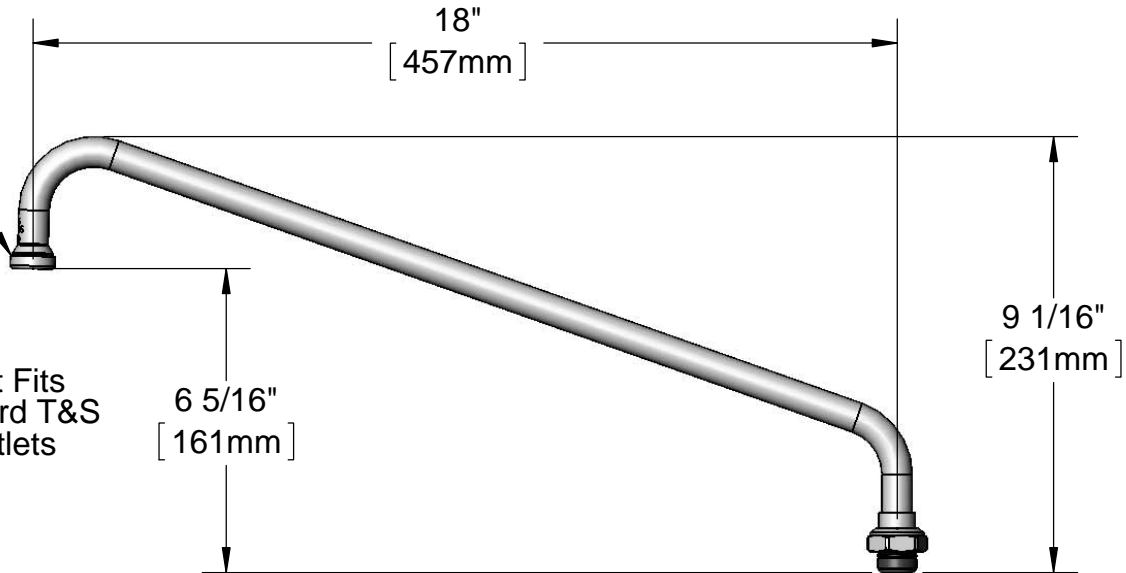
Contractor _____

Architect/Engineer _____



B-PT
Stream
Regulator
Outlet

Swivel Nut Fits
All Standard T&S
Swivel Outlets



Product Specifications:
 18" Swing Nozzle w/ Stream Regulator Outlet

Drawn DHL	Checked DMH	Approved JHB
---------------------	-----------------------	------------------------

Scale: 1:4	Date: 08/27/12
----------------------	--------------------------