

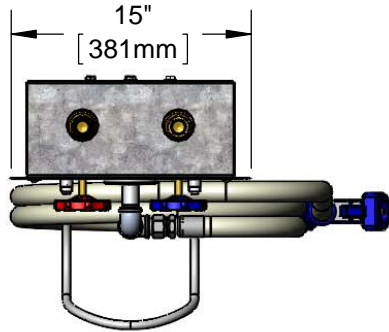


T&S BRASS AND BRONZE WORKS, INC.
 2 Saddleback Cove / P.O. Box 1088
 Travelers Rest, SC 29690

Model No.
MV-0771-12R

Item No.

Travelers Rest, SC: 800-476-4103 • Simi Valley, CA: 800-423-0150 • Fax: 864-834-3518 • www.tsbrass.com



This Space for Architect/Engineer Approval

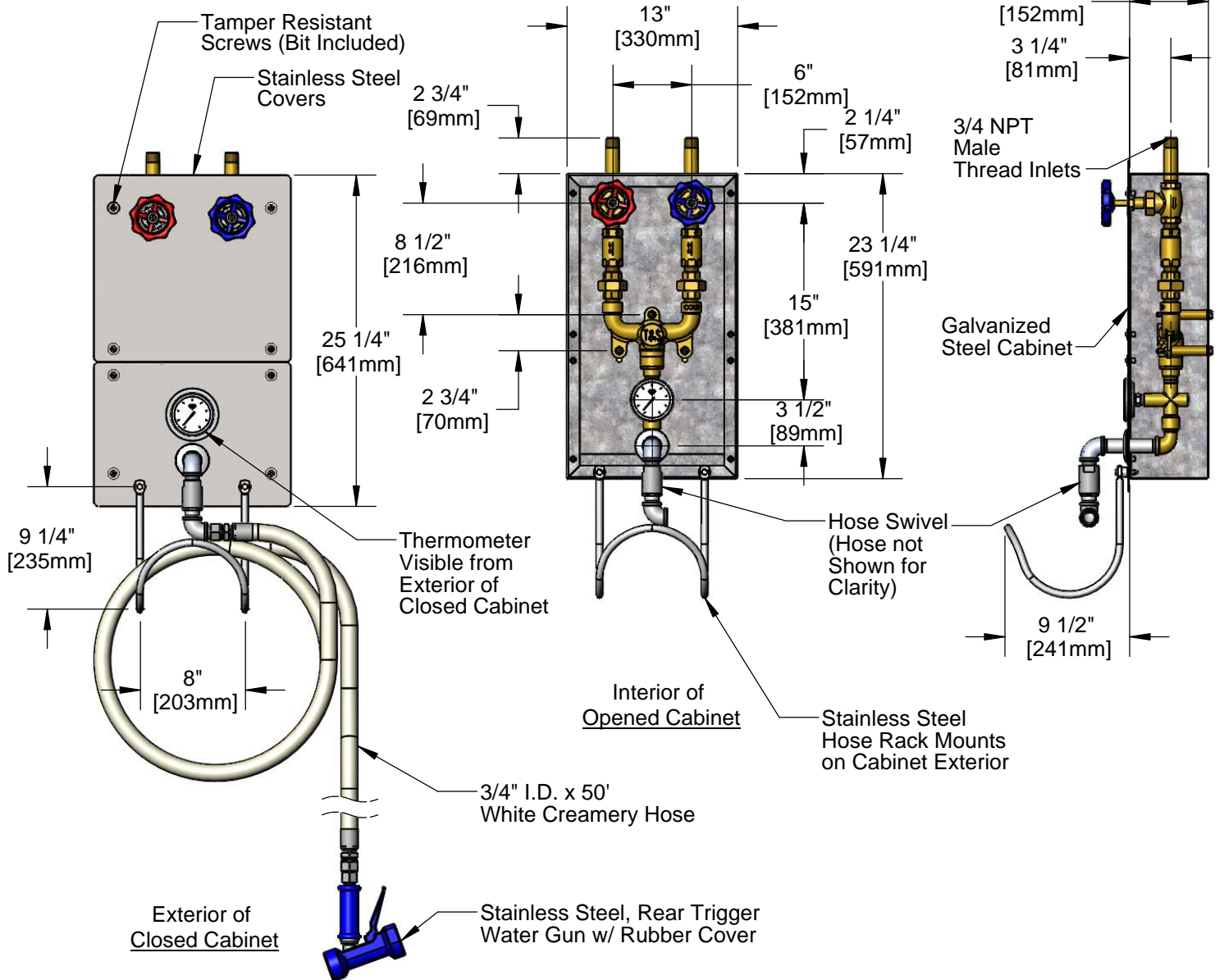
Job Name _____ Date _____

Model Specified _____ Quantity _____

Customer/Wholesaler _____

Contractor _____

Architect/Engineer _____



Product Specifications:
 Recessed Cabinet and Washdown Station w/ Thermometer, Mixing Valve with 3/4" NPT Male Thread Inlets, 50 Ft. Hose, Stainless Steel Water Gun & Hose Rack

Product Compliance:
 NSF 61 Exempt (Non-Potable)



T&S BRASS AND BRONZE WORKS, INC.

2 Saddleback Cove / P.O. Box 1088
Travelers Rest, SC 29690

Model No.

MV-0771-12R

Item No.

Travelers Rest, SC: 800-476-4103 • Simi Valley, CA: 800-423-0150 • Fax: 864-834-3518 • www.tsbrass.com

	Item No.	Sales No.	Description
	1	006667-45	Recessed Cabinet
	2	005401-20	Spacer, Long
	3	006648-20R	3/4" Globe Valve, Red Handle
	4	006648-20B	3/4" Globe Valve, Blue Handle
	5	B-CVV3-4	3/4" Check Valve
	6	006650-20	3/4" Union
	7	015456-20	Outlet Nipple
	8	003799-45	Thermometer, Bi-Metal
	9	004530-40	3/4" Nipple x 4"
	10	004831-40	Escutcheon, 3/4"
	11	001720-40	3/4" Cast Elbow, Female
	12	006653-45	Gasket
	13	006510-20	Diffuser
	14	009163-20	Thermometer Tee, 3/4"
	15	007252-25	Swivel
	16	002721-45	O-ring
	17	004980-40	Hose, 3/4" x 50 Ft.
	18	MV-2516-44	SS Water Gun, 9/16" Orifice
	19	006660-45	Top Cover
	20	005395-45	Bottom Cover
	21	014741-45	Tamper Resistant Screw
	22	002970-45	Hose Rack

017511-45
Bit for Tamper
Resistant
Screws

Product Specifications:
Recessed Cabinet and Washdown Station w/ Thermometer, Mixing Valve with 3/4" NPT Male Thread Inlets, 50 Ft. Hose, Stainless Steel Water Gun & Hose Rack

Product Compliance:
NSF 61 Exempt (Non-Potable)