



T&S BRASS AND BRONZE WORKS, INC.
 2 Saddleback Cove / P.O. Box 1088
 Travelers Rest, SC 29690

Model No.
MV-0771-12N-BVT

Item No.

Travelers Rest, SC: 800-476-4103 • Simi Valley, CA: 800-423-0150 • Fax: 864-834-3518 • www.tsbrass.com

This Space for Architect/Engineer Approval

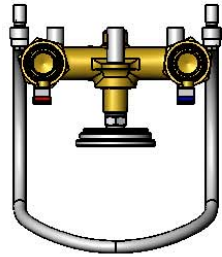
Job Name _____ Date _____

Model Specified _____ Quantity _____

Customer/Wholesaler _____

Contractor _____

Architect/Engineer _____

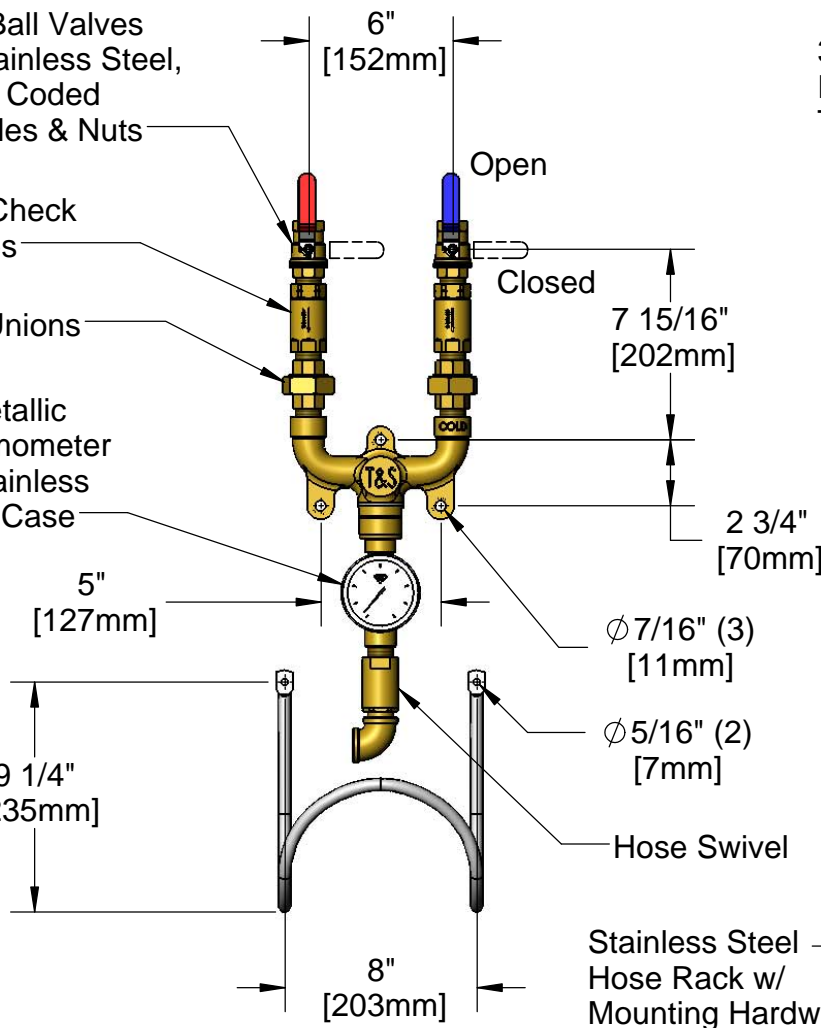


3/4" Ball Valves
 w/ Stainless Steel,
 Color Coded
 Handles & Nuts

3/4" Check
 Valves

3/4" Unions

Bi-Metallic
 Thermometer
 w/ Stainless
 Steel Case



3/4" NPT
 Female
 Thread Inlets

1 1/2"
 [38mm]

14 3/16"
 [361mm]

Wall

Product Specifications:
 3/4" NPT Natural Finish Washdown Station w/ Ball Valves, Check Valves,
 Thermometer, Hose Swivel & Stainless Steel Hose Rack

Product Compliance:
 NSF 61 Exempt (Non-Potable)



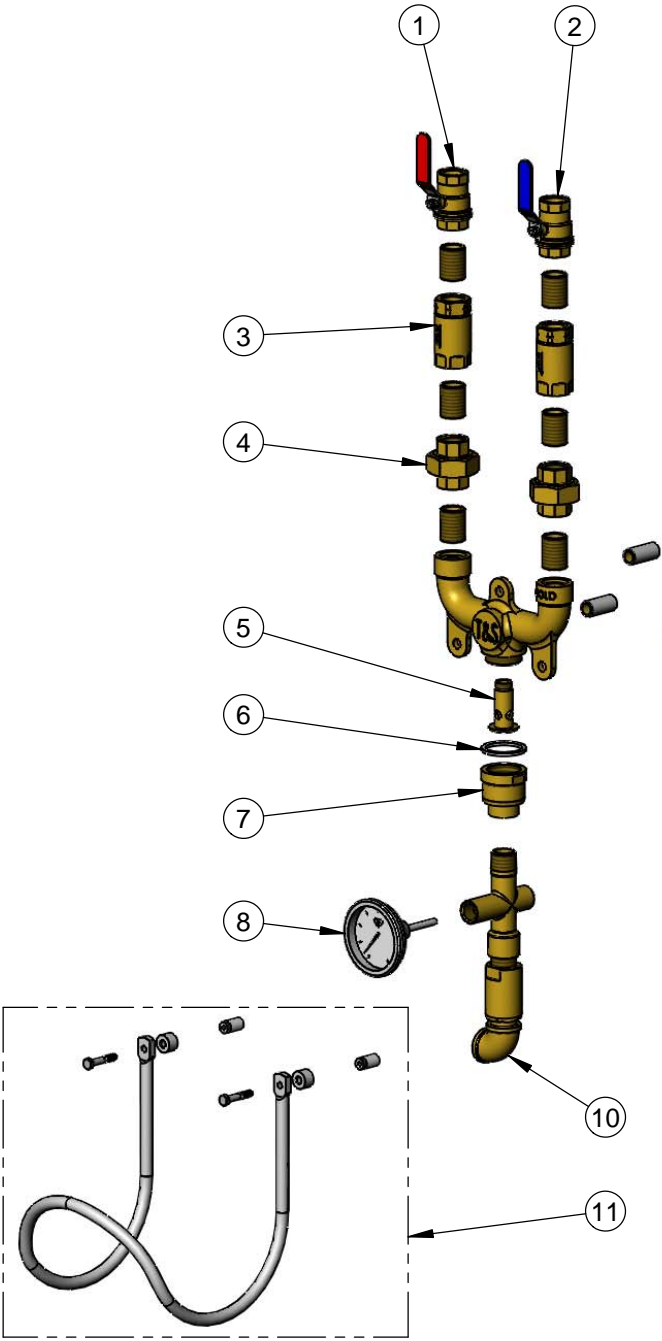
T&S BRASS AND BRONZE WORKS, INC.
 2 Saddleback Cove / P.O. Box 1088
 Travelers Rest, SC 29690

Model No.
MV-0771-12N-BVT

Item No.

Travelers Rest, SC: 800-476-4103 • Simi Valley, CA: 800-423-0150 • Fax: 864-834-3518 • www.tsbrass.com

ITEM NO.	SALES NO.	DESCRIPTION
1	017487-45R	Ball Valve, 3/4" - Red Handle
2	017487-45B	Ball Valve, 3/4" - Blue Handle
3	B-CVH3-4	3/4" Check Valve
4	006650-20	Union, 3/4" 250#
5	006510-20	Diffuser
6	006653-45	Gasket, Outlet Nipple
7	015456-20	Nipple, Outlet
8	003799-45	Thermometer, Bi-Metal
9	006509-25	Spacer, 1-1/2 Long
10	005266-20	Washdown Swivel Asm, 3/4"
11	002970-45	Hose Rack



Product Specifications:
 3/4" NPT Natural Finish Washdown Station w/ Ball Valves, Check Valves, Thermometer, Hose Swivel & Stainless Steel Hose Rack

Product Compliance:
 NSF 61 Exempt (Non-Potable)