



T&S BRASS AND BRONZE WORKS, INC.
 2 Saddleback Cove / P.O. Box 1088
 Travelers Rest, SC 29690

Model No.
119X

Item No.

Travelers Rest, SC: 800-476-4103 • Simi Valley, CA: 800-423-0150 • Fax: 864-834-3518 • www.tsbrass.com

This Space for Architect/Engineer Approval

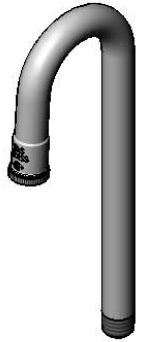
Job Name _____ Date _____

Model Specified _____ Quantity _____

Customer/Wholesaler _____

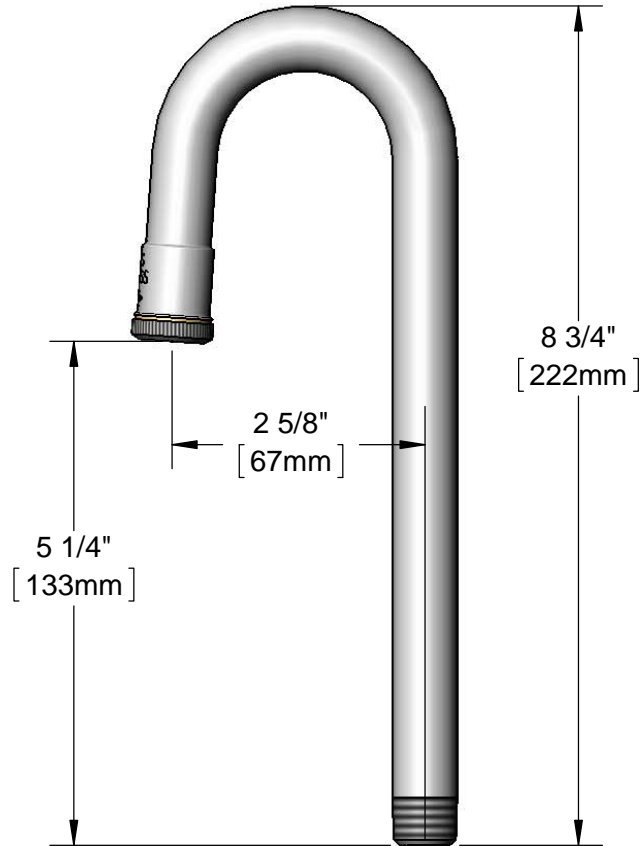
Contractor _____

Architect/Engineer _____



B-LT
Stream Regulator
Outlet

3/8" NPT
Male Thread



5 1/4"
[133mm]

2 5/8"
[67mm]

8 3/4"
[222mm]

Product Specifications:
 Rigid Gooseneck w/ 2 5/8" Spread & Stream Regulator Outlet

Drawn
KJG

Checked
DMH

Approved
JHB

Scale:
1:2

Date:
10/04/13



T&S BRASS AND BRONZE WORKS, INC.
 2 Saddleback Cove / P.O. Box 1088
 Travelers Rest, SC 29690

Model No.
120X

Item No.

Travelers Rest, SC: 800-476-4103 • Simi Valley, CA: 800-423-0150 • Fax: 864-834-3518 • www.tsbrass.com

This Space for Architect/Engineer Approval

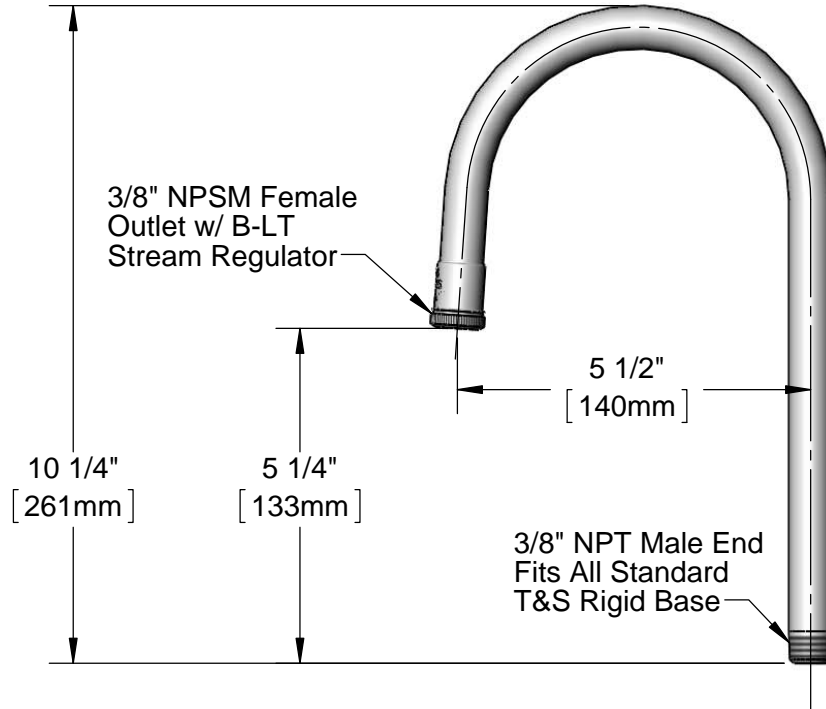
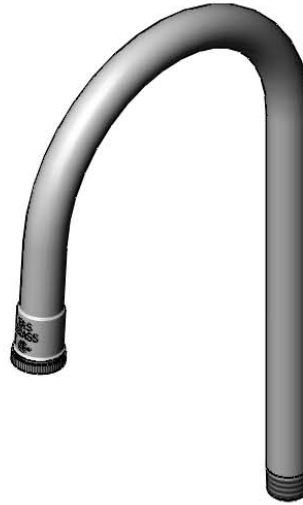
Job Name _____ Date _____

Model Specified _____ Quantity _____

Customer/Wholesaler _____

Contractor _____

Architect/Engineer _____



Product Specifications:
 120X Rigid Gooseneck w/ Stream Regulator Outlet

Drawn DHL	Checked DMH	Approved JHB
Scale: 1:3		Date: 03/18/13



T&S BRASS AND BRONZE WORKS, INC.
 2 Saddleback Cove / P.O. Box 1088
 Travelers Rest, SC 29690

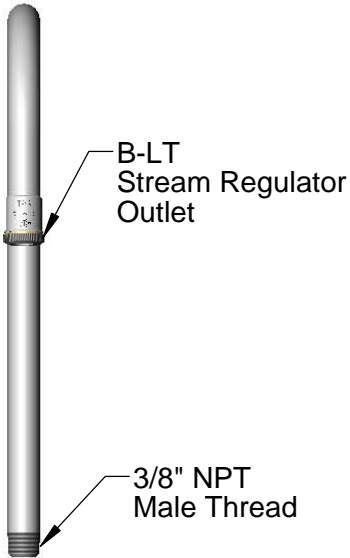
Model No.
122X

Item No.

Travelers Rest, SC: 800-476-4103 • Simi Valley, CA: 800-423-0150 • Fax: 864-834-3518 • www.tsbrass.com

This Space for Architect/Engineer Approval

Job Name _____ Date _____
 Model Specified _____ Quantity _____
 Customer/Wholesaler _____
 Contractor _____
 Architect/Engineer _____



Product Specifications:
 Rigid Gooseneck w/ 5 1/2" Spread & Stream Regulator Outlet

Drawn KJG	Checked DMH	Approved JHB
Scale: 1:4		Date: 10/04/13



T&S BRASS AND BRONZE WORKS, INC.
 2 Saddleback Cove / P.O. Box 1088
 Travelers Rest, SC 29690

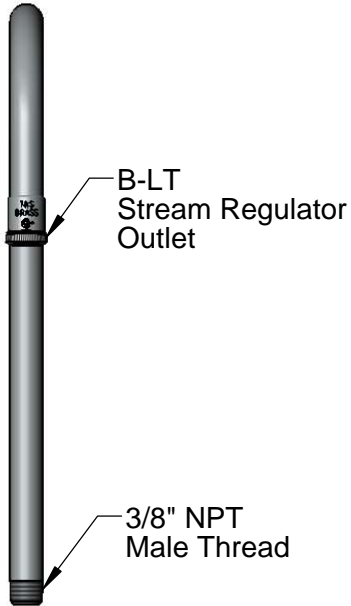
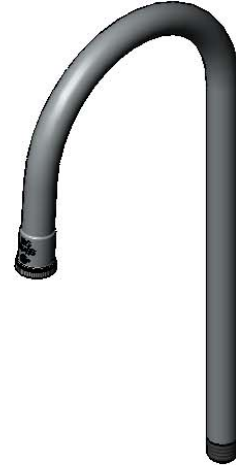
Model No.
123X

Item No.

Travelers Rest, SC: 800-476-4103 • Simi Valley, CA: 800-423-0150 • Fax: 864-834-3518 • www.tsbrass.com

This Space for Architect/Engineer Approval

Job Name _____ Date _____
 Model Specified _____ Quantity _____
 Customer/Wholesaler _____
 Contractor _____
 Architect/Engineer _____



Product Specifications:
 Rigid Gooseneck w/ 5 1/2" Spread & Stream Regulator Outlet

Drawn KJG	Checked DMH	Approved JHB
Scale: 1:4		Date: 10/04/13



T&S BRASS AND BRONZE WORKS, INC.
 2 Saddleback Cove / P.O. Box 1088
 Travelers Rest, SC 29690

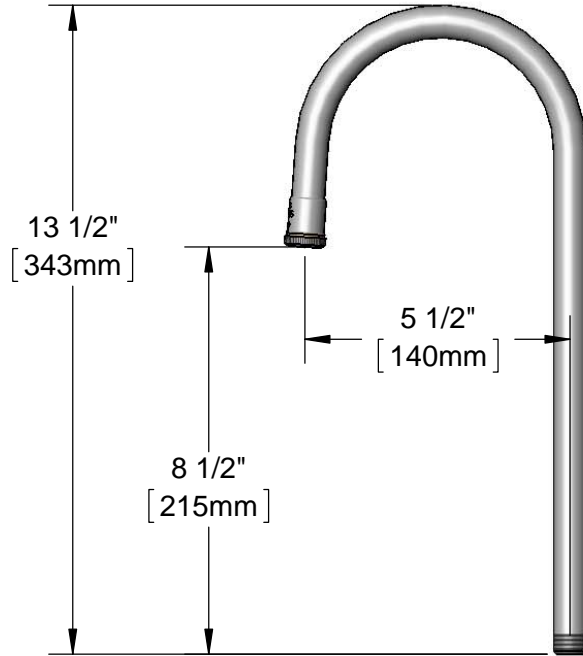
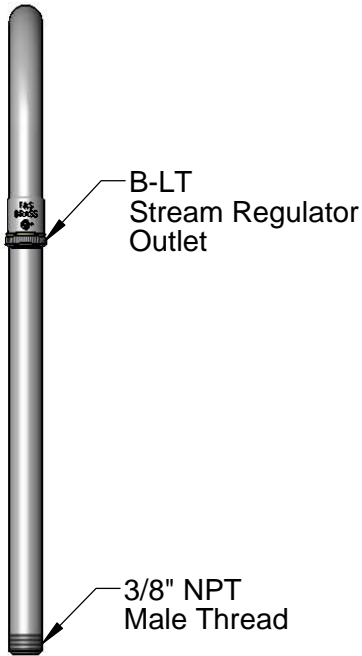
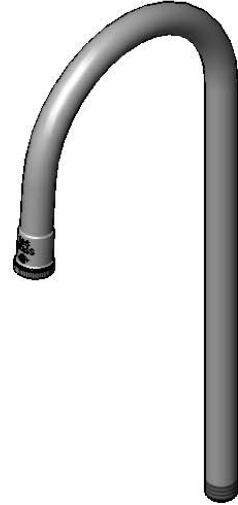
Model No.
124X

Item No.

Travelers Rest, SC: 800-476-4103 • Simi Valley, CA: 800-423-0150 • Fax: 864-834-3518 • www.tsbrass.com

This Space for Architect/Engineer Approval

Job Name _____ Date _____
 Model Specified _____ Quantity _____
 Customer/Wholesaler _____
 Contractor _____
 Architect/Engineer _____



Product Specifications:
 Rigid Gooseneck w/ 5 1/2" Spread & Stream Regulator Outlet

Drawn KJG	Checked DMH	Approved JHB
Scale: 1:4		Date: 10/04/13



T&S BRASS AND BRONZE WORKS, INC.
 2 Saddleback Cove / P.O. Box 1088
 Travelers Rest, SC 29690

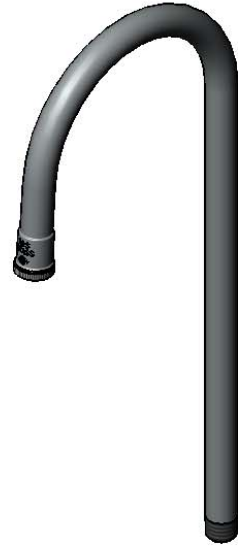
Model No.
125X

Item No.

Travelers Rest, SC: 800-476-4103 • Simi Valley, CA: 800-423-0150 • Fax: 864-834-3518 • www.tsbrass.com

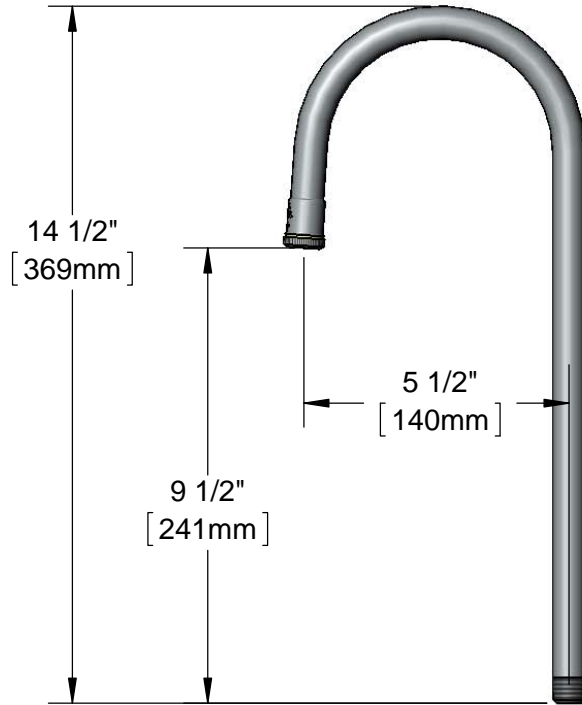
This Space for Architect/Engineer Approval

Job Name _____ Date _____
 Model Specified _____ Quantity _____
 Customer/Wholesaler _____
 Contractor _____
 Architect/Engineer _____



B-LT
Stream Regulator
Outlet

3/8" NPT
Male Thread



Product Specifications:
 Rigid Gooseneck w/ 5 1/2" Spraed & Stream Regulator Outlet

Drawn
KJG

Checked
DMH

Approved
JHB

Scale:
1:4

Date:
10/04/13



T&S BRASS AND BRONZE WORKS, INC.
 2 Saddleback Cove / P.O. Box 1088
 Travelers Rest, SC 29690

Model No.
126X

Item No.

Travelers Rest, SC: 800-476-4103 • Simi Valley, CA: 800-423-0150 • Fax: 864-834-3518 • www.tsbrass.com

This Space for Architect/Engineer Approval

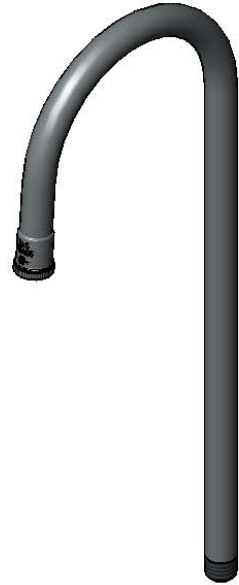
Job Name _____ Date _____

Model Specified _____ Quantity _____

Customer/Wholesaler _____

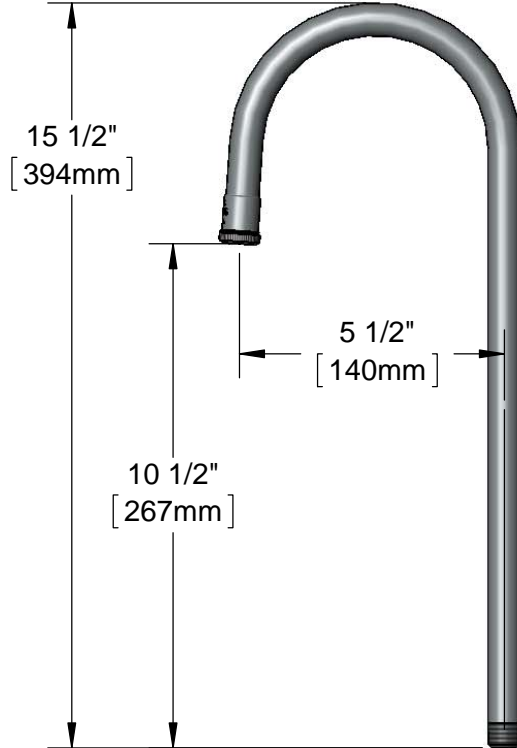
Contractor _____

Architect/Engineer _____



B-LT
Stream Regulator
Outlet

3/8" NPT
Male Thread



Product Specifications:
 Rigid Gooseneck w/ 5 1/2" Spread & Stream Regulator Outlet

Drawn KJG	Checked DMH	Approved JHB
Scale: 1:4		Date: 10/04/13



T&S BRASS AND BRONZE WORKS, INC.
 2 Saddleback Cove / P.O. Box 1088
 Travelers Rest, SC 29690

Model No.
127X

Item No.

Travelers Rest, SC: 800-476-4103 • Simi Valley, CA: 800-423-0150 • Fax: 864-834-3518 • www.tsbrass.com

This Space for Architect/Engineer Approval

Job Name _____ Date _____

Model Specified _____ Quantity _____

Customer/Wholesaler _____

Contractor _____

Architect/Engineer _____



B-LT
Stream Regulator
Outlet

3/8" NPT
Male Thread



Product Specifications:
 Rigid Gooseneck w/ 7 5/8" Spread & Stream Regulator Outlet

Drawn
KJG

Checked
DMH

Approved
JHB

Scale:
1:4

Date:
10/04/13



T&S BRASS AND BRONZE WORKS, INC.
 2 Saddleback Cove / P.O. Box 1088
 Travelers Rest, SC 29690

Model No.
128X

Item No.

Travelers Rest, SC: 800-476-4103 • Simi Valley, CA: 800-423-0150 • Fax: 864-834-3518 • www.tsbrass.com

This Space for Architect/Engineer Approval

Job Name _____ Date _____

Model Specified _____ Quantity _____

Customer/Wholesaler _____

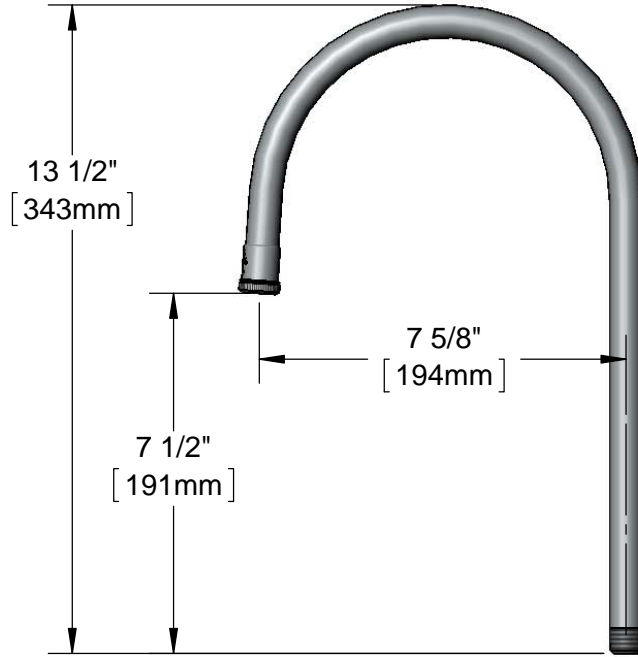
Contractor _____

Architect/Engineer _____



B-LT
 Stream Regulator
 Outlet

3/8" NPT
 Male Thread



Product Specifications:
 Rigid Gooseneck w/ 7 5/8" Spread & Stream Regulator Outlet

Drawn
KJG

Checked
DMH

Approved
JHB

Scale:
1:4

Date:
10/04/13



T&S BRASS AND BRONZE WORKS, INC.
 2 Saddleback Cove / P.O. Box 1088
 Travelers Rest, SC 29690

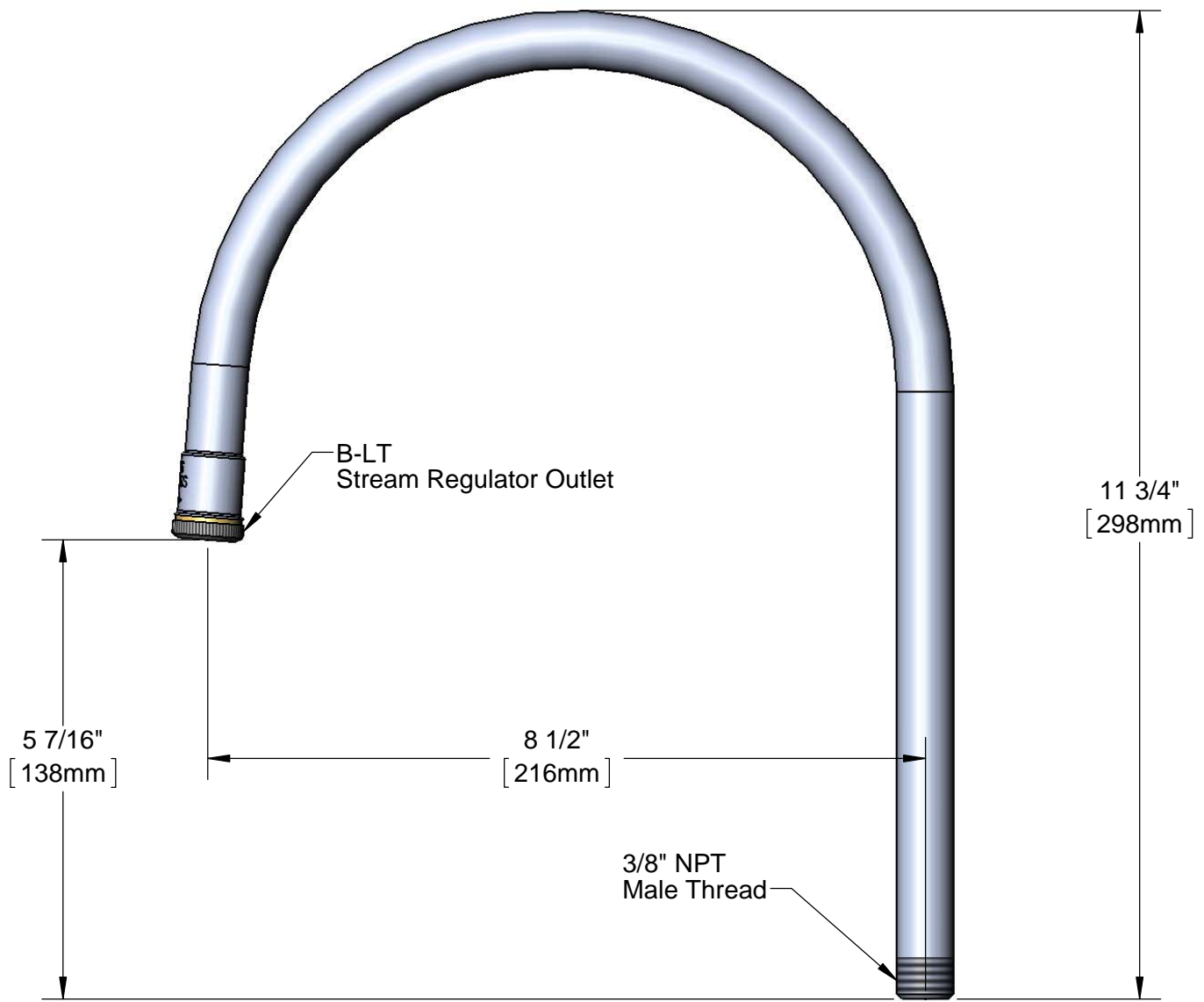
Model No.
129X

Item No.

Travelers Rest, SC: 800-476-4103 • Simi Valley, CA: 800-423-0150 • Fax: 864-834-3518 • www.tsbrass.com

This Space for Architect/Engineer Approval

Job Name _____ Date _____
 Model Specified _____ Quantity _____
 Customer/Wholesaler _____
 Contractor _____
 Architect/Engineer _____



Product Specifications:
 Rigid Gooseneck w/ Stream Regulator Outlet

Drawn DHL	Checked KJG	Approved JHB
Scale: 1:2		Date: 06/04/12



T&S BRASS AND BRONZE WORKS, INC.
 2 Saddleback Cove / P.O. Box 1088
 Travelers Rest, SC 29690

Model No.
130X

Item No.

Travelers Rest, SC: 800-476-4103 • Simi Valley, CA: 800-423-0150 • Fax: 864-834-3518 • www.tsbrass.com

This Space for Architect/Engineer Approval

Job Name _____ Date _____

Model Specified _____ Quantity _____

Customer/Wholesaler _____

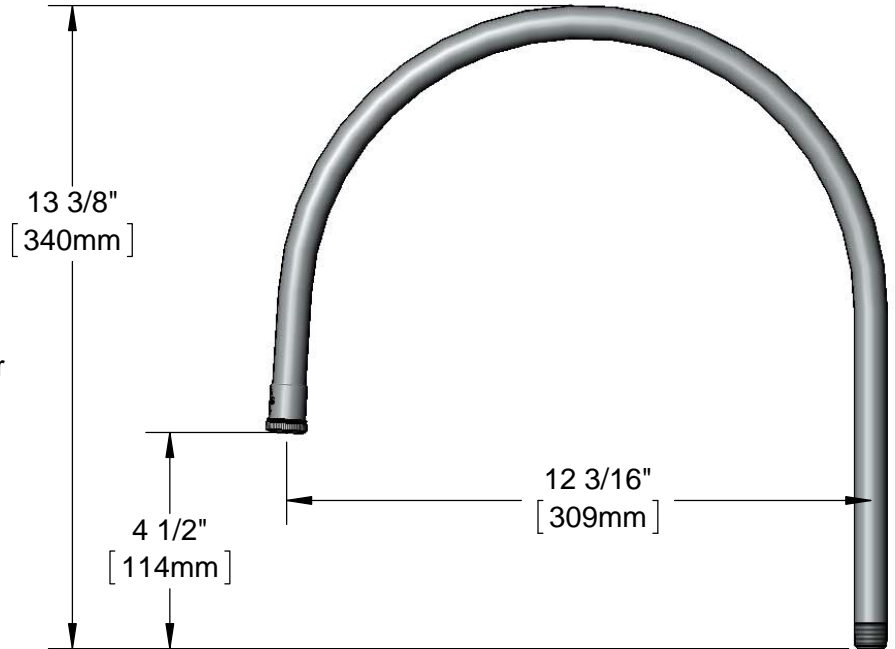
Contractor _____

Architect/Engineer _____



B-LT
Stream Regulator
Outlet

3/8" NPT
Male Thread



Product Specifications:
 Rigid Gooseneck w/ 12 3/16" Spread & Stream Regulator Outlet

Drawn
KJG

Checked
DMH

Approved
JHB

Scale:
1:4

Date:
10/04/13



T&S BRASS AND BRONZE WORKS, INC.

2 Saddleback Cove / P.O. Box 1088
Travelers Rest, SC 29690



REG. #A2601
ISO #9001

Model No.

165X

Item No.

Travelers Rest, SC: 800-476-4103 Simi Valley, CA: 800-423-0150 Fax: 864-834-3518 www.tsbrass.com

This Space for Architect/Engineer Approval

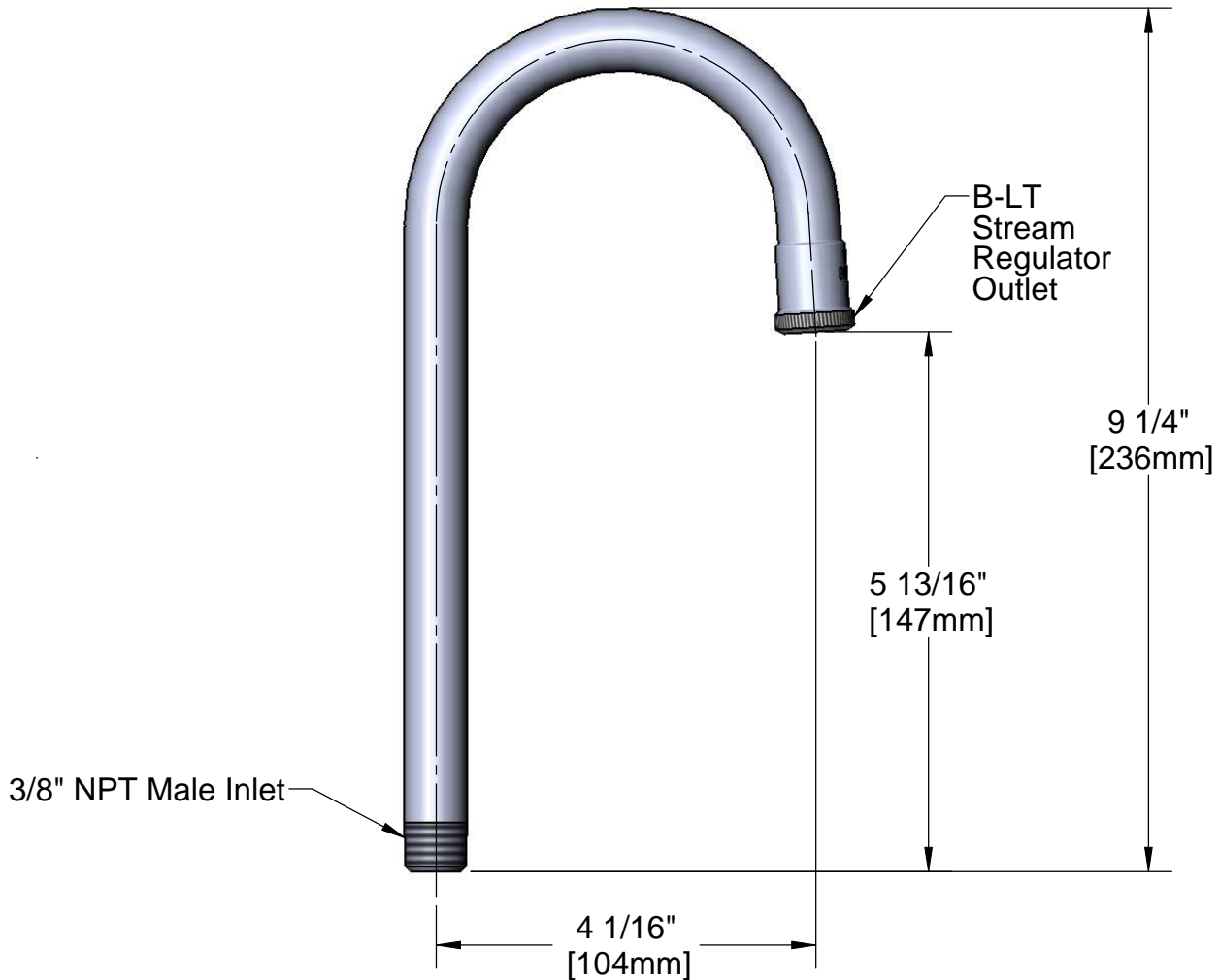
Job Name _____ Date _____

Model Specified _____ Quantity _____

Customer/Wholesaler _____

Contractor _____

Architect/Engineer _____



Product Specifications:
Rigid Gooseneck with Stream Regulator Outlet

Drawn DMH	Checked JRM	Approved JHB
Scale: 1:2		Date: 9/10/10