



T&S BRASS AND BRONZE WORKS, INC.
 2 SADDLEBACK COVE / P.O. BOX 1088 / TRAVELERS REST, SC 29690
 PHONE 800-476-4103 - FAX 864- 834-3518



Sales No.

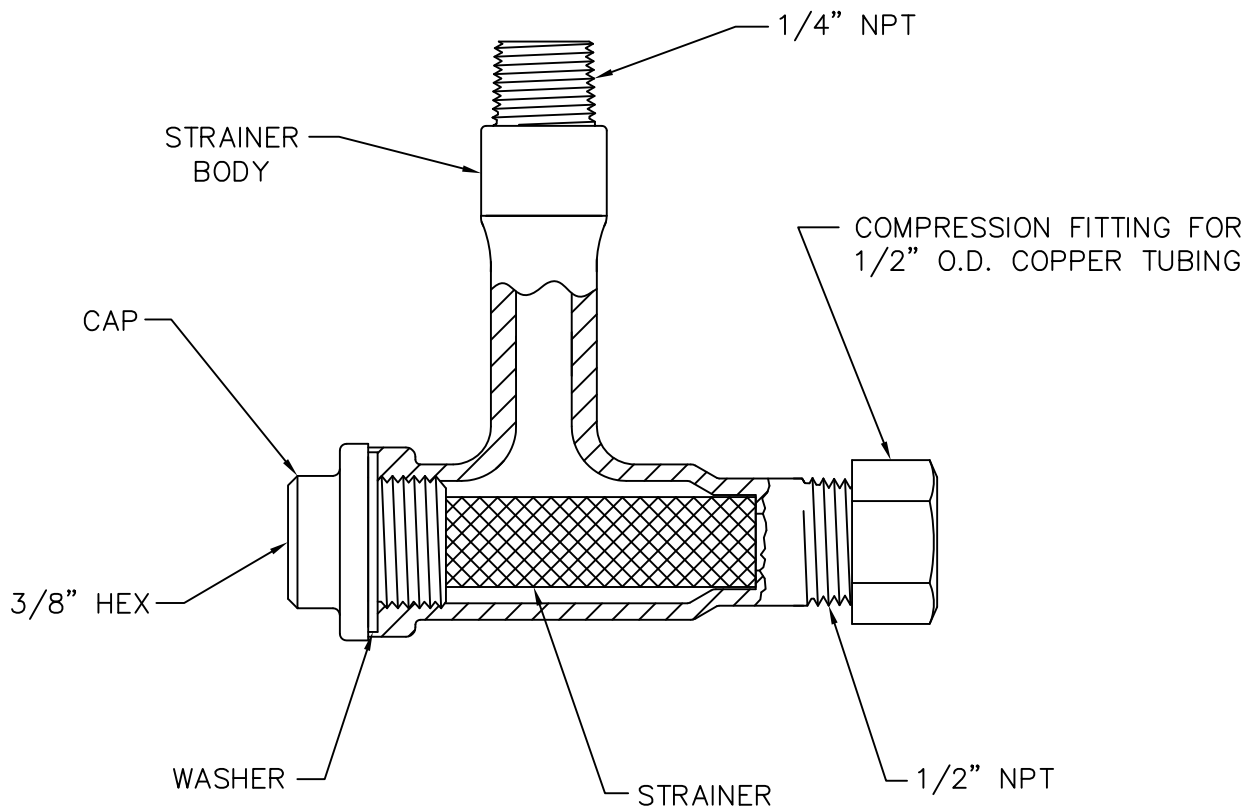
EW-SP509

**RELIABILITY
BUILT IN**

Job Name:

Architect/Engineer Approval:

Notes:



FULLY SERVICEABLE IN-LINE 50 X 50 MESH STRAINER

Product Description:
L - STRAINER

Drawn:	Checked	Scale:
DMH	GEF	1:1
Approved	Date:	
JHB	12/20/10	