



T&S BRASS AND BRONZE WORKS, INC.
 2 SADDLEBACK COVE / P.O. BOX 1088 / TRAVELERS REST, SC 29690
 PHONE 800-476-4103 FAX 864- 834-3518



Model No.

EB-2322

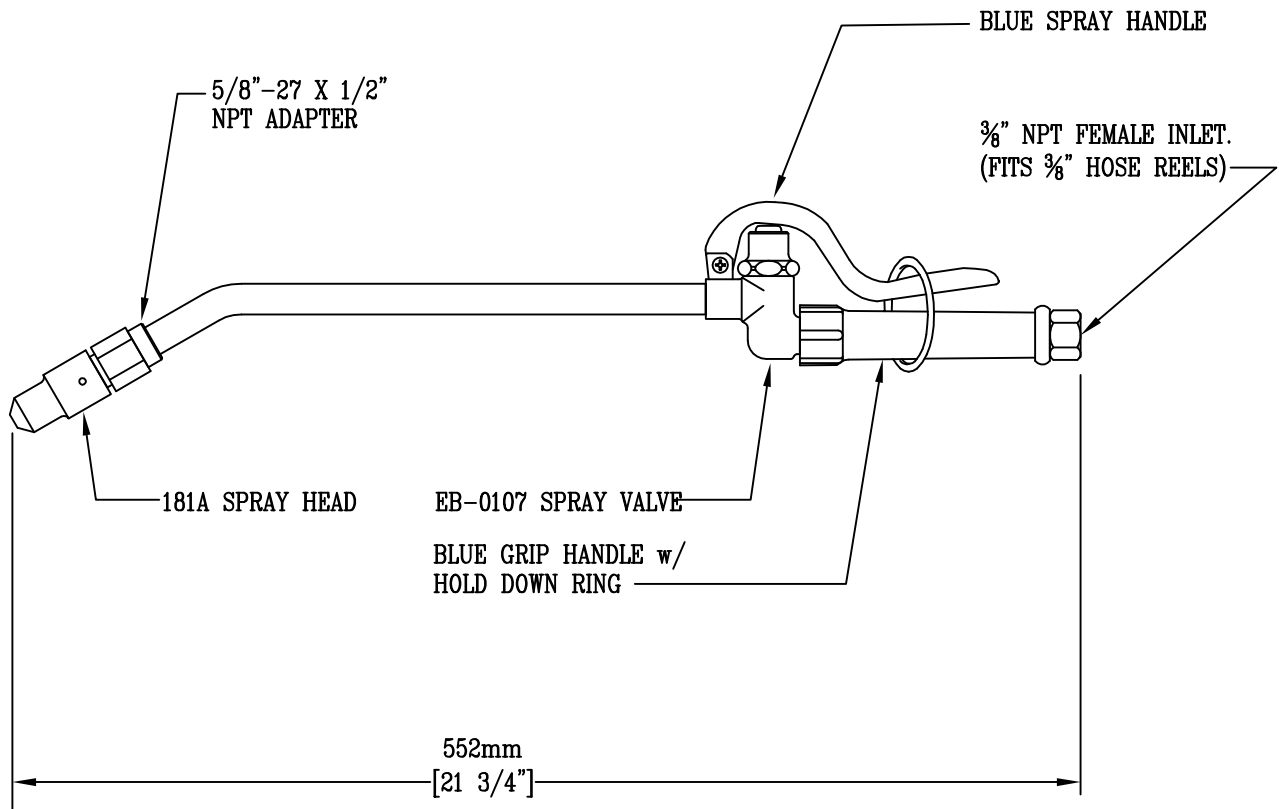
Item No.:

REG.#A2601
ISO #9002

Job Name:

Architect/Engineer Approval:

Notes:



Product Description:
 EXTENSION SPRAY VALVE UNIT WITH
 SELF-CLOSING SQUEEZE VALVE, EXTENDED
 HANDLE, & REMOVABLE SPRAY HEAD

Drawn:

WJS

Checked

JRM

Scale:

1 : 4

Approved

JHB

Date:

09/26/06



T&S BRASS AND BRONZE WORKS, INC.

2 Saddleback Cove / P.O. Box 1088
Travelers Rest, SC 29690



REG. #A2601
ISO #9001

Model No.
EB-2322-QD

Item No.

Travelers Rest, SC: 800-476-4103 Simi Valley, CA: 800-423-0150 Fax: 864-834-3518 www.tsbrass.com

This Space for Architect/Engineer Approval

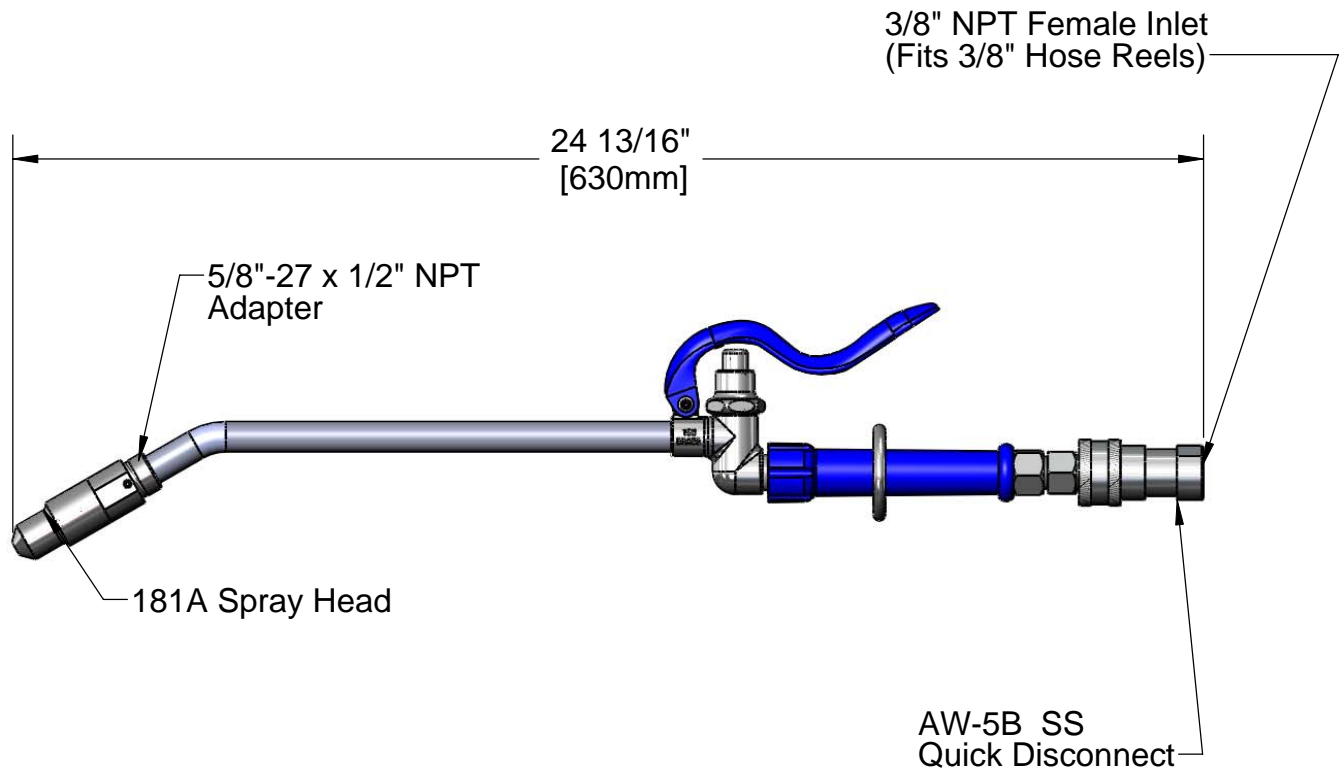
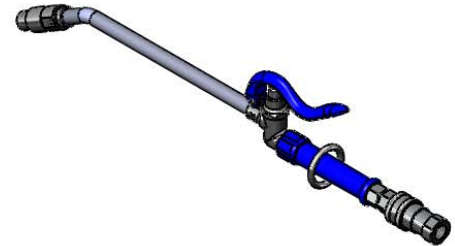
Job Name _____ Date _____

Model Specified _____ Quantity _____

Customer/Wholesaler _____

Contractor _____

Architect/Engineer _____



Product Specifications:

**Extension Spray Valve w/ Self-Closing
Spray Valve, Extended Handle, Removable Spray Head
& SS Quick Disconnect**

| | | |
|----------------------|-----------------------|--------------------------|
| Drawn JRM | Checked DMH | Approved JHB |
| Scale: 1:4 | | Date: 05/03/10 |



T&S BRASS AND BRONZE WORKS, INC.

2 Saddleback Cove / P.O. Box 1088
Travelers Rest, SC 29690



REG. #A2601
ISO #9001

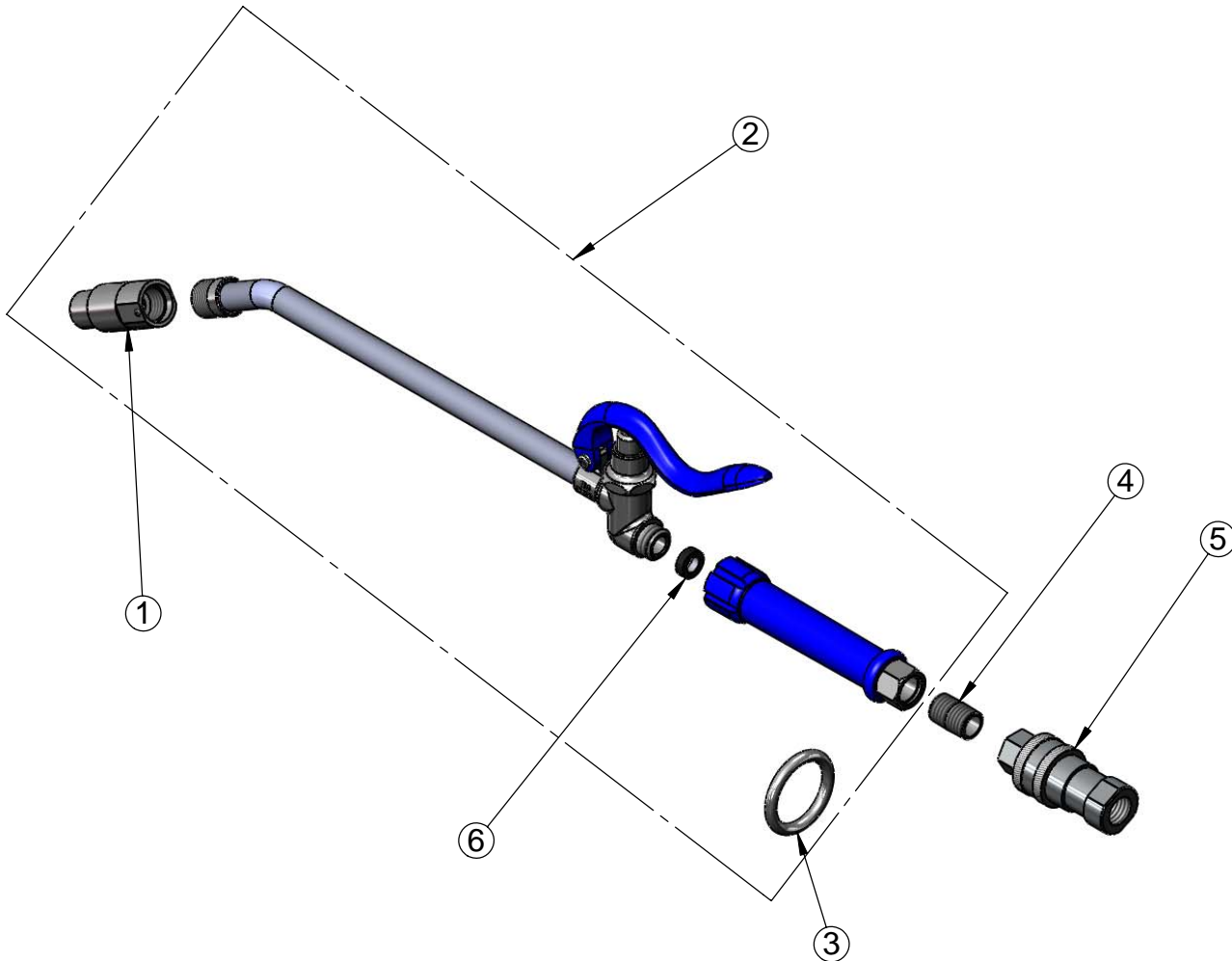
Model No.

EB-2322-QD

Item No.

Travelers Rest, SC: 800-476-4103 Simi Valley, CA: 800-423-0150 Fax: 864-834-3518 www.tsbrass.com

| ITEM NO. | SALES NO. | DESCRIPTION |
|----------|-----------|----------------------------|
| 1 | 181A | Shower Head |
| 2 | EB-2322 | Extended Wand Spray Valve |
| 3 | 000907-45 | Hold Down Ring Assembly |
| 4 | 002535-25 | 3/8" NPT Close Nipple |
| 5 | AW-5B | 3/8" NPT Socket/Plug QD SS |
| 6 | 010476-45 | #27 Washer |



Product Specifications:

Extension Spray Valve w/ Self-Closing
Spray Valve, Extended Handle, Removable Spray Head
& SS Quick Disconnect

Drawn

JRM

Checked

DMH

Approved

JHB

Scale:

1:4

Date:

05/03/10