



T&S BRASS AND BRONZE WORKS, INC.

2 Saddleback Cove / P.O. Box 1088
Travelers Rest, SC 29690



REG. #A2601
ISO #9001

Model No.
EB-0236-LN

Item No.

Travelers Rest, SC: 800-476-4103 Simi Valley, CA: 800-423-0150 Fax: 864-834-3518 www.tsbrass.com

This Space for Architect/Engineer Approval

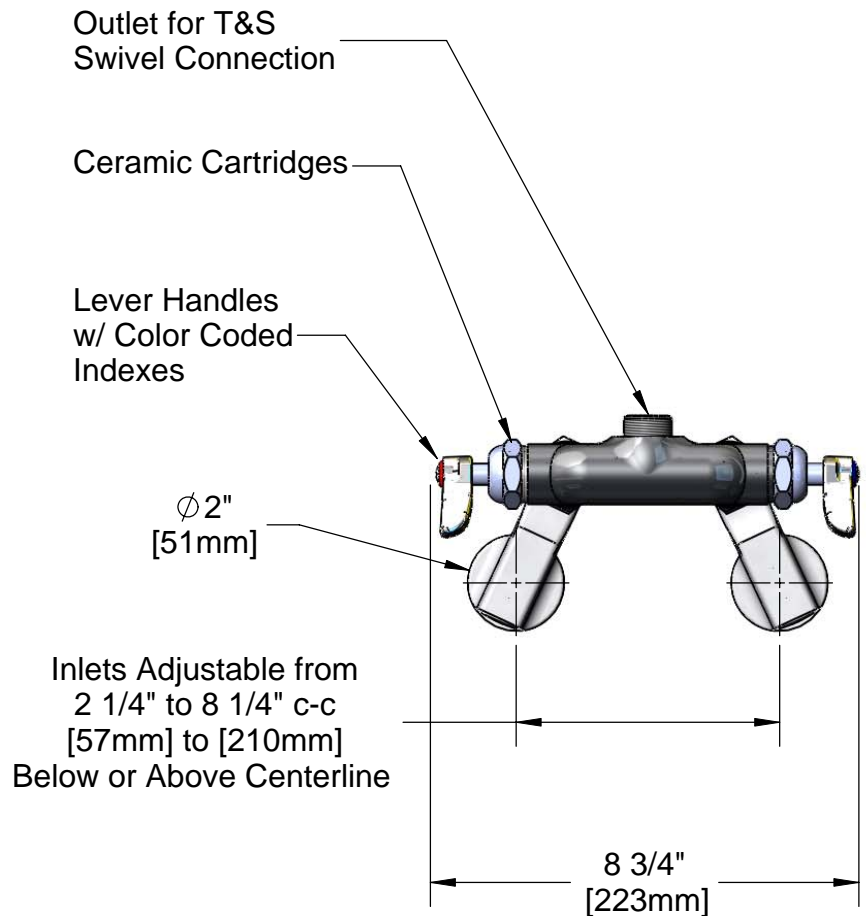
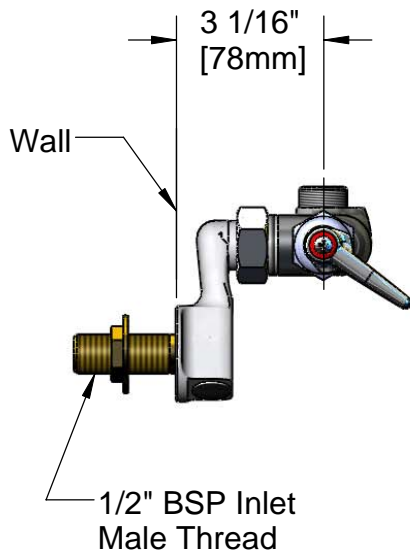
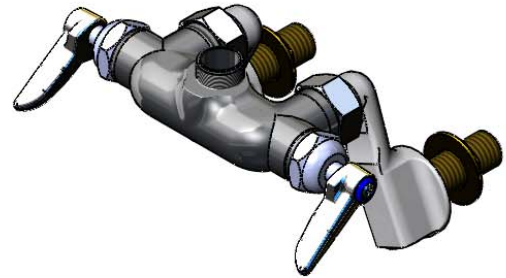
Job Name _____ Date _____

Model Specified _____ Quantity _____

Customer/Wholesaler _____

Contractor _____

Architect/Engineer _____



Product Specifications:
 Wall Mount Polish Chrome Mixing Faucet Less Nozzle
 w/ Adjustable Inlet Arms, Ceramic Cartridges &
 B-2318 BSP Supply Nipples

Drawn DMH	Checked GEF	Approved JHB
Scale: 1:4		Date: 05/23/08



T&S BRASS AND BRONZE WORKS, INC.

2 Saddleback Cove / P.O. Box 1088
Travelers Rest, SC 29690



REG. #A2601
ISO #9001

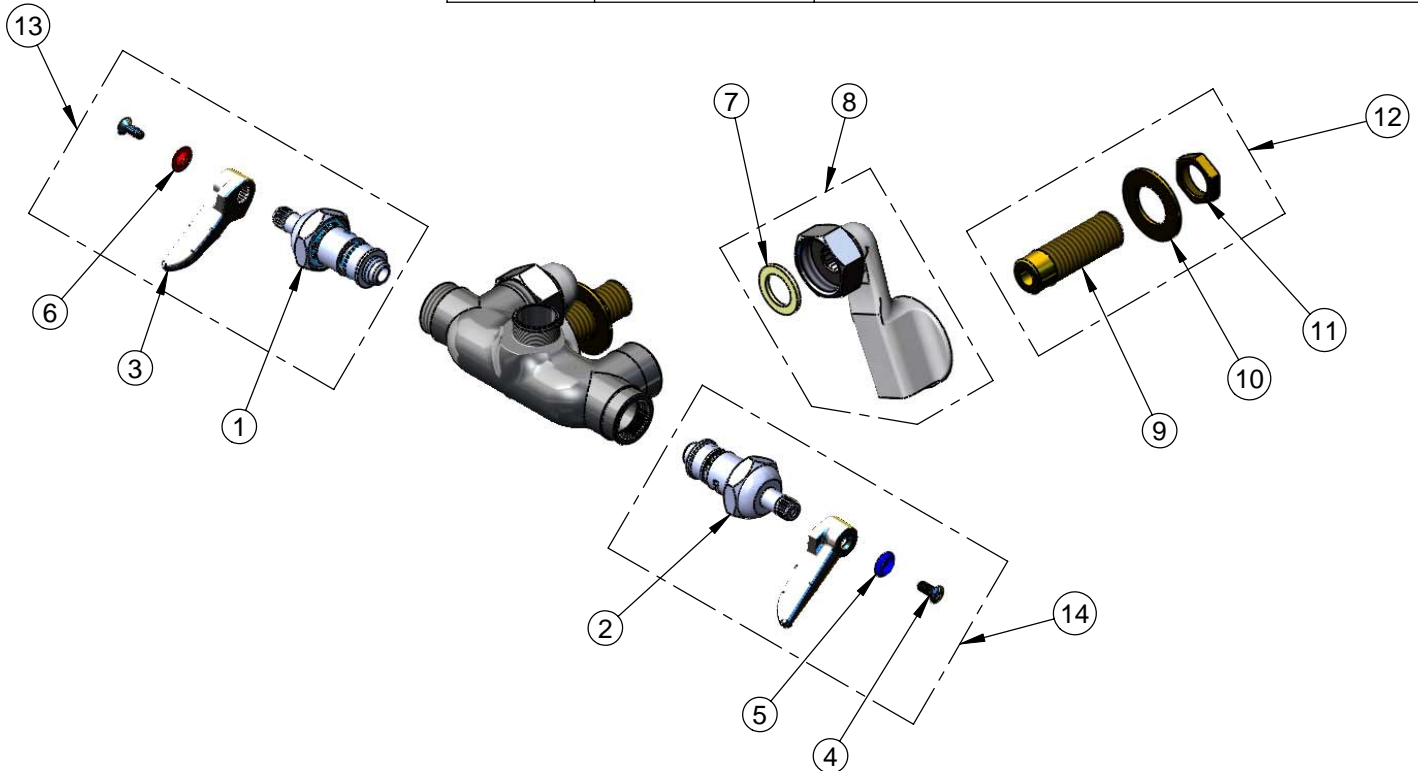
Model No.

EB-0236-LN

Item No.

Travelers Rest, SC: 800-476-4103 Simi Valley, CA: 800-423-0150 Fax: 864-834-3518 www.tsbrass.com

ITEM NO.	SALES NO.	DESCRIPTION
1	011278-25	Ceramic Cartridge RTC
2	011279-25	Ceramic Cartridge LTC
3	001638-45	Lever Handle
4	000922-45	Lever Handle Screw
5	001660-45	Blue Index-CW
6	001661-45	Red Index-HW
7	001019-45	Coupling Nut Washer
8	00GG	Flange Assembly, 1/2" NPT, Adjustable
9	002814-45	Shank
10	000999-45	Brass Lock Washer
11	002954-45	Shank Lock Nut
12	B-2318	BSPT Shank Kit
13	012444-25	Ceramic RTC (Hot) Assembly
14	012445-25	Ceramic LTC (Cold) Assembly



Product Specifications:

Wall Mount Polish Chrome Mixing Faucet Less Nozzle
w/ Adjustable Inlet Arms, Ceramic Cartridges &
B-2318 BSP Supply Nipples

Drawn DMH	Checked GEF	Approved JHB
Scale: 1:4		Date: 05/23/08