



T&S BRASS AND BRONZE WORKS, INC.

2 Saddleback Cove / P.O. Box 1088
Travelers Rest, SC 29690

Model No.

BL-6005-02

Item No.

Travelers Rest, SC: 800-476-4103 • Simi Valley, CA: 800-423-0150 • Fax: 864-834-3518 • www.tsbrass.com

This Space for Architect/Engineer Approval

Job Name _____ Date _____

Model Specified _____ Quantity _____

Customer/Wholesaler _____

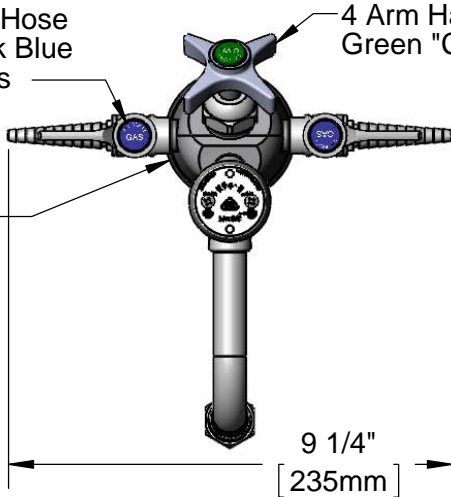
Contractor _____

Architect/Engineer _____

(2) Ball Valve Hose Cocks w/ Dark Blue "GAS" Indexes

4 Arm Handle w/ Green "CW" Index

Ø 2 11/16" [69mm]



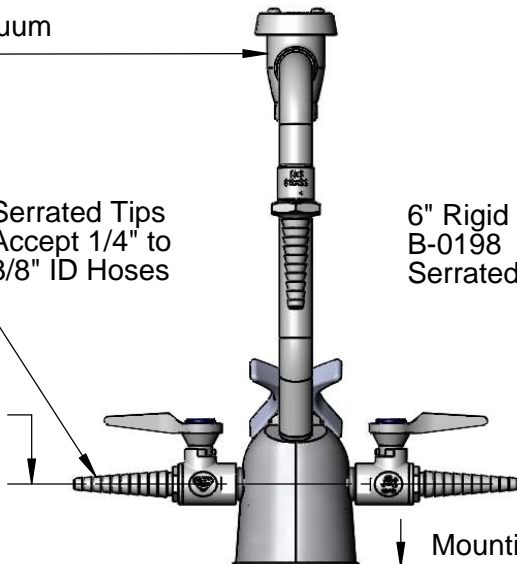
9 1/4" [235mm]

B-0968 3/8" Vacuum Breaker

Serrated Tips Accept 1/4" to 3/8" ID Hoses

6" Rigid Nozzle w/ B-0198 Serrated Tip Outlet

1 3/4" [44mm]

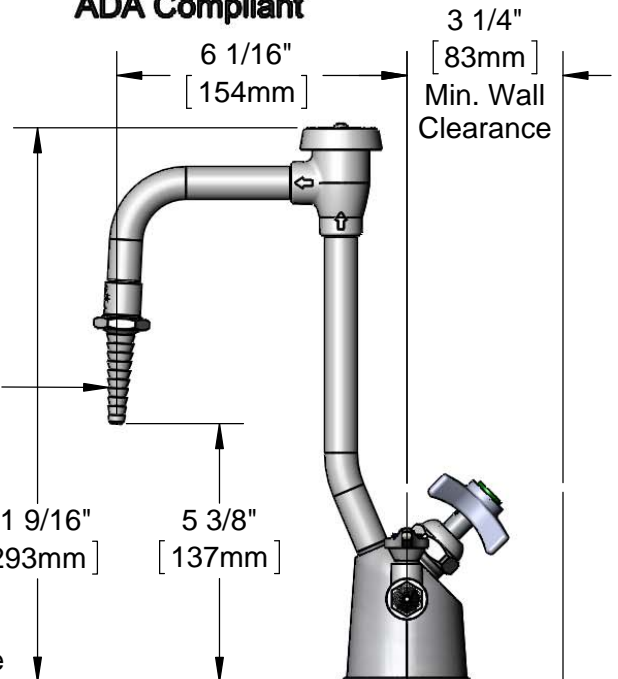


Mounting Surface

Deck Flange

2 3/8" [60mm] Maximum Thickness

ADA Compliant



11 9/16" [293mm]

5 3/8" [137mm]

3 1/4" [83mm] Min. Wall Clearance

3/8" NPT Cold Water Inlet

3/8" NPT Gas Inlet

1 3/16" [29mm]

Ø 3/8" [10mm]

Ø 13/16" [20mm]

19/32" [15mm]

3/4" [19mm]

Mounting Washer / Rough-In Detail

Notes:

1. Natural Gas Pressure: 0.5 PSIG Max. (For Natural Gas above 0.5 PSIG or Oxygen and Specialty Gases, use BL-4010-01 Gas Cock.)

2. Temperature Range: 32°F - 125°F

Product Specifications:

Combination Gas & Water Fixture w/ (2) Ball Valve Gas Cocks, Vacuum Breaker, 6" Rigid Gooseneck, Serrated Tip & 3/8" NPT Male Inlets

Product Compliance:

ASME A112.18.1 / CSA B125.1
NSF 61 Exempt (Non-Potable)
ANSI Z21.15a / CSA 9.1a
ANSI A117.1 (ADA)



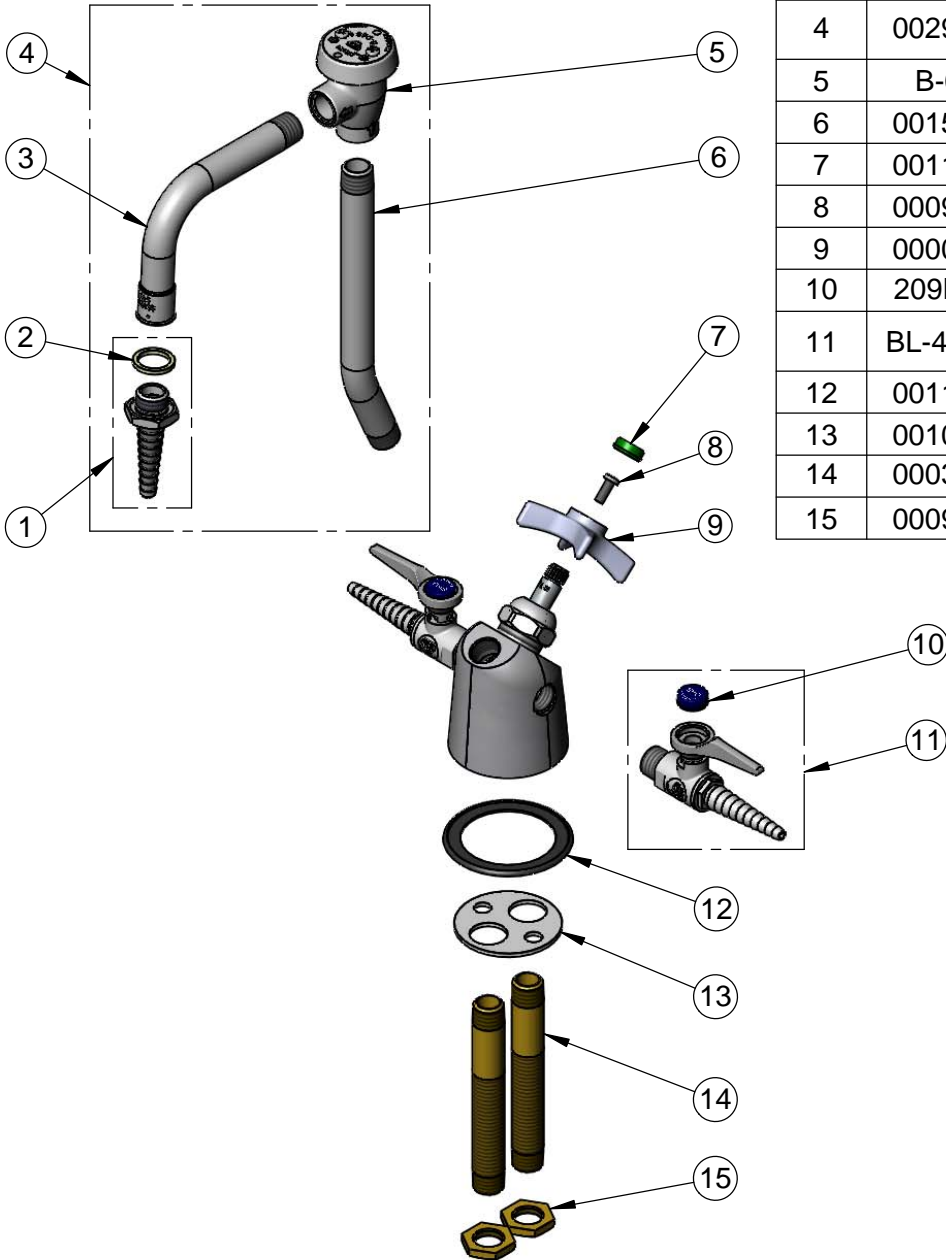
T&S BRASS AND BRONZE WORKS, INC.
 2 Saddleback Cove / P.O. Box 1088
 Travelers Rest, SC 29690

Model No.
BL-6005-02

Item No.

Travelers Rest, SC: 800-476-4103 • Simi Valley, CA: 800-423-0150 • Fax: 864-834-3518 • www.tsbrass.com

ITEM NO.	SALES NO.	DESCRIPTION
1	B-0198	Serrated Tip w/ Washer
2	001051-45	Washer
3	106X	Nozzle, 3/8" NPT, Brass
4	002986-40	Rigid Nozzle w/ Vacuum Breaker & Serrated Tip
5	B-0968	3/8" NPT Vacuum Breaker
6	001522-40	BL-6005-01, 7" Riser
7	001191-45	Green Index - CW
8	000925-45	Lab Handle Screw </td
9	000059-40	4-Arm Lab Handle
10	209L-GAS	Dark Blue GAS Snap-In Index
11	BL-4000-01	Ball Valve Hose Cock w/ Gas, Air & Vac Indexes
12	001160-45	Gasket, BL-6000
13	001004-45	Turret Brass Washer, BL-6000
14	000381-20	3/8" Brass Supply Nipple
15	000969-45	3/8" NPSL Brass Lock Nut



Product Specifications:
 Combination Gas & Water Fixture w/ (2) Ball Valve Gas Cocks, Vacuum Breaker, 6" Rigid Gooseneck, Serrated Tip & 3/8" NPT Male Inlets

Product Compliance:
 ASME A112.18.1 / CSA B125.1
 NSF 61 Exempt (Non-Potable)
 ANSI Z21.15a / CSA 9.1a
 ANSI A117.1 (ADA)



T&S BRASS AND BRONZE WORKS, INC.

2 Saddleback Cove / P.O. Box 1088
Travelers Rest, SC 29690

Model No.

BL-6005-03

Item No.

Travelers Rest, SC: 800-476-4103 • Simi Valley, CA: 800-423-0150 • Fax: 864-834-3518 • www.tsbrass.com

This Space for Architect/Engineer Approval

Job Name _____ Date _____

Model Specified _____ Quantity _____

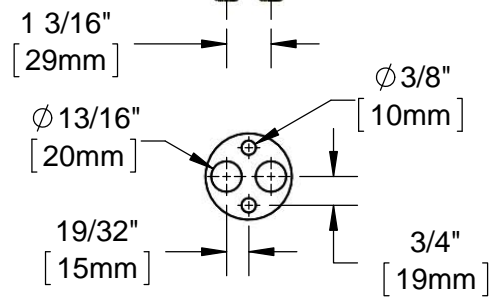
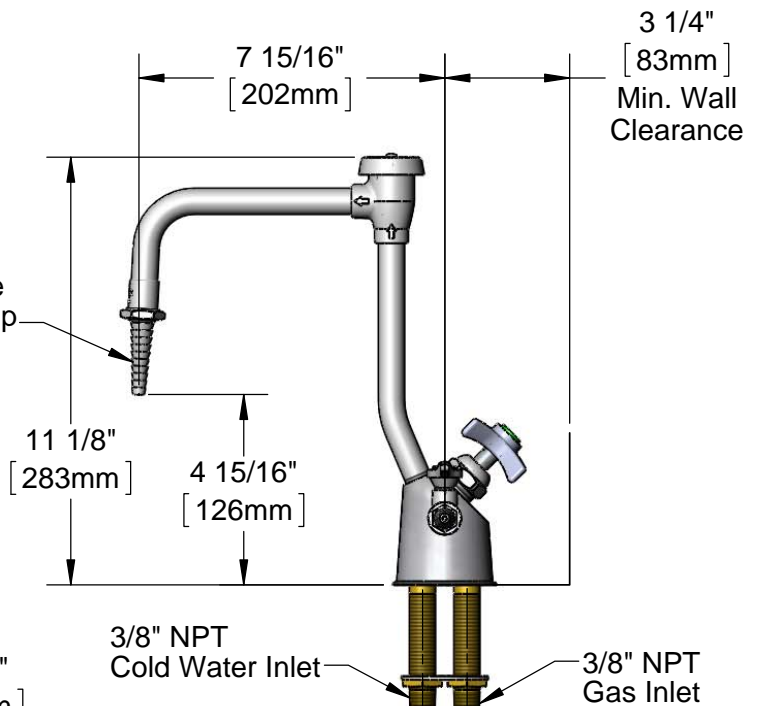
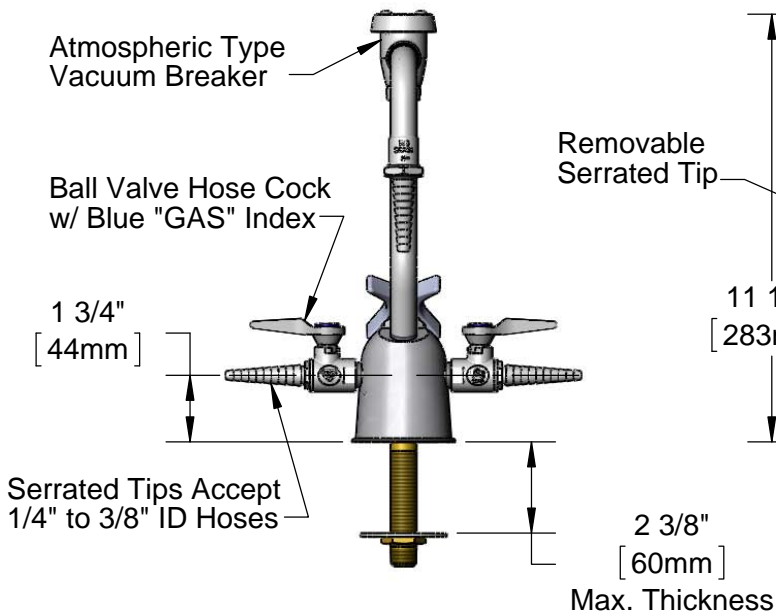
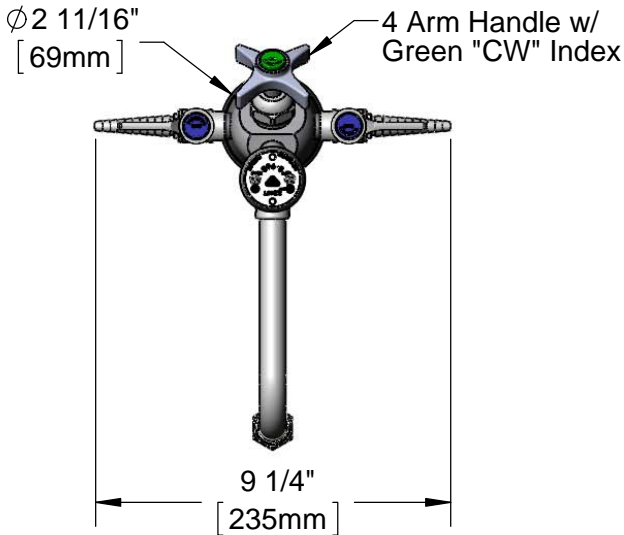
Customer/Wholesaler _____

Contractor _____

Architect/Engineer _____



ADA Compliant



Mounting Washer / Rough-In Detail

NOTES:

- Natural Gas Pressure: 0.5 PSIG Max.
(For Natural Gas above 0.5 PSIG or Oxygen and Specialty Gases, use BL-4010-01 Gas Cock.)
- Certified to ANSI Z21.15a / CSA 9.1a

Product Specifications:

Combination Gas & Water Fixture w/ (2) Ball Valve Gas Cocks, Vacuum Breaker, 8" Rigid Nozzle w/ Serrated Tip & 3/8" NPT Male Inlets

Drawn DMH	Checked JRM	Approved JHB
Scale: 1:5		Date: 05/21/12



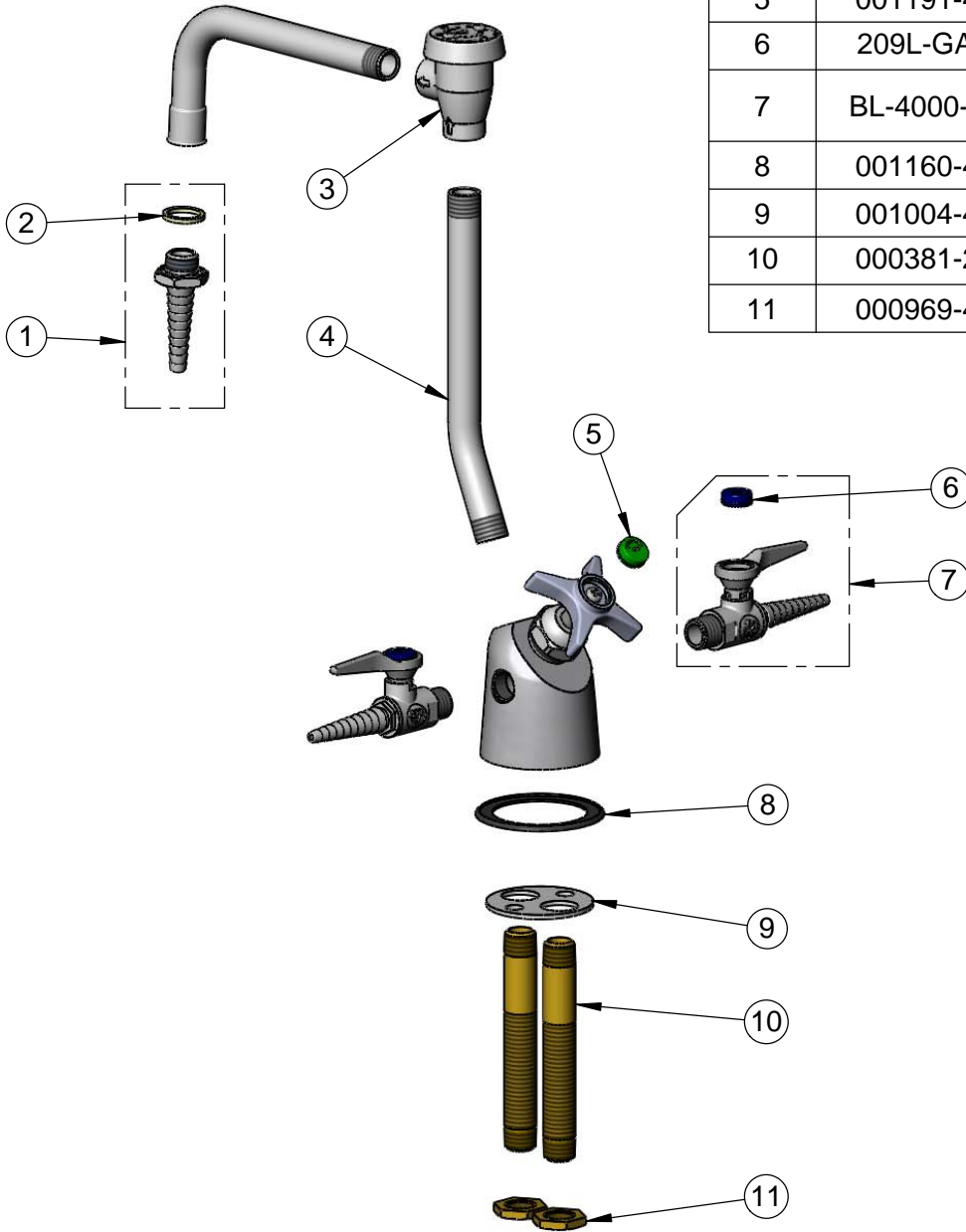
T&S BRASS AND BRONZE WORKS, INC.
 2 Saddleback Cove / P.O. Box 1088
 Travelers Rest, SC 29690

Model No.
BL-6005-03

Item No.

Travelers Rest, SC: 800-476-4103 • Simi Valley, CA: 800-423-0150 • Fax: 864-834-3518 • www.tsbrass.com

ITEM NO.	SALES NO.	DESCRIPTION
1	B-0198	Serrated Tip
2	001051-45	Washer
3	B-0968	Vacuum Breaker Assembly, 3/8"
4	001522-40	Riser, BL-6005-01, 7"
5	001191-45	Green CW Index
6	209L-GAS	Cap, Index, Blue, Gas
7	BL-4000-01	Ball Valve Hose Cock w/ GAS, AIR & VAC Indexes
8	001160-45	Gasket, BL-6000
9	001004-45	Washer, Turret BL-6000, Brass
10	000381-20	Nipple, Supply, 3/8" Pipe, Brass
11	000969-45	Nut, Lock, 3/8" NPSL, Brass



Product Specifications:
 Combination Gas & Water Fixture w/ (2) Ball Valve Gas Cocks,
 Vacuum Breaker, 8" Rigid Nozzle w/ Serrated Tip &
 3/8" NPT Male Inlets

Drawn DMH	Checked JRM	Approved JHB
Scale: NTS		Date: 05/21/12