



T&S BRASS AND BRONZE WORKS, INC.

2 Saddleback Cove / P.O. Box 1088
Travelers Rest, SC 29690

Model No.

BL-5850-01TL

Item No.

Travelers Rest, SC: 800-476-4103 • Simi Valley, CA: 800-423-0150 • Fax: 864-834-3518 • www.tsbrass.com

This Space for Architect/Engineer Approval

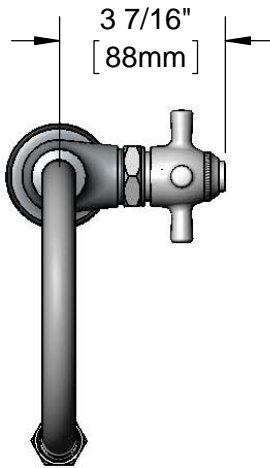
Job Name _____ Date _____

Model Specified _____ Quantity _____

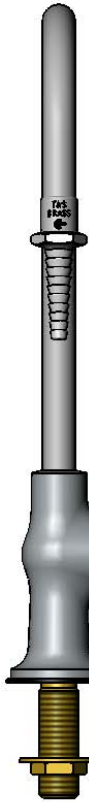
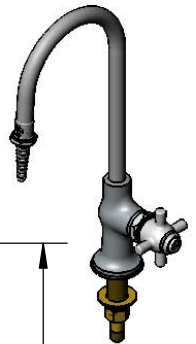
Customer/Wholesaler _____

Contractor _____

Architect/Engineer _____



Rigid Gooseneck w/
B-0198
Serrated Tip Outlet



4 1/16"
[103mm]

7 1/8"
[182mm]

5 5/8"
[144mm]

14 1/8"
[359mm]

Mounting
Surface

Fast Self
Closing Cartridge
w/ White "DW" Index

Ø 2" [51mm]
Flange w/
Black Plastic Deck
Gasket & 1/2" NPSM
Male Inlet

2 7/16"
[61mm]

1 9/16"
[40mm]
Maximum
Thickness

150A
Optional Tailpiece & Nut
for 1/4" NPT Connection
(Included)

Rough-In Requirement:
Ø 1" [25mm] Mounting Hole

Product Specifications:

Single Hole Single Temperature Tin-Lined Laboratory Faucet, Fast Self Closing Cartridge, Rigid Gooseneck, Serrated Tip & 1/2" NPSM Male Inlet

Product Compliance:

ASME A112.18.1 / CSA B125.1
NSF 61 Exempt (Non-Potable)



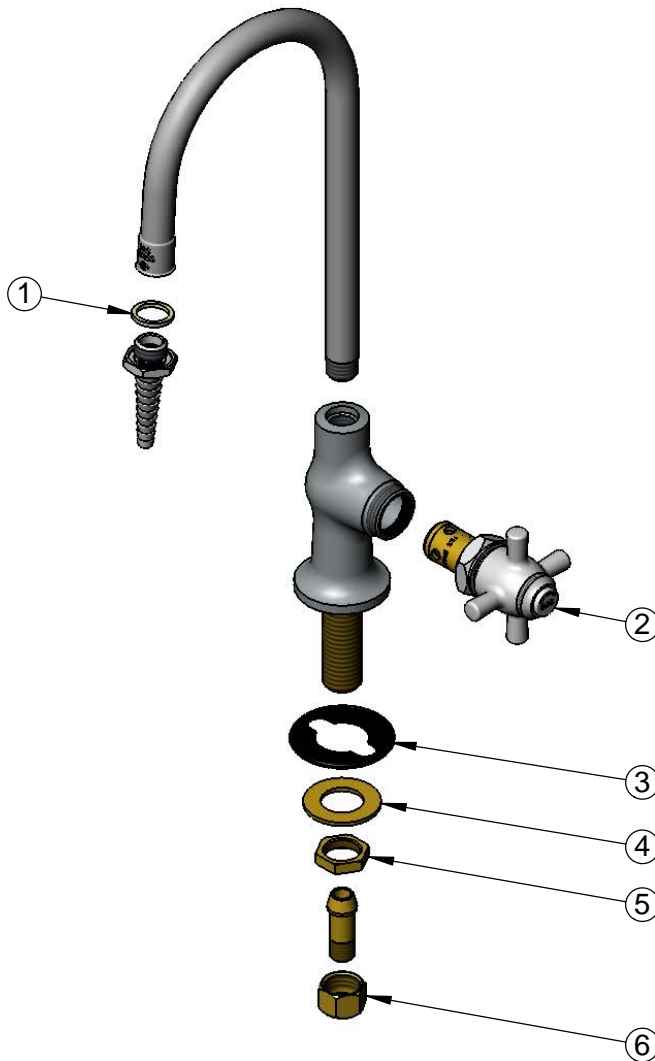
T&S BRASS AND BRONZE WORKS, INC.
 2 Saddleback Cove / P.O. Box 1088
 Travelers Rest, SC 29690

Model No.
BL-5850-01TL

Item No.

Travelers Rest, SC: 800-476-4103 • Simi Valley, CA: 800-423-0150 • Fax: 864-834-3518 • www.tsbrass.com

ITEM NO.	SALES NO.	DESCRIPTION
1	001051-45	Washer
2	120A	Fast Closing Cartridge w/ DW White Index (Tin-Lined)
3	144L	Black Plastic Deck Gasket
4	000999-45	Brass Lock Washer
5	002954-45	Shank Lock Nut
6	000958-20	Coupling Nut



Product Specifications:

Single Hole Single Temperature Tin-Lined Laboratory Faucet, Fast Self Closing Cartridge, Rigid Gooseneck, Serrated Tip & 1/2" NPSM Male Inlet

Product Compliance:

ASME A112.18.1 / CSA B125.1
 NSF 61 Exempt (Non-Potable)



T&S BRASS AND BRONZE WORKS, INC.
 2 SADDLEBACK COVE / P.O. BOX 1088 / TRAVELERS REST, SC 29690
 PHONE 800-476-4103 - FAX 864- 834-3518



Model No.

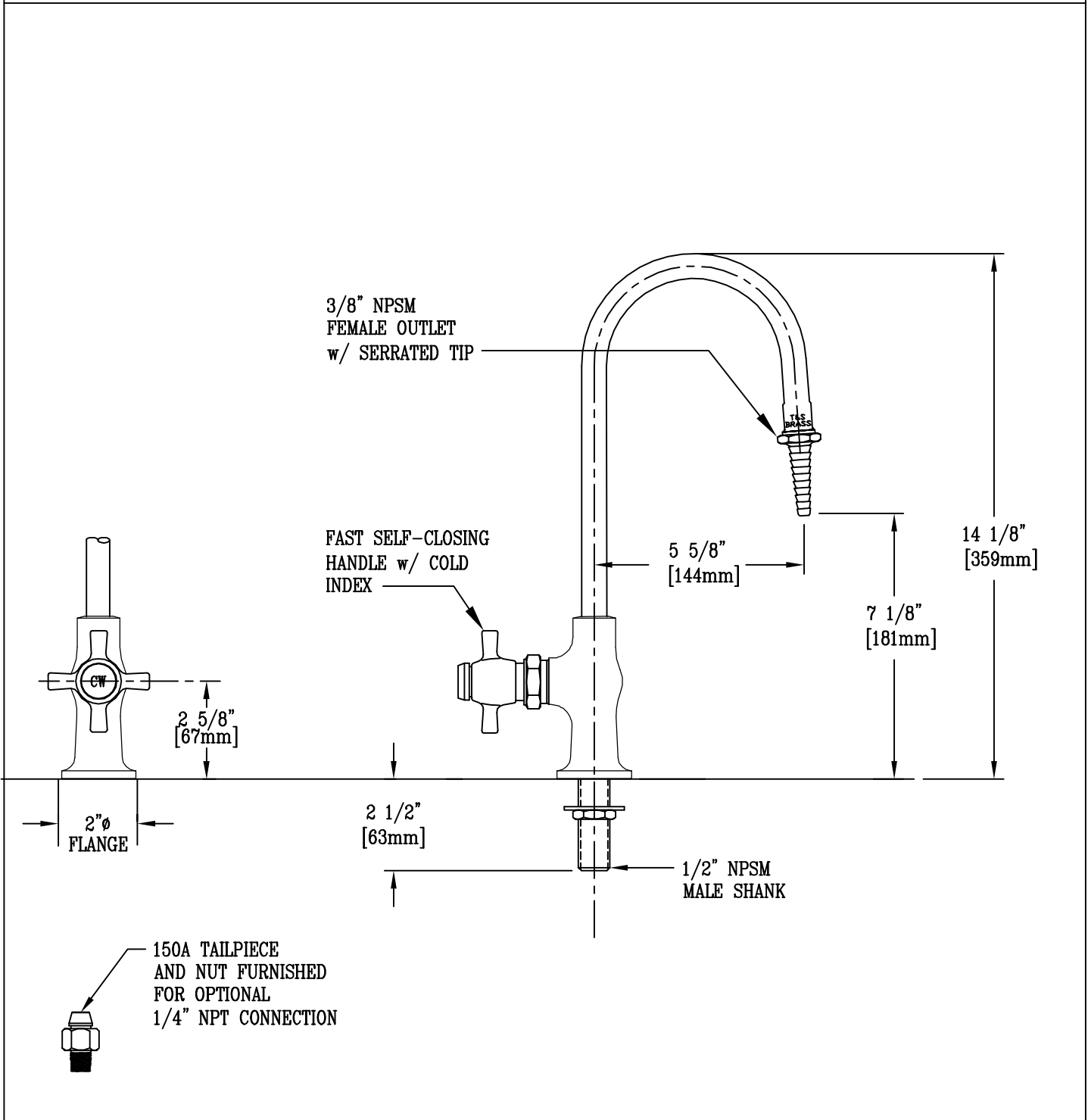
BL-5850-01

**RELIABILITY
 BUILT IN**

Job Name:

Architect/Engineer Approval:

Notes:



Product Description: SINGLE TEMPERATURE LAB FCT. WITH RIGID GOOSENECK, SERRATED TIP OUTLET, FAST SELF CLOSING HANDLE, & 1/2" NPSM MALE SHANK	Drawn:	Checked:	Scale:
	LEL	JKD	1 : 4
	Approved:		Date:
	MVW		9/11/02



T&S BRASS AND BRONZE WORKS, INC.
 2 SADDLEBACK COVE / P.O. BOX 1088 / TRAVELERS REST, SC 29690
 PHONE 800-476-4103 - FAX 864- 834-3518

Model No.

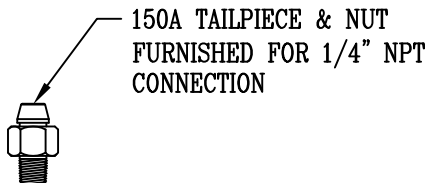
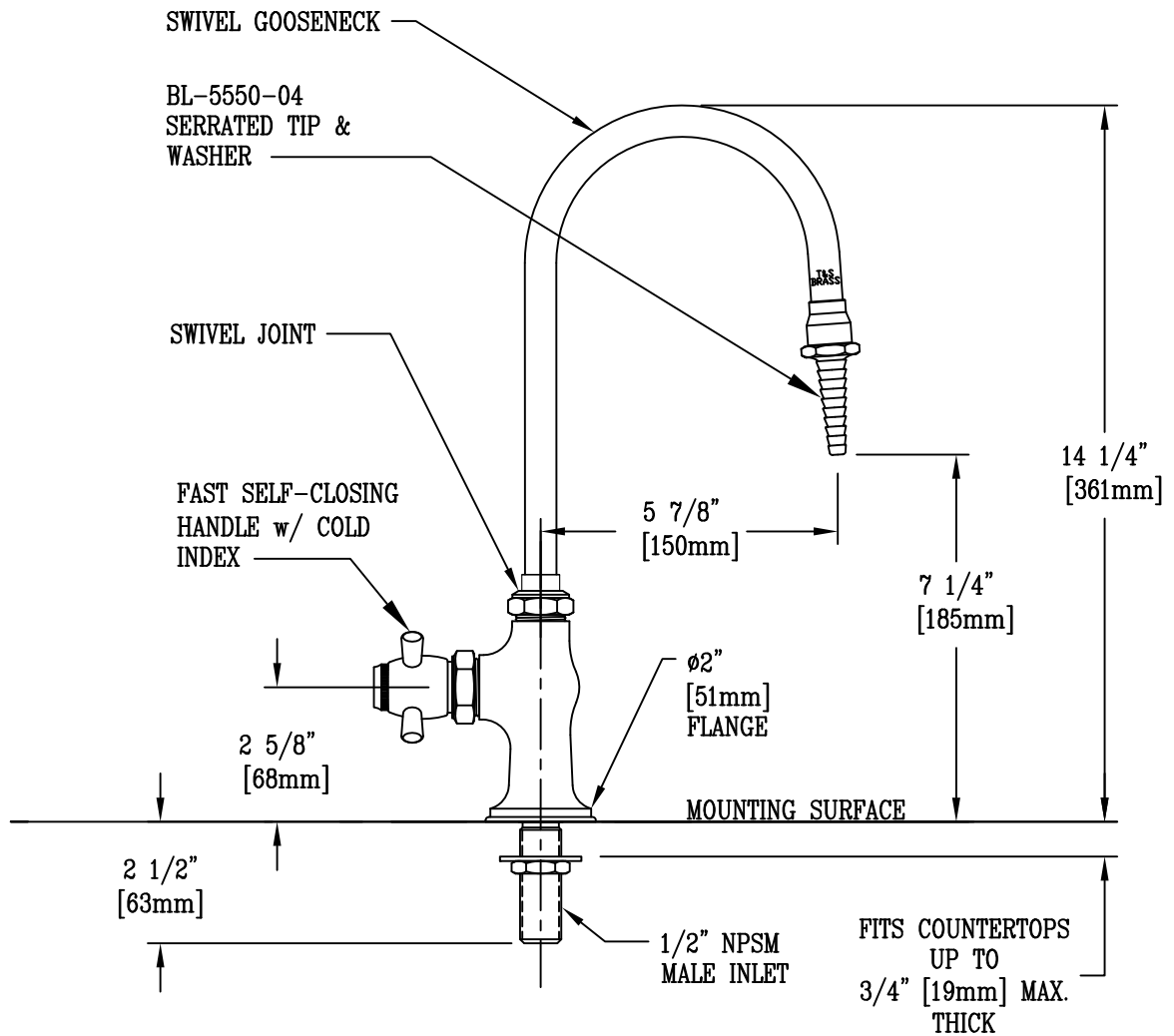
BL-5850-02

**RELIABILITY
BUILT IN**

Job Name:

Architect/Engineer Approval:

Notes:



**ROUGH-IN REQUIREMENTS:
ø1" [ø25mm] HOLE**

Product Description:
 SINGLE TEMPERATURE LAB FAUCET w/
 SWIVEL GOOSENECK, SERRATED TIP OUTLET, FAST
 SELF CLOSING HANDLE, & 1/2" NPSM MALE INLET

Drawn: KJG	Checked GEF	Scale: 1 : 4
Approved JHB	Date: 02/22/13	