



**T&S BRASS AND BRONZE WORKS, INC.**

2 SADDLEBACK COVE / P.O. BOX 1088 / TRAVELERS REST, SC 29690

PHONE 800-476-4103

FAX 864- 834-3518



REG.#A2601  
ISO #9002

Model No.

BL-5735-01

Item No.:

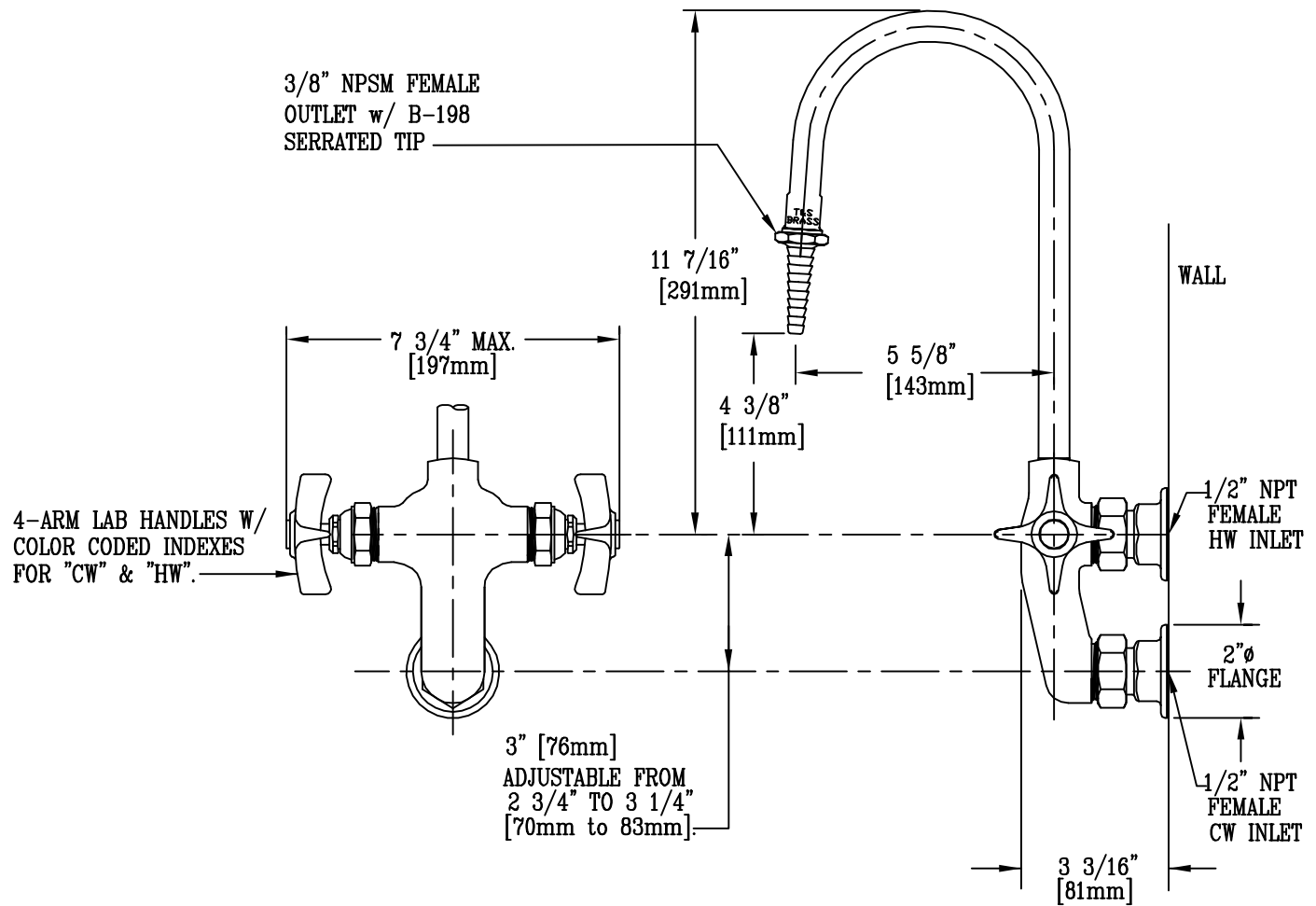
Job Name:

Architect/Engineer Approval:

Notes:



ADA COMPLIANT



NOTE 1: 3/4" FEMALE INLETS ALSO AVAILABLE.

NOTE 2: ALSO AVAILABLE WITH 9" SWING NOZZLE INSTEAD OF GOOSENECK.

Product Description:

WALL MOUNTED MIXING FAUCET WITH RIGID GOOSENECK, SERRATED TIP OUTLET, 4-ARM HANDLES, & 1/2" NPT FEMALE INLETS.

Drawn:

WJS

Approved

MVW

Checked

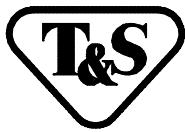
MVW

Scale:

1 : 4

Date:

6-16-99



T&S BRASS AND BRONZE WORKS, INC.

2 SADDLEBACK COVE / P.O. BOX 1088 / TRAVELERS REST, SC 29690

PHONE 800-476-4103

FAX 864-834-3518



REG.#A2601  
ISO #9002

Model No.

BL-5735-02

Item No.:

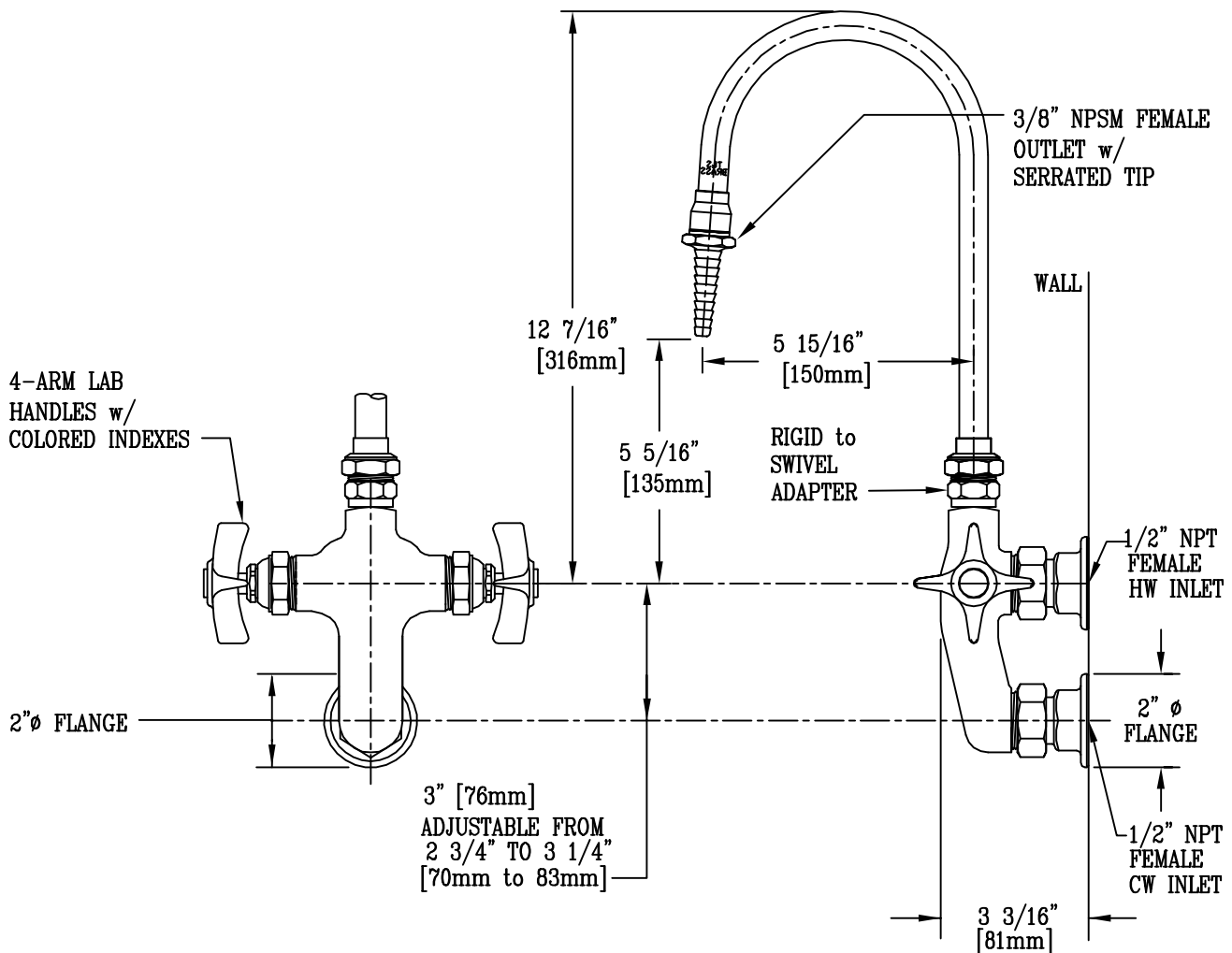
Job Name:

Architect/Engineer Approval:

Notes:



ADA COMPLIANT



Product Description:

WALL MOUNTED MIXING FAUCET WITH SWIVEL GOOSENECK, SERRATED TIP OUTLET, 4-ARM HANDLES, & 1/2" NPT FEMALE INLETS.

Drawn:

WJS

Approved

MVW

Checked

MVW

Scale:

1 : 4

Date:

6-15-99