



# T&S BRASS AND BRONZE WORKS, INC.

2 Saddleback Cove / P.O. Box 1088  
Travelers Rest, SC 29690

Model No.

**BL-5725-08**

Item No.

Travelers Rest, SC: 800-476-4103 • Simi Valley, CA: 800-423-0150 • Fax: 864-834-3518 • www.tsbrass.com



**ADA Compliant**

This Space for Architect/Engineer Approval

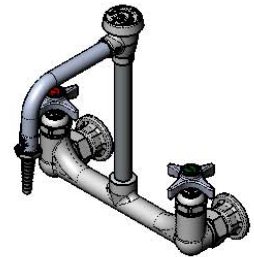
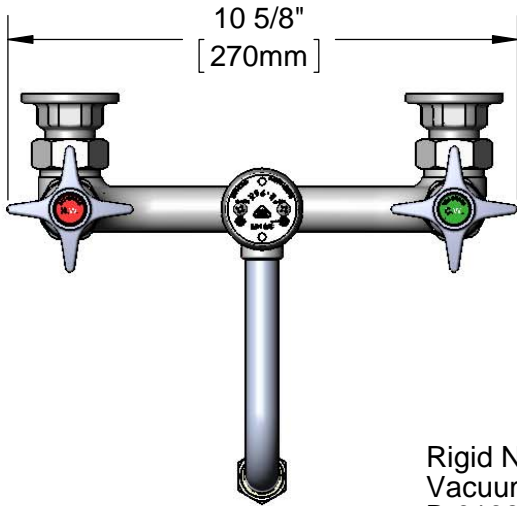
Job Name \_\_\_\_\_ Date \_\_\_\_\_

Model Specified \_\_\_\_\_ Quantity \_\_\_\_\_

Customer/Wholesaler \_\_\_\_\_

Contractor \_\_\_\_\_

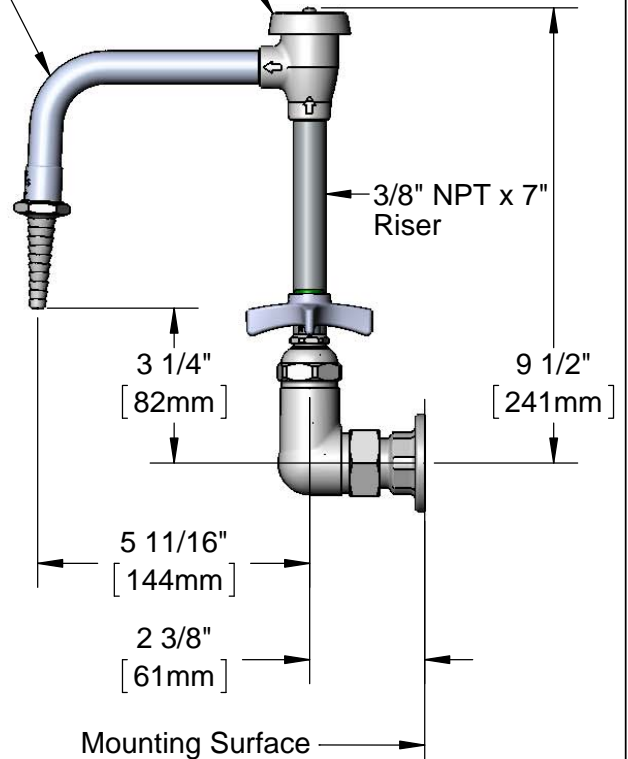
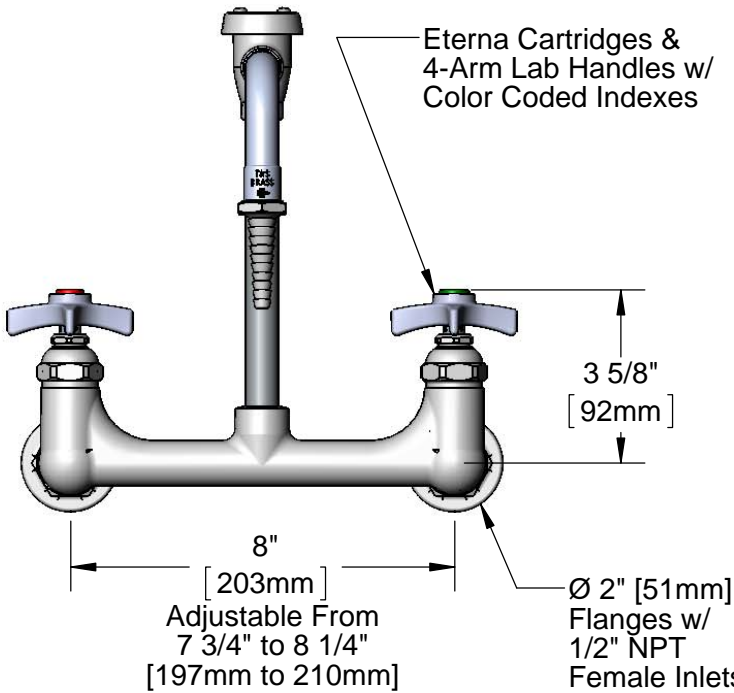
Architect/Engineer \_\_\_\_\_



Rigid Nozzle w/  
Vacuum Breaker &  
B-0198  
Serrated Tip Outlet

B-0968  
3/8" NPT  
Vacuum  
Breaker

Eterna Cartridges &  
4-Arm Lab Handles w/  
Color Coded Indexes



**Product Specifications:**

8" Wall Mount Laboratory Mixing Faucet, Eterna Cartridges, 4-Arm Lab Handles, Rigid Vacuum Breaker Nozzle, Serrated Tip & 1/2" NPT Female Inlets

**Product Compliance:**

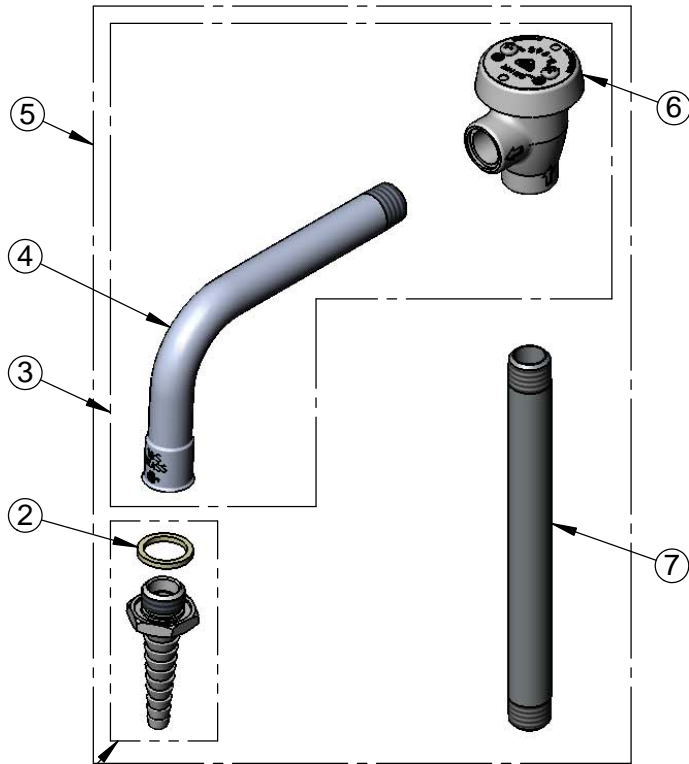
ASME A112.18.1 / CSA B125.1  
NSF 61 Exempt (Non-Potable)  
ANSI A117.1 (ADA)  
ASSE 1001 (VB)



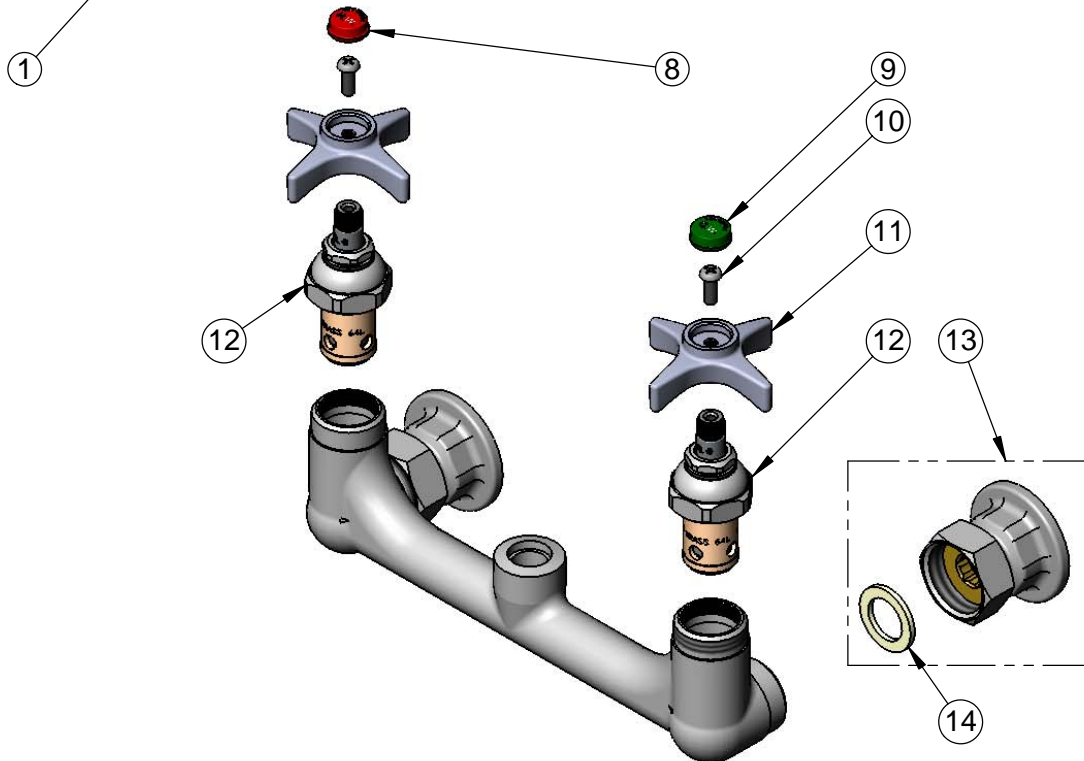
**T&S BRASS AND BRONZE WORKS, INC.**  
 2 Saddleback Cove / P.O. Box 1088  
 Travelers Rest, SC 29690

Model No.  
**BL-5725-08**  
 Item No.

Travelers Rest, SC: 800-476-4103 • Simi Valley, CA: 800-423-0150 • Fax: 864-834-3518 • www.tsbrass.com



ITEM NO.	SALES NO.	DESCRIPTION
1	B-0198	Serrated Tip w/ Washer
2	001051-45	Washer
3	007283-40	Nozzle w/ Vacuum Breaker Only
4	000387-40	Nozzle
5	BL-5560-01	Rigid Nozzle w/ Vacuum Breaker, Serrated Tip & 3/8" NPT x 7" Riser Inlet
6	B-0968	3/8" NPT Vacuum Breaker
7	000363-40	Nipple, 3/8" NPT x 7"
8	001194-45	Red Index - HW
9	001191-45	Green Index - CW
10	000925-45	Lab Handle Screw
11	000059-40	4-Arm Lab Handle
12	005960-40	Eterna Cartridge, RTC
13	00AA	1/2" Female Eccentric Flange
14	001019-45	Coupling Nut Washer



**Product Specifications:**  
 8" Wall Mount Laboratory Mixing Faucet, Eterna Cartridges, 4-Arm Lab Handles, Rigid Vacuum Breaker Nozzle, Serrated Tip & 1/2" NPT Female Inlets

**Product Compliance:**  
 ASME A112.18.1 / CSA B125.1  
 NSF 61 Exempt (Non-Potable)  
 ANSI A117.1 (ADA)  
 ASSE 1001 (VB)



**T&S BRASS AND BRONZE WORKS, INC.**

2 SADDLEBACK COVE / P.O. BOX 1088 / TRAVELERS REST, SC 29690

PHONE 800-476-4103

FAX 864- 834-3518



REG.#A2601  
ISO #9002

Model No.

BL-5725-09

Item No.:

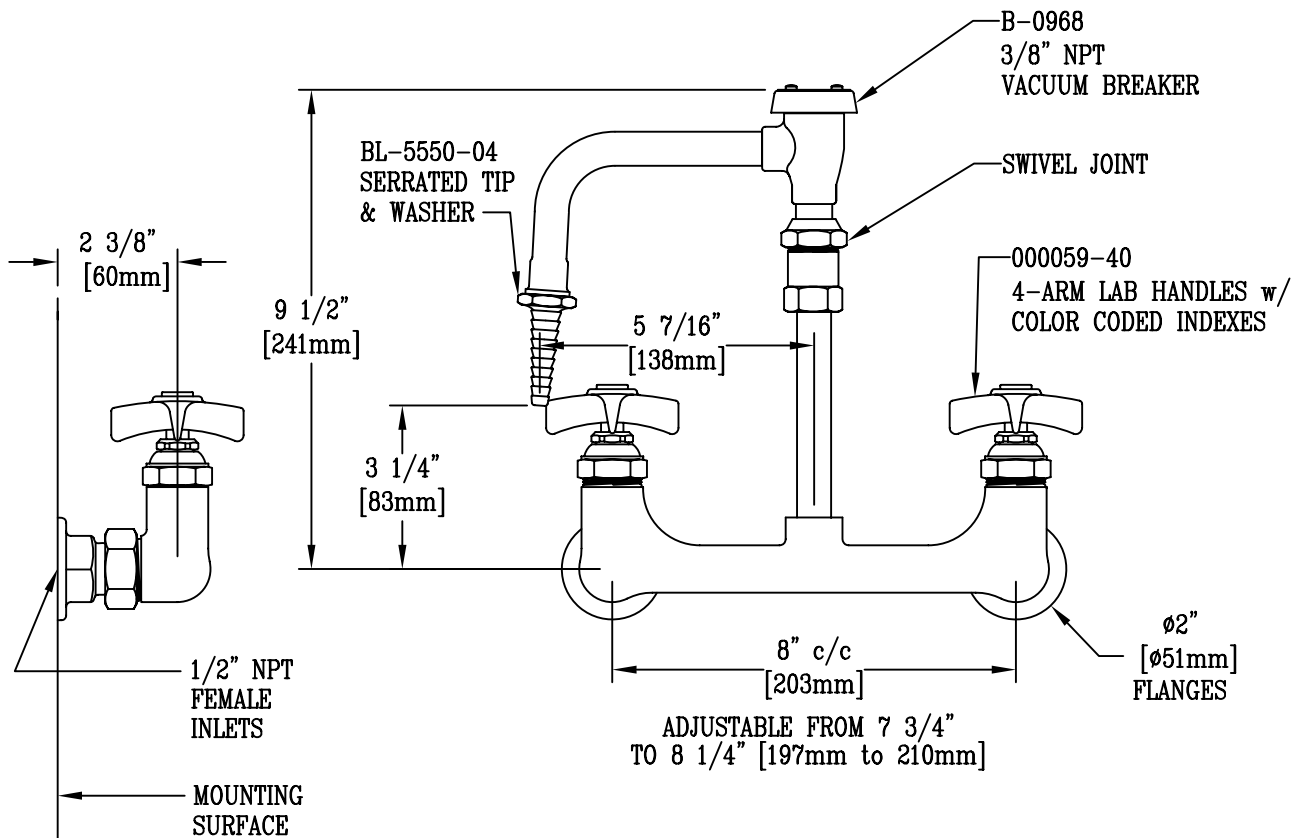
Job Name:

Architect/Engineer Approval:

Notes:



ADA COMPLIANT



**NOTE:**

- 3/4" FEMALE INLETS AVAILABLE UPON REQUEST

Product Description:

8" c/c WALL MOUNTED MIXING FAUCET w/ SWIVEL GOOSENECK, SERRATED TIP OUTLET, 4-ARM HANDLES, VACUUM BREAKER & 1/2" NPT FEMALE INLETS

Drawn:

KJG

Checked

DHL

Scale:

1 : 4

Approved

JHB

Date:

07/23/09