



T&S BRASS AND BRONZE WORKS, INC.
 2 Saddleback Cove / P.O. Box 1088
 Travelers Rest, SC 29690

Model No.
BL-5715-08

Item No.

Travelers Rest, SC: 800-476-4103 • Simi Valley, CA: 800-423-0150 • Fax: 864-834-3518 • www.tsbrass.com



ADA Compliant

This Space for Architect/Engineer Approval

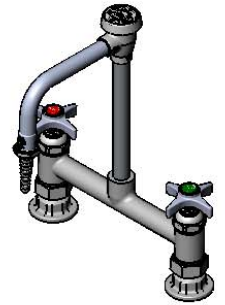
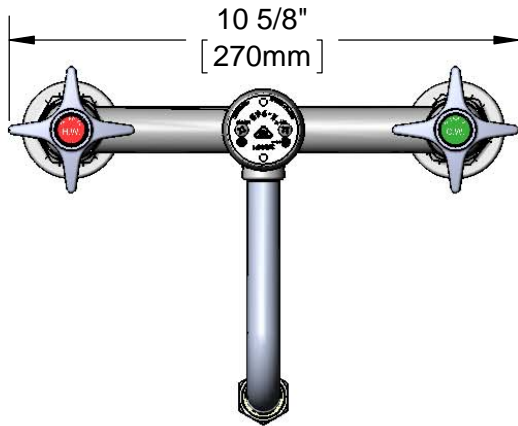
Job Name _____ Date _____

Model Specified _____ Quantity _____

Customer/Wholesaler _____

Contractor _____

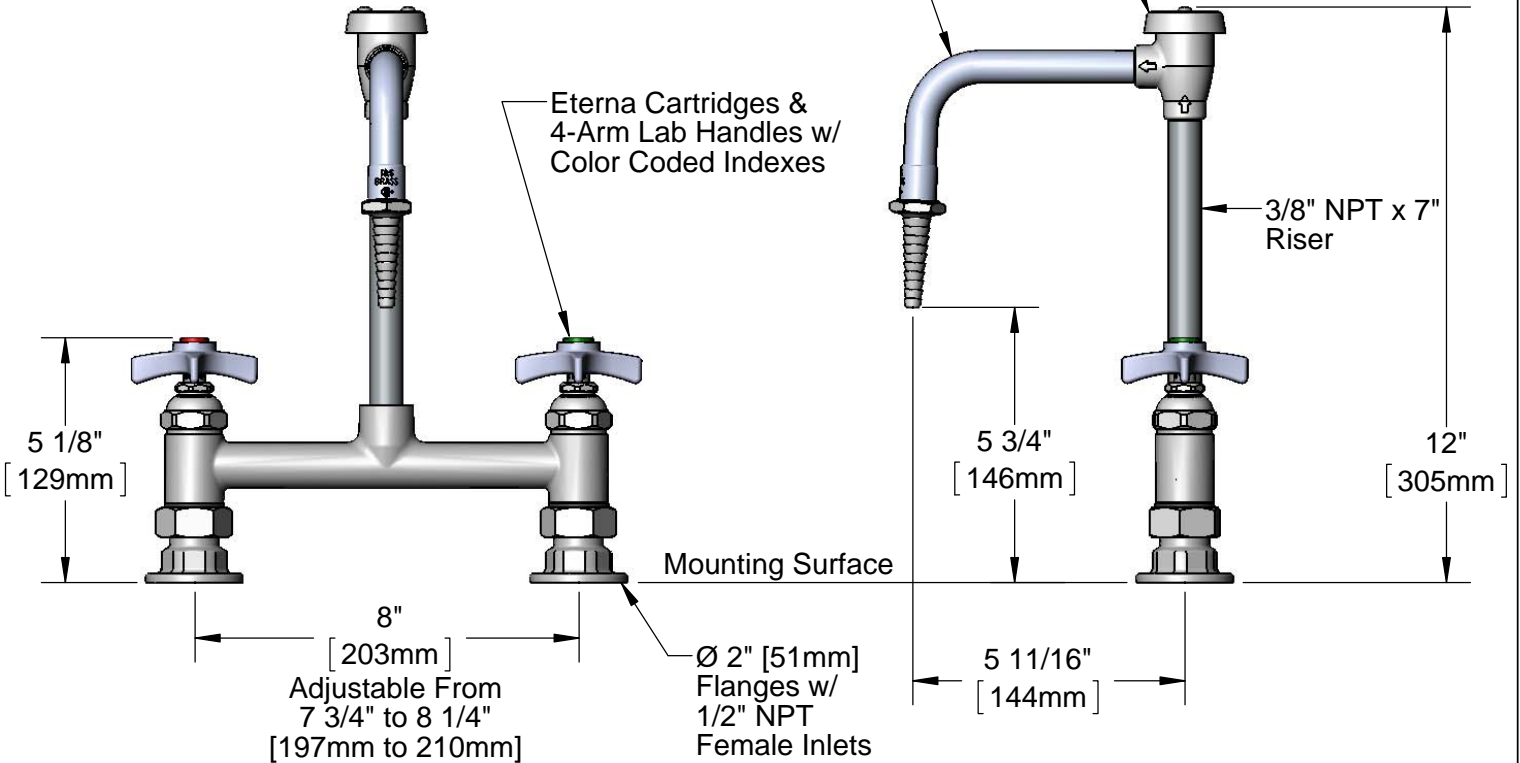
Architect/Engineer _____



Rigid Nozzle w/
 Vacuum Breaker &
 B-0198
 Serrated Tip Outlet

B-0968
 3/8" NPT
 Vacuum
 Breaker

Eterna Cartridges &
 4-Arm Lab Handles w/
 Color Coded Indexes



Product Specifications:
 8" Deck Mount Laboratory Mixing Faucet, Eterna Cartridges, 4-Arm Lab Handles, Rigid Vacuum Breaker Nozzle, Serrated Tip & 1/2" NPT Female Inlets

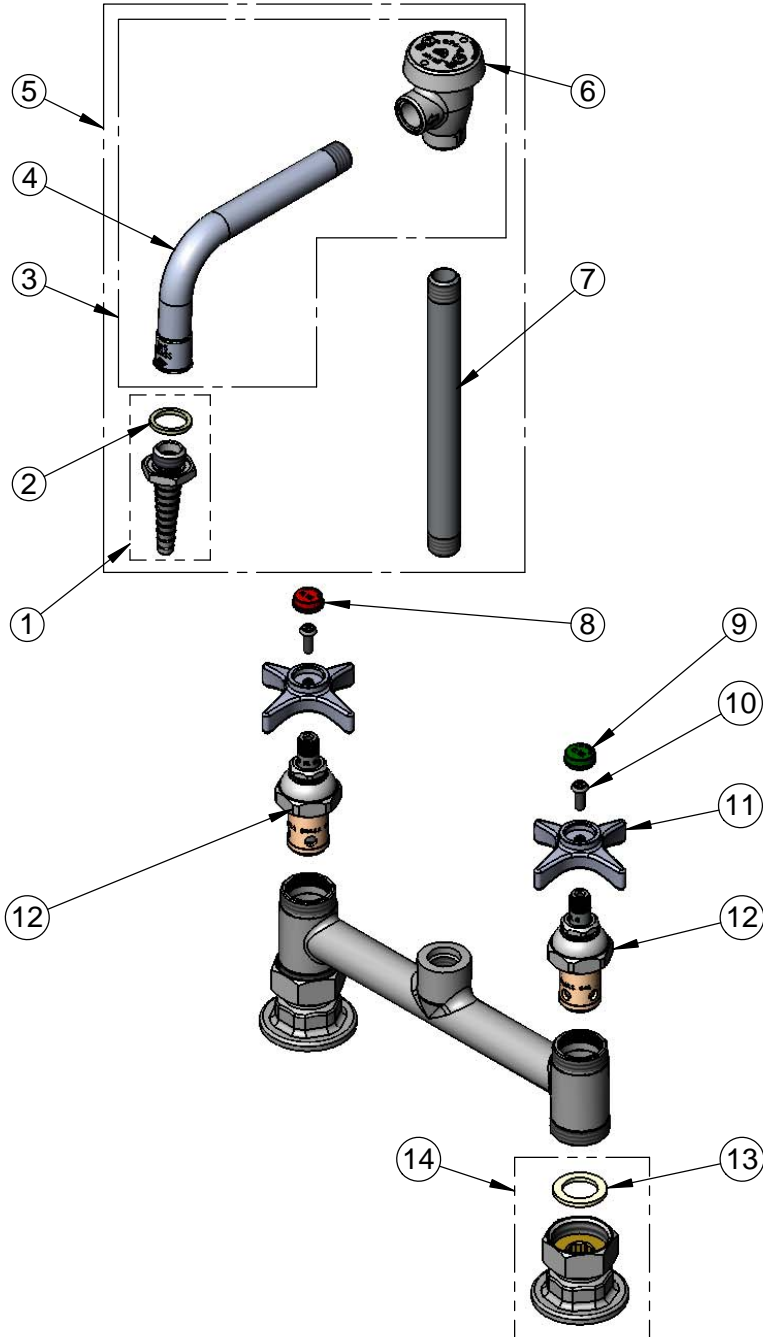
Product Compliance:
 ASME A112.18.1 / CSA B125.1
 NSF 61 Exempt (Non-Potable)
 ANSI A117.1 (ADA)
 ASSE 1001 (VB)



T&S BRASS AND BRONZE WORKS, INC.
 2 Saddleback Cove / P.O. Box 1088
 Travelers Rest, SC 29690

Model No.
BL-5715-08
 Item No.

Travelers Rest, SC: 800-476-4103 • Simi Valley, CA: 800-423-0150 • Fax: 864-834-3518 • www.tsbrass.com



ITEM NO.	SALES NO.	DESCRIPTION
1	B-0198	Serrated Tip w/ Washer
2	001051-45	Washer
3	007283-40	Nozzle w/ Vacuum Breaker Only
4	000387-40	Nozzle
5	BL-5560-01	Rigid Nozzle w/ Vacuum Breaker, Serrated Tip & 3/8" NPT x 7" Riser Inlet
6	B-0968	3/8" NPT Vacuum Breaker
7	000363-40	3/8" NPT x 7" Riser
8	001194-45	Red Index - HW
9	001191-45	Green Index - CW
10	000925-45	Lab Handle Screw
11	000059-40	4-Arm Lab Handle
12	005960-40	Eterna Cartridge, RTC
13	001019-45	Coupling Nut Washer
14	00AA	1/2" Female Eccentric Flange

Product Specifications:

8" Deck Mount Laboratory Mixing Faucet, Eterna Cartridges, 4-Arm Lab Handles, Rigid Vacuum Breaker Nozzle, Serrated Tip & 1/2" NPT Female Inlets

Product Compliance:

ASME A112.18.1 / CSA B125.1
 NSF 61 Exempt (Non-Potable)
 ANSI A117.1 (ADA)
 ASSE 1001 (VB)