

T&S BRASS AND BRONZE WORKS, INC.

2 SADDLEBACK COVE / P.O. BOX 1088 / TRAVELERS REST, SC 29690

PHONE 800-476-4103

FAX 864-834-3518



REG.#A2601
ISO #9002

Model No.

BL-5710-01

Item No.:

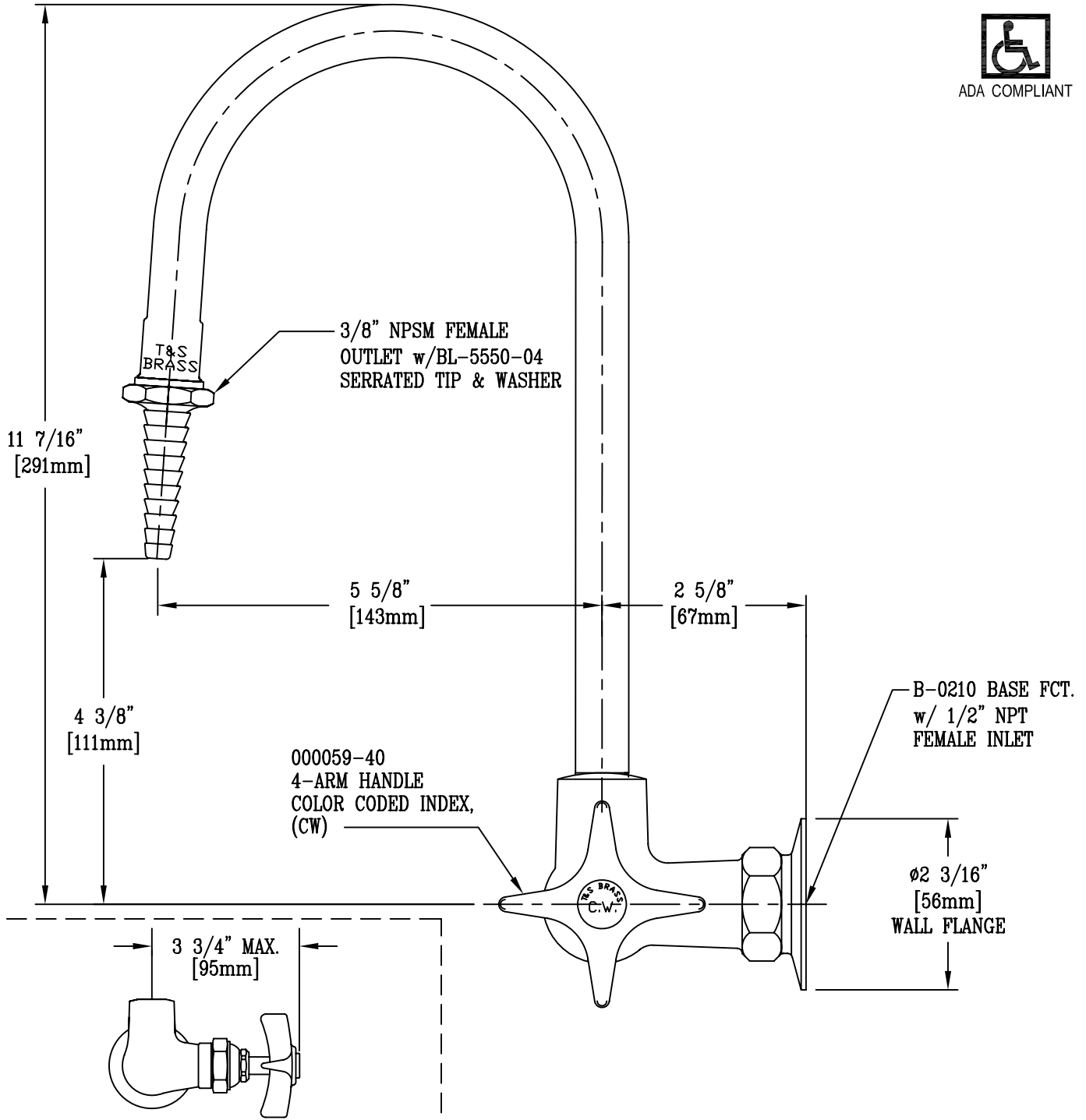
Job Name:

Architect/Engineer Approval:

Notes:



ADA COMPLIANT



Product Description:

WALL MOUNTED SINGLE SUPPLY FAUCET
w/ RIGID GOOSENECK, 4-ARM HANDLE,
SERRATED TIP & 1/2" NPT FEMALE INLET

Drawn:

KJG

Checked

DHL

Scale:

1:2

Approved

JHB

Date:

07/23/09



T&S BRASS AND BRONZE WORKS, INC.

2 SADDLEBACK COVE / P.O. BOX 1088 / TRAVELERS REST, SC 29690

PHONE 800-476-4103

FAX 803- 834-3518



REG.#A2601
ISO #9002

Model No.

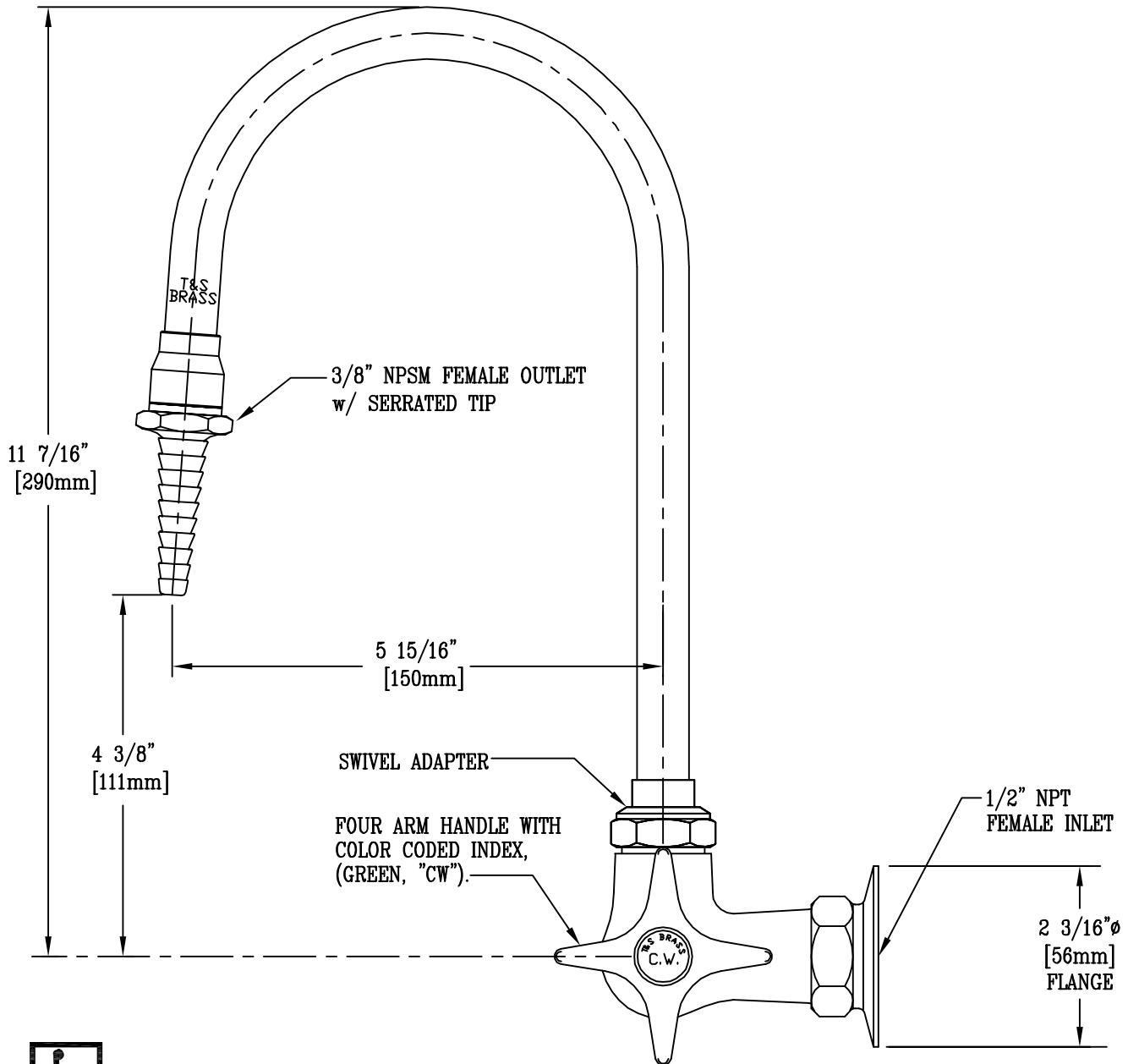
BL-5710-03

Item No.:

Job Name:

Architect/Engineer Approval:

Notes:



ADA COMPLIANT

Product Description:

WALL MOUNTED SINGLE SUPPLY FAUCET
w/ SWIVEL GOOSENECK, 4-ARM LAB HANDLE,
SERRATED TIP, & 1/2" NPT FEMALE INLET

Drawn:

WJS

Checked

MVW

Scale:

1 : 2

Approved

MVW

Date:

6-15-99



T&S BRASS AND BRONZE WORKS, INC.

2 SADDLEBACK COVE / P.O. BOX 1088 / TRAVELERS REST, SC 29690

PHONE 800-476-4103

FAX 864-834-3518



REG.#A2601
ISO #9002

Model No.

BL-5710-07

Item No.:

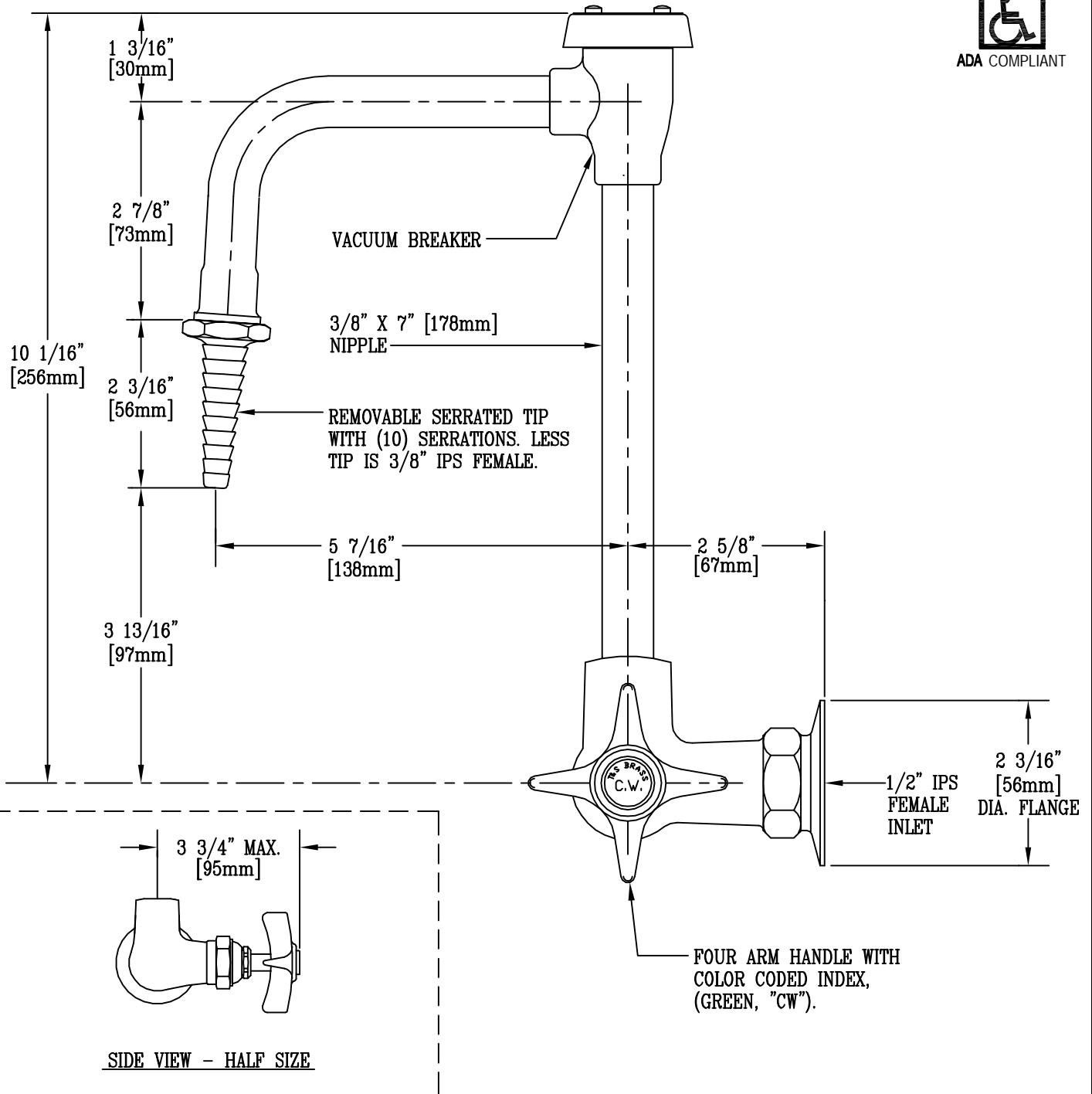
Job Name:

Architect/Engineer Approval:

Notes:



ADA COMPLIANT



Product Description:

LABORATORY SINGLE SINK FAUCET WITH RIGID GOOSENECK, 4-ARM HANDLE, VACUUM BREAKER, SERRATED TIP, 1/2" IPS FEMALE INLET

Drawn:

WJS

Approved

CA

Checked

ARD

Scale:

6" = 1'

Date:

10/25/95