



T&S BRASS AND BRONZE WORKS, INC.

2 Saddleback Cove / P.O. Box 1088
Travelers Rest, SC 29690

Model No.

BL-5707-01

Item No.

Travelers Rest, SC: 800-476-4103 • Simi Valley, CA: 800-423-0150 • Fax: 864-834-3518 • www.tsbrass.com



ADA Compliant

This Space for Architect/Engineer Approval

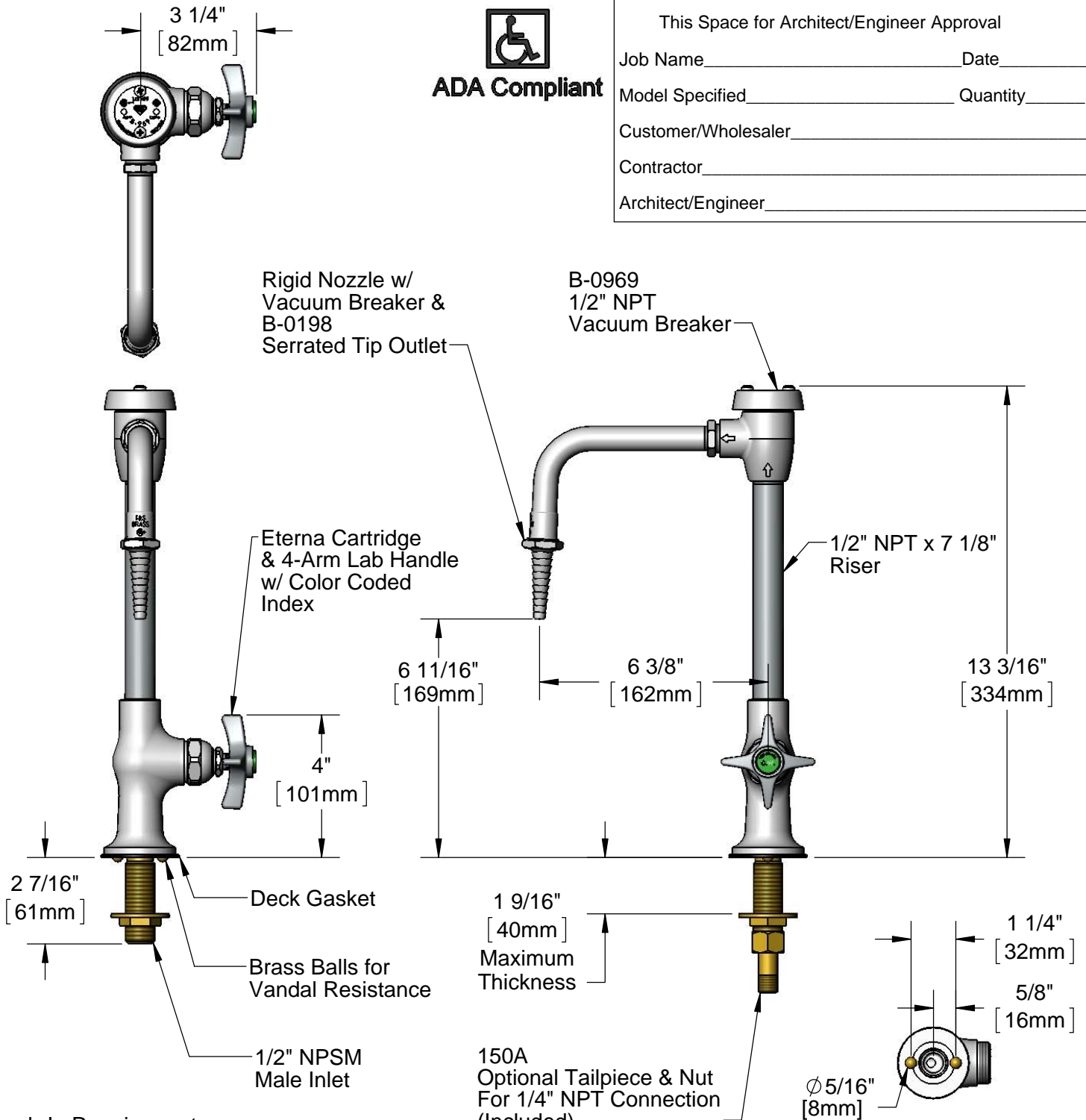
Job Name _____ Date _____

Model Specified _____ Quantity _____

Customer/Wholesaler _____

Contractor _____

Architect/Engineer _____



Rough-In Requirement:
Ø 1" [25mm] Mounting Hole

Product Specifications:

Single Hole Single Temperature Deck Mount Vandal Resistant Laboratory Faucet, Eterna Cartridge, 4-Arm Lab Handle, Rigid Vacuum Breaker Nozzle, Serrated Tip Outlet & 1/2" NPSM Male Shank Inlet

Product Compliance:

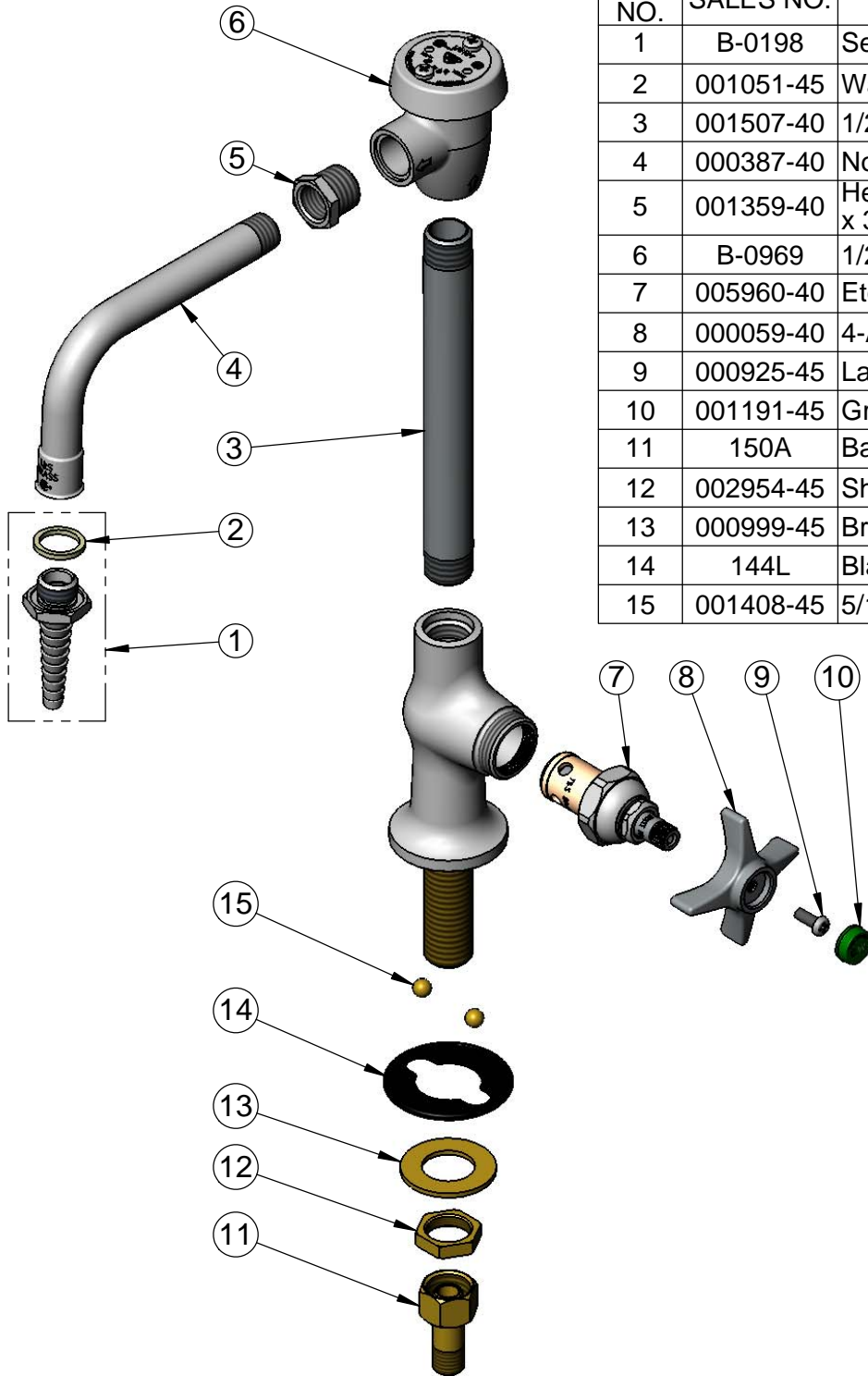
ASME A112.18.1 / CSA B125.1
NSF 61 Exempt (Non-Potable)
ANSI A117.1 (ADA)
ASSE 1001 (VB)



T&S BRASS AND BRONZE WORKS, INC.
 2 Saddleback Cove / P.O. Box 1088
 Travelers Rest, SC 29690

Model No.
BL-5707-01
 Item No.

Travelers Rest, SC: 800-476-4103 • Simi Valley, CA: 800-423-0150 • Fax: 864-834-3518 • www.tsbrass.com



ITEM NO.	SALES NO.	DESCRIPTION
1	B-0198	Serrated Tip w/ Washer
2	001051-45	Washer
3	001507-40	1/2" NPT x 7 1/8" Riser
4	000387-40	Nozzle
5	001359-40	Hex Bushing, 1/2" NPT Male x 3/8" NPT Female
6	B-0969	1/2" NPT Vacuum Breaker
7	005960-40	Eterna Cartridge - RTC
8	000059-40	4-Arm Lab Handle
9	000925-45	Lab Handle Screw
10	001191-45	Green Index - CW
11	150A	Bag of (1) Nut & (1) Tailpiece
12	002954-45	Shank Lock Nut
13	000999-45	Brass Lock Washer
14	144L	Black Plastic Deck Gasket
15	001408-45	5/16" Brass Ball

Product Specifications:

Single Hole Single Temperature Deck Mount Vandal Resistant Laboratory Faucet, Eterna Cartridge, 4-Arm Lab Handle, Rigid Vacuum Breaker Nozzle, Serrated Tip Outlet & 1/2" NPSM Male Shank Inlet

Product Compliance:

ASME A112.18.1 / CSA B125.1
 NSF 61 Exempt (Non-Potable)
 ANSI A117.1 (ADA)
 ASSE 1001 (VB)



T&S BRASS AND BRONZE WORKS, INC.

2 Saddleback Cove / P.O. Box 1088
Travelers Rest, SC 29690

Model No.
BL-5707-01CRWH4

Item No.

Travelers Rest, SC: 800-476-4103 • Simi Valley, CA: 800-423-0150 • Fax: 864-834-3518 • www.tsbrass.com



ADA Compliant

This Space for Architect/Engineer Approval

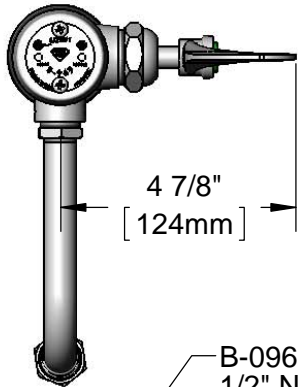
Job Name _____ Date _____

Model Specified _____ Quantity _____

Customer/Wholesaler _____

Contractor _____

Architect/Engineer _____

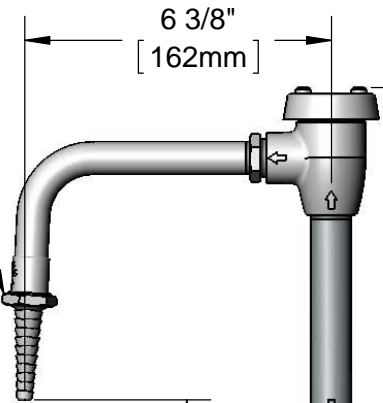


4 7/8"
[124mm]

B-0969
1/2" NPT
Vacuum Breaker
Rigid Vacuum Breaker
Gooseneck &
B-0198
Serrated Tip Outlet

1/2" NPT x 7 1/8"
Riser

Cerama Cartridge &
4" Wrist Action Handle
w/ Color Coded Index



6 3/8"
[162mm]

6 11/16"
[169mm]



13 3/16"
[334mm]

Mounting
Surface

2 7/16"
[61mm]

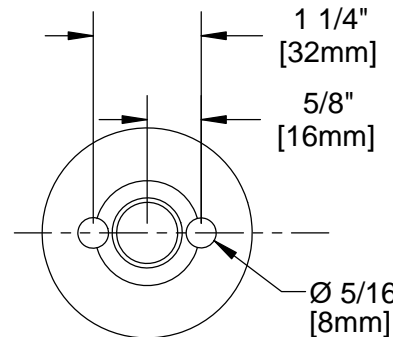
Ø 2 3/16" [56mm]
Gasket

Brass Balls for
Vandal Resistance

1/2" NPSM
Male Inlet

1 1/2"
[38mm]
Maximum
Thickness

150A
Optional Tailpiece & Nut
for 1/4" NPT Connection
(Included)



Base Drilling Detail

Rough-In Requirement:
Ø 1" [25mm] Mounting Hole

Product Specifications:

Single Hole Single Temperature VR Deck Mount Laboratory Faucet, Cerama Cartridge, 4" Wrist Action Handle, Rigid Vacuum Breaker Nozzle, Serrated Tip Outlet & 1/2" NPSM Male Inlet

Product Compliance:

ASME A112.18.1 / CSA B125.1
NSF 61 Exempt (Non-Potable)
NSF 372 (Low Lead Content)
ANSI A117.1 (ADA)
ASSE 1001 (VB)

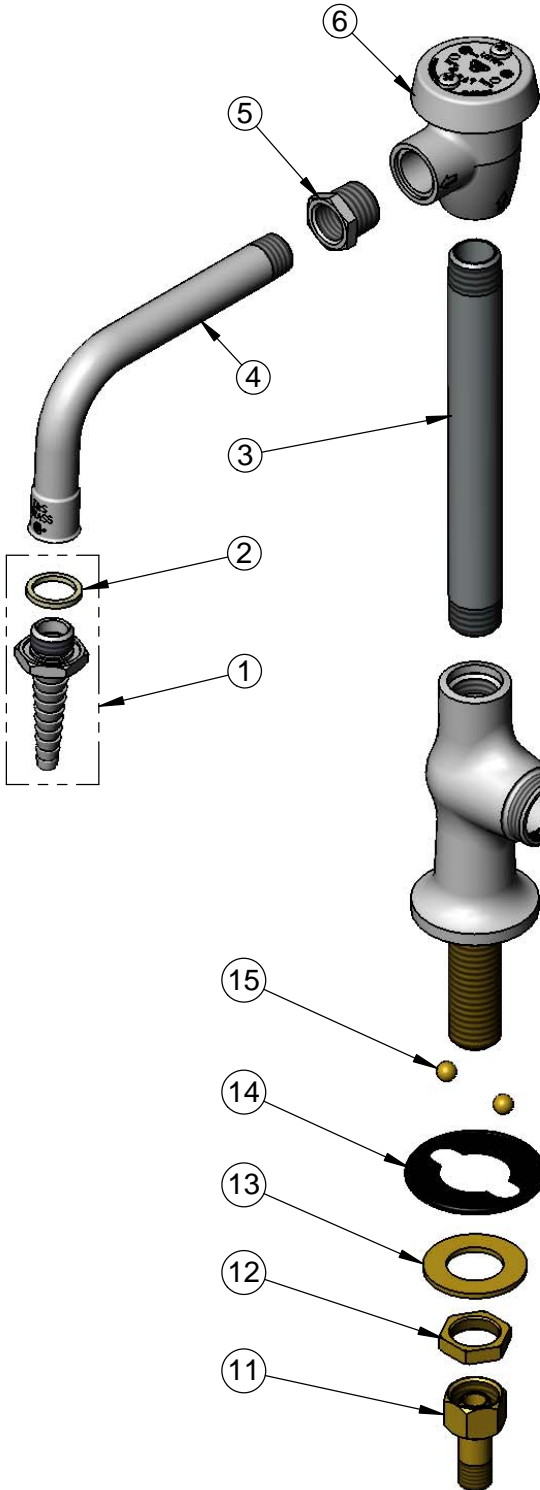


T&S BRASS AND BRONZE WORKS, INC.
 2 Saddleback Cove / P.O. Box 1088
 Travelers Rest, SC 29690

Model No.
BL-5707-01CRWH4

Item No.

Travelers Rest, SC: 800-476-4103 • Simi Valley, CA: 800-423-0150 • Fax: 864-834-3518 • www.tsbrass.com



ITEM NO.	SALES NO.	DESCRIPTION
1	B-0198	Serrated Tip w/ Washer
2	001051-45	Washer
3	001507-40	1/2" NPT x 7 1/8" Riser
4	000387-40	Nozzle
5	001359-40	Hex Bushing, 1/2" NPT Male x 3/8" NPT Female
6	B-0969	1/2" NPT Vacuum Breaker
7	011278-25	Cerama Cartridge, RTC
8	B-WH4	4" Wrist Action Handle
9	000925-45	Lab Handle Screw
10	001191-45	Green Index - CW
11	150A	1/4" NPT Tailpiece & Nut
12	002954-45	Shank Lock Nut
13	000999-45	Brass Lock Washer
14	144L	Black Plastic Gasket
15	001408-45	5/16" Brass Ball

Product Specifications:

Single Hole Single Temperature VR Deck Mount Laboratory Faucet, Cerama Cartridge, 4" Wrist Action Handle, Rigid Vacuum Breaker Nozzle, Serrated Tip Outlet & 1/2" NPSM Male Inlet

Product Compliance:

ASME A112.18.1 / CSA B125.1
 NSF 61 Exempt (Non-Potable)
 NSF 372 (Low Lead Content)
 ANSI A117.1 (ADA)
 ASSE 1001 (VB)



T&S BRASS AND BRONZE WORKS, INC.

2 Saddleback Cove / P.O. Box 1088
Travelers Rest, SC 29690

Model No.

BL-5707-01L-QT

Item No.

Travelers Rest, SC: 800-476-4103 • Simi Valley, CA: 800-423-0150 • Fax: 864-834-3518 • www.tsbrass.com



ADA Compliant

This Space for Architect/Engineer Approval

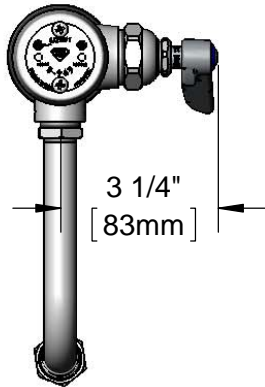
Job Name _____ Date _____

Model Specified _____ Quantity _____

Customer/Wholesaler _____

Contractor _____

Architect/Engineer _____



3 1/4"
[83mm]

B-0969
1/2" NPT
Vacuum Breaker

Rigid Vacuum Breaker
Gooseneck &
B-0198
Serrated Tip Outlet

1/2" NPT x 7 1/8"
Riser

1/4 Turn Eterna
Cartridge & Lever
Handle w/ Color
Coded Index

6 3/8"
[162mm]

13 3/16"
[334mm]

6 11/16"
[169mm]

Mounting Surface

2 7/16"
[61mm]

Ø 2 3/16" [56mm]
Gasket

Brass Balls for
Vandal Resistance

1/2" NPSM
Male Inlet

1 9/16"
[40mm]
Maximum
Thickness

150A
Optional Tailpiece & Nut
for 1/4" NPT Connection
(Included)

1 1/4"
[32mm]
5/8"
[16mm]

Ø 5/16"
[8mm]

Base Drilling Detail

Rough-In Requirement:
Ø 1" [25mm] Mounting Hole

Product Specifications:

Single Hole Single Temperature VR Deck Mount Laboratory Faucet, 1/4 Turn Eterna Cartridge, Lever Handle, Rigid Vacuum Breaker Nozzle, Serrated Tip Outlet & 1/2" NPSM Male Inlet

Product Compliance:

ASME A112.18.1 / CSA B125.1
NSF 61 Exempt (Non-Potable)
NSF 372 (Low Lead Content)
ANSI A117.1 (ADA)
ASSE 1001 (VB)

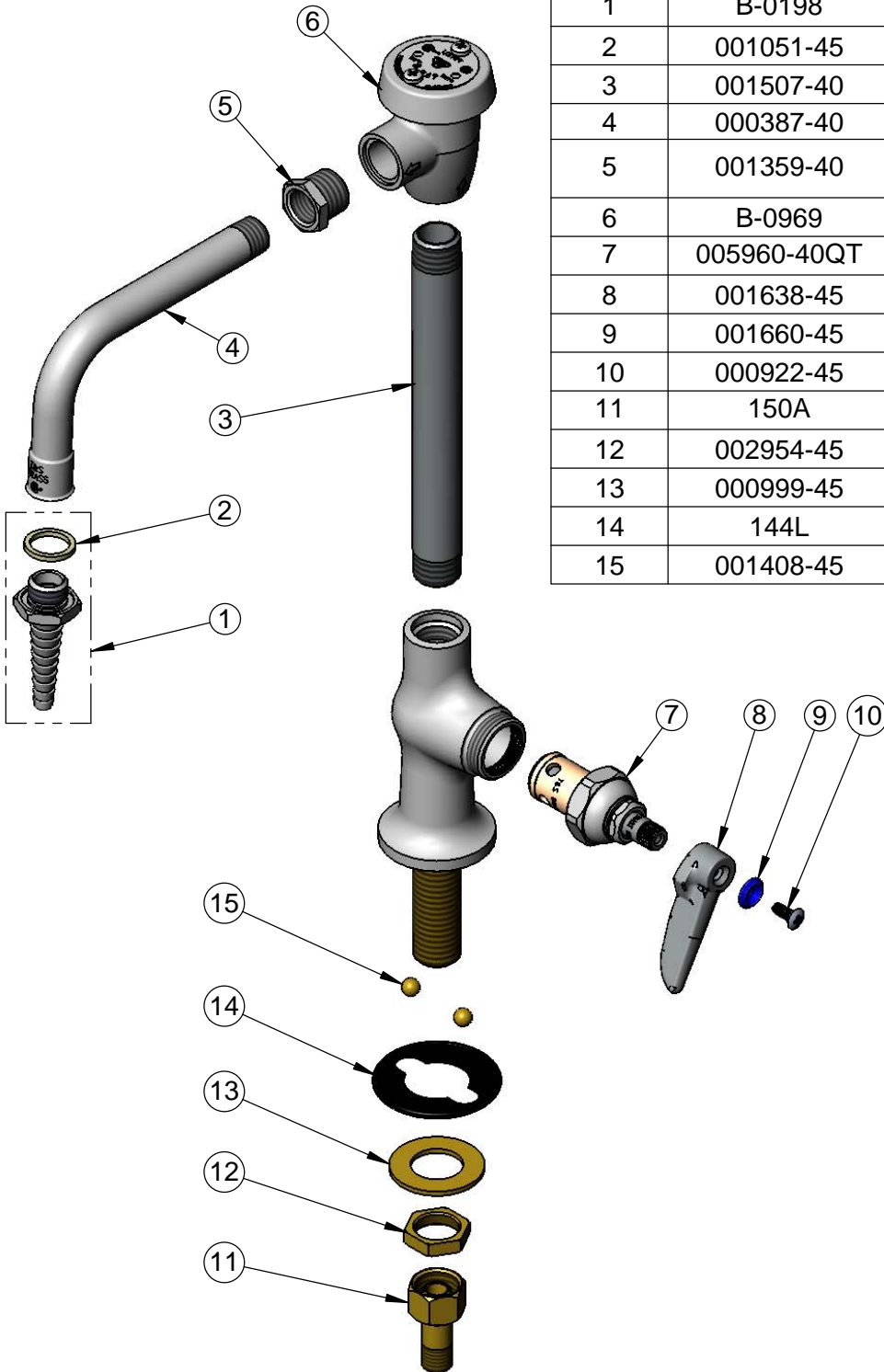


T&S BRASS AND BRONZE WORKS, INC.
 2 Saddleback Cove / P.O. Box 1088
 Travelers Rest, SC 29690

Model No.
BL-5707-01L-QT

Item No.

Travelers Rest, SC: 800-476-4103 • Simi Valley, CA: 800-423-0150 • Fax: 864-834-3518 • www.tsbrass.com



ITEM NO.	SALES NO.	DESCRIPTION
1	B-0198	Serrated Tip w/ Washer
2	001051-45	Washer
3	001507-40	1/2" NPT x 7 1/8" Riser
4	000387-40	Nozzle
5	001359-40	Hex Bushing, 1/2" NPT Male x 3/8" NPT Female
6	B-0969	1/2" NPT Vacuum Breaker
7	005960-40QT	1/4 Turn Eterna Cartridge, RTC
8	001638-45	Lever Handle
9	001660-45	Blue Index-CW
10	000922-45	Lever Handle Screw
11	150A	1/4" NPT Tailpiece & Nut
12	002954-45	Shank Lock Nut
13	000999-45	Brass Lock Washer
14	144L	Black Plastic Gasket
15	001408-45	5/16" Brass Ball

Product Specifications:
 Single Hole Single Temperature VR Deck Mount Laboratory Faucet, 1/4 Turn Eterna Cartridge, Lever Handle, Rigid Vacuum Breaker Nozzle, Serrated Tip Outlet & 1/2" NPSM Male Inlet

Product Compliance:
 ASME A112.18.1 / CSA B125.1
 NSF 61 Exempt (Non-Potable)
 NSF 372 (Low Lead Content)
 ANSI A117.1 (ADA)
 ASSE 1001 (VB)



T&S BRASS AND BRONZE WORKS, INC.
 2 SADDLEBACK COVE / P.O. BOX 1088 / TRAVELERS REST, SC 29690
 PHONE 800-476-4103 - FAX 864- 834-3518



Model No.

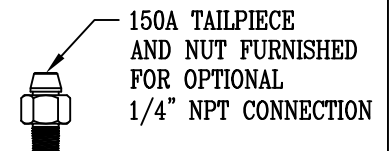
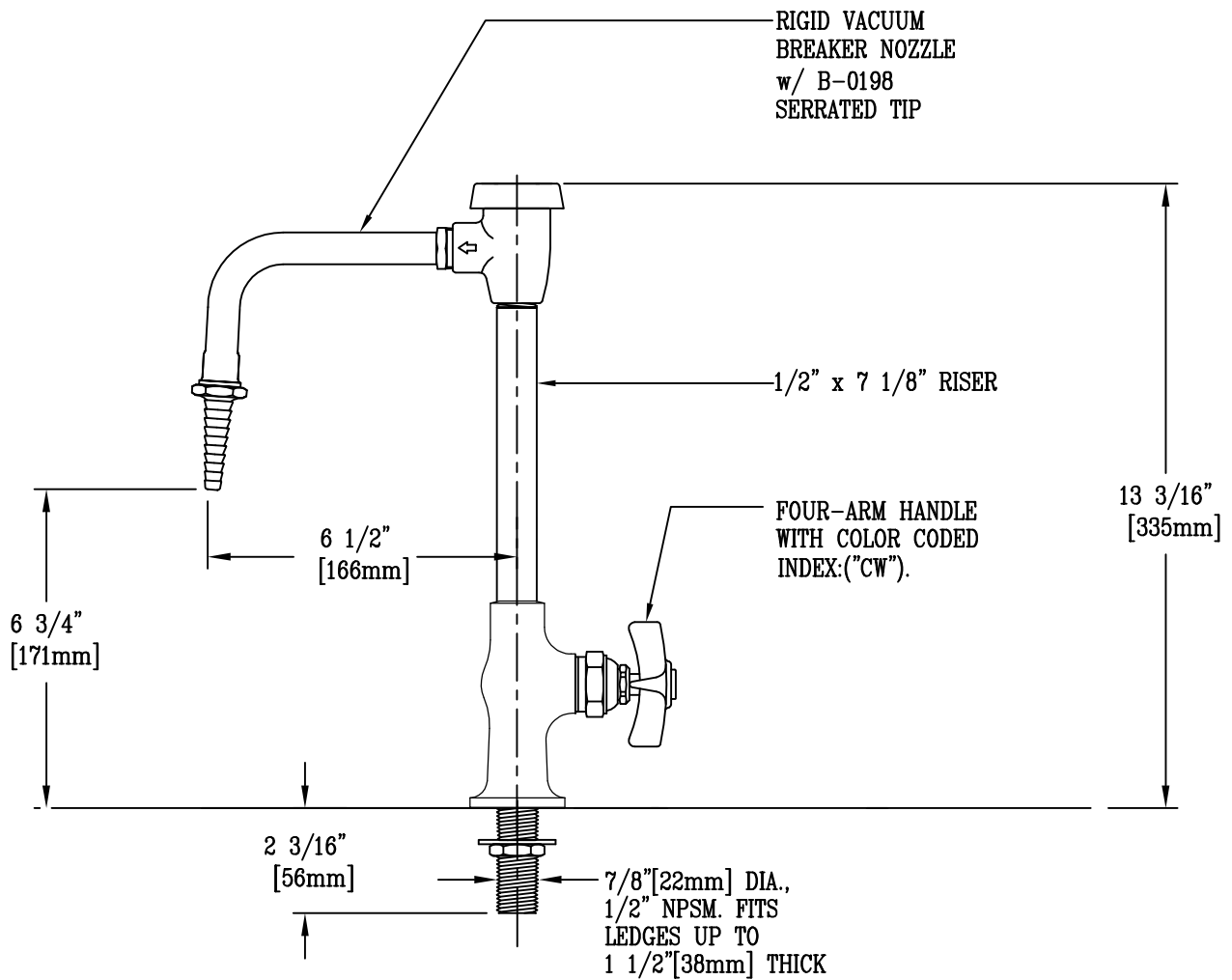
BL-5707-04

**RELIABILITY
 BUILT IN**

Job Name:

Architect/Engineer Approval:

Notes:



Product Description: SINGLE TEMPERATURE LAB FCT. w/ RIGID VACUUM BREAKER NOZZLE, SERRATED TIP OUTLET, 1/2" NPSM MALE SHANK	Drawn: WJS	Checked JHB	Scale: 1 : 4
	Approved JHB	Date: 10/21/05	