



T&S BRASS AND BRONZE WORKS, INC.
 2 Saddleback Cove / P.O. Box 1088
 Travelers Rest, SC 29690

Model No.
BL-5705-01

Item No.

Travelers Rest, SC: 800-476-4103 • Simi Valley, CA: 800-423-0150 • Fax: 864-834-3518 • www.tsbrass.com



ADA Compliant

This Space for Architect/Engineer Approval

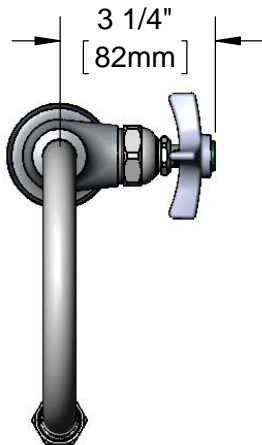
Job Name _____ Date _____

Model Specified _____ Quantity _____

Customer/Wholesaler _____

Contractor _____

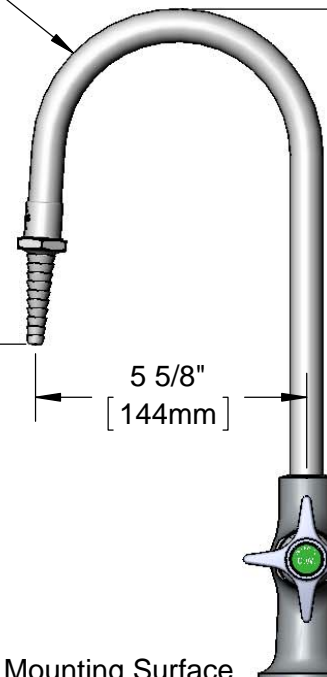
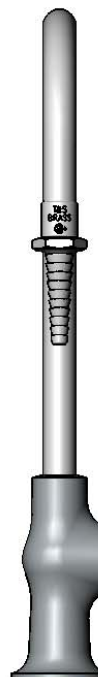
Architect/Engineer _____



Rigid Gooseneck w/
 B-0198
 Serrated Tip w/ Washer



Eterna Cartridge &
 4-Arm Lab Handle w/
 Color Coded Index



14 1/8"
 [359mm]

7 1/8"
 [182mm]

5 5/8"
 [144mm]

4"
 [101mm]

Mounting Surface

2 7/16"
 [61mm]

Deck Gasket

1/2" NPSM
 Male Inlet

1 9/16"
 [40mm]
 Maximum
 Thickness

150A
 Optional Tailpiece & Nut
 for 1/4" NPT Connection
 (Included)

Rough-In Requirement:
 Ø 1" [25mm] Mounting Hole

Product Specifications:
 Single Hole Single Temperature Laboratory Faucet, Eterna Cartridge, 4-Arm
 Lab Handle, Rigid Gooseneck, Serrated Tip & 1/2" NPT Male Inlet

Product Compliance:
 ASME A112.18.1 / CSA B125.1
 NSF 61 Exempt (Non-Potable)
 ANSI A117.1 (ADA)



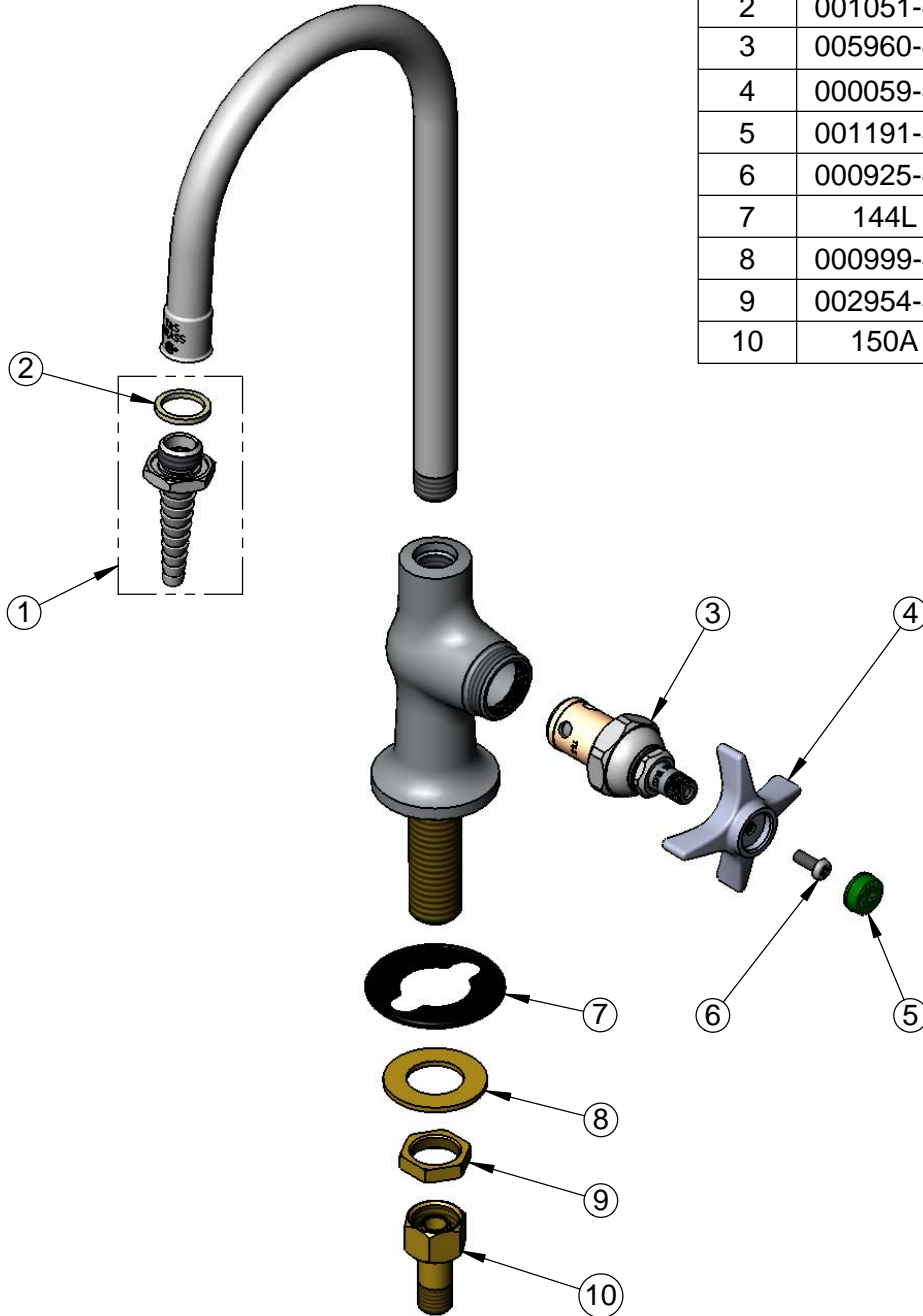
T&S BRASS AND BRONZE WORKS, INC.
 2 Saddleback Cove / P.O. Box 1088
 Travelers Rest, SC 29690

Model No.
BL-5705-01

Item No.

Travelers Rest, SC: 800-476-4103 • Simi Valley, CA: 800-423-0150 • Fax: 864-834-3518 • www.tsbrass.com

ITEM NO.	SALES NO.	DESCRIPTION
1	B-0198	Serrated Tip w/ Washer
2	001051-45	Washer
3	005960-40	Eterna Cartridge, RTC
4	000059-40	4-Arm Lab Handle
5	001191-45	Green Index - CW
6	000925-45	Lab Handle Screw
7	144L	Black Plastic Deck Gasket
8	000999-45	Brass Lock Washer
9	002954-45	Shank Lock Nut
10	150A	1/4" NPT Tailpiece & Nut

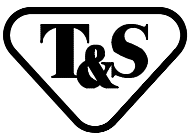


Product Specifications:

Single Hole Single Temperature Laboratory Faucet, Eterna Cartridge, 4-Arm Lab Handle, Rigid Gooseneck, Serrated Tip & 1/2" NPT Male Inlet

Product Compliance:

ASME A112.18.1 / CSA B125.1
 NSF 61 Exempt (Non-Potable)
 ANSI A117.1 (ADA)



T&S BRASS AND BRONZE WORKS, INC.
 2 SADDLEBACK COVE / P.O. BOX 1088 / TRAVELERS REST, SC 29690
 PHONE 800-476-4103 - FAX 864- 834-3518



Model No.

BL-5705-02

**RELIABILITY
BUILT IN**

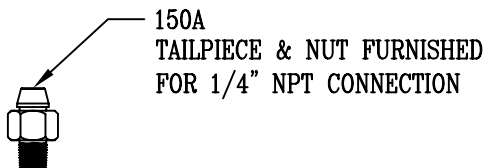
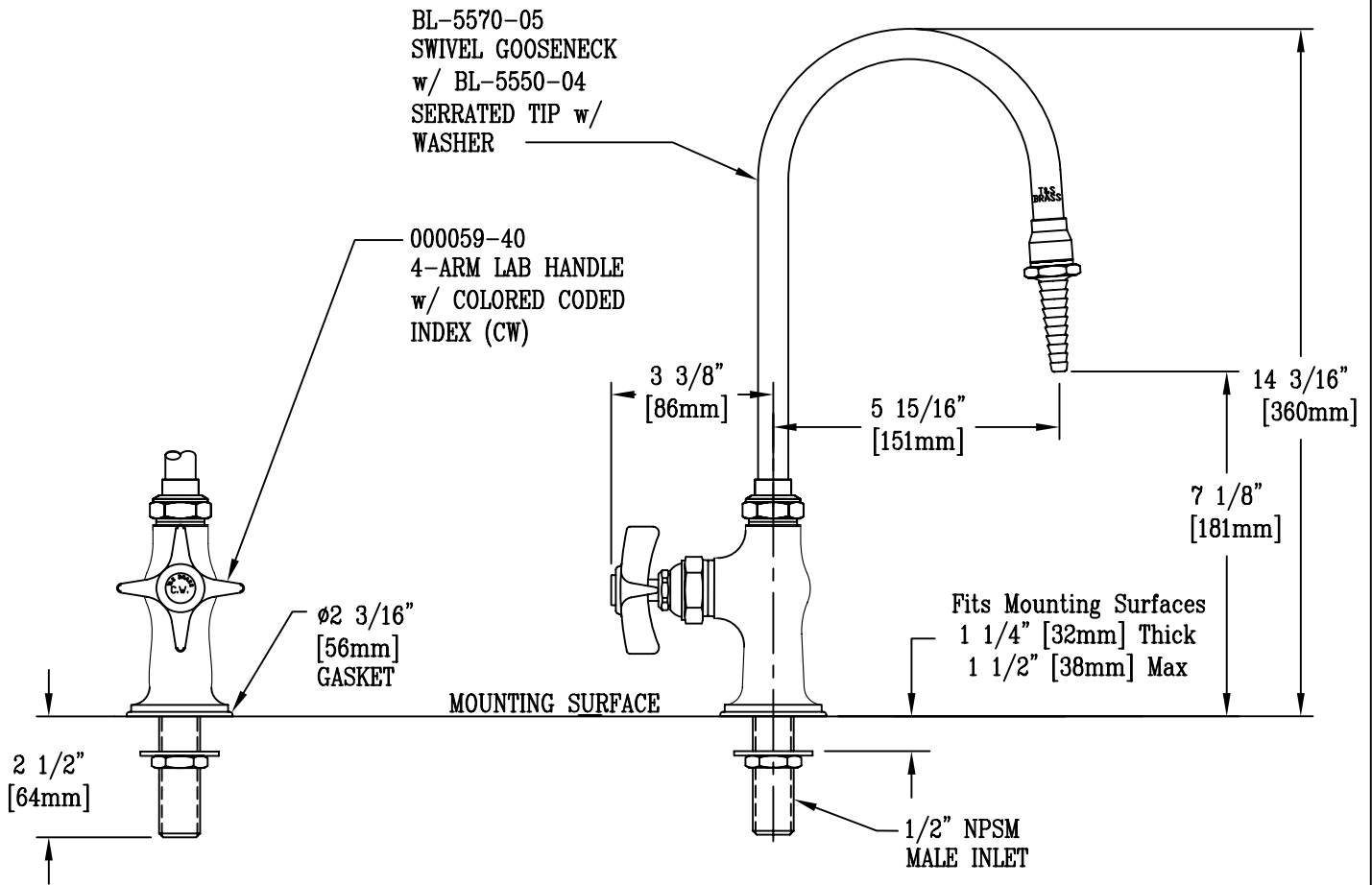
Job Name:

Architect/Engineer Approval:

Notes:



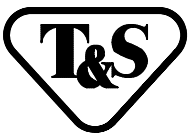
ADA COMPLIANT



NOTE: ROUGH-IN REQUIREMENT
Ø1" [25mm] HOLE

Product Description:
 VANDEL RESISTANT SINGLE LEDGE LAB FAUCET w/
 SWIVEL GOOSENECK, SERRATED TIP & 1/2" NPSM
 MALE INLET

Drawn:	Checked:	Scale:
KJG	DHL	1 : 4
Approved:	Date:	
JHB	11/25/09	



T&S BRASS AND BRONZE WORKS, INC.
 2 SADDLEBACK COVE / P.O. BOX 1088 / TRAVELERS REST, SC 29690
 PHONE 800-476-4103 - FAX 864- 834-3518



Model No.

BL-5705-03

**RELIABILITY
BUILT IN**

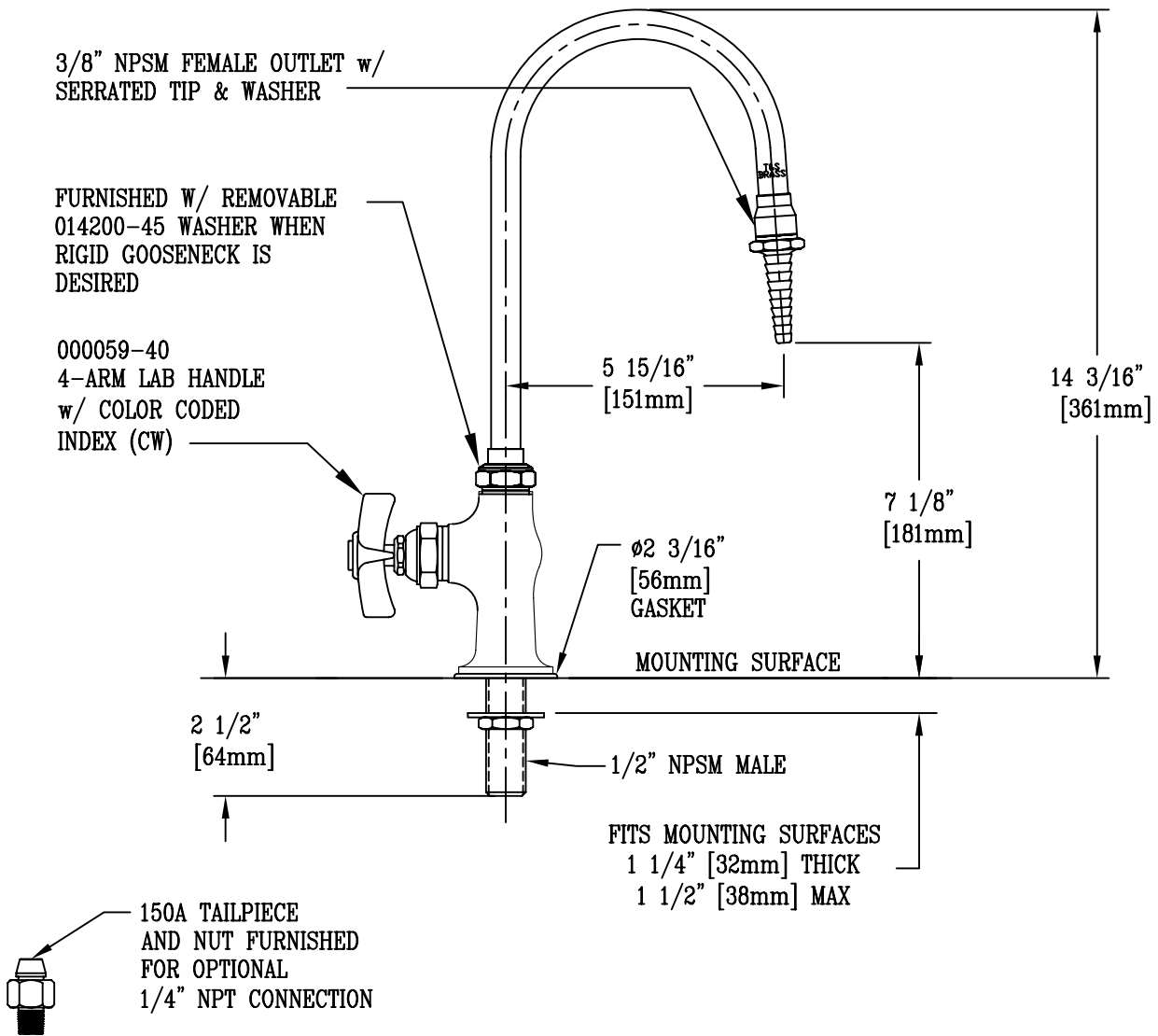
Job Name:

Architect/Engineer Approval:

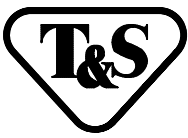
Notes:



ADA COMPLIANT



Product Description: SINGLE TEMPERATURE LAB FCT. w/ SWIVEL GOOSENECK, SERRATED TIP, & 1/2" NPSM MALE INLET	Drawn: KJG	Checked DHL	Scale: 1 : 4
	Approved JHB	Date: 07/23/09	



T&S BRASS AND BRONZE WORKS, INC.
 2 SADDLEBACK COVE / P.O. BOX 1088 / TRAVELERS REST, SC 29690
 PHONE 800-476-4103 - FAX 864- 834-3518



Model No.

BL-5705-04

**RELIABILITY
 BUILT IN**

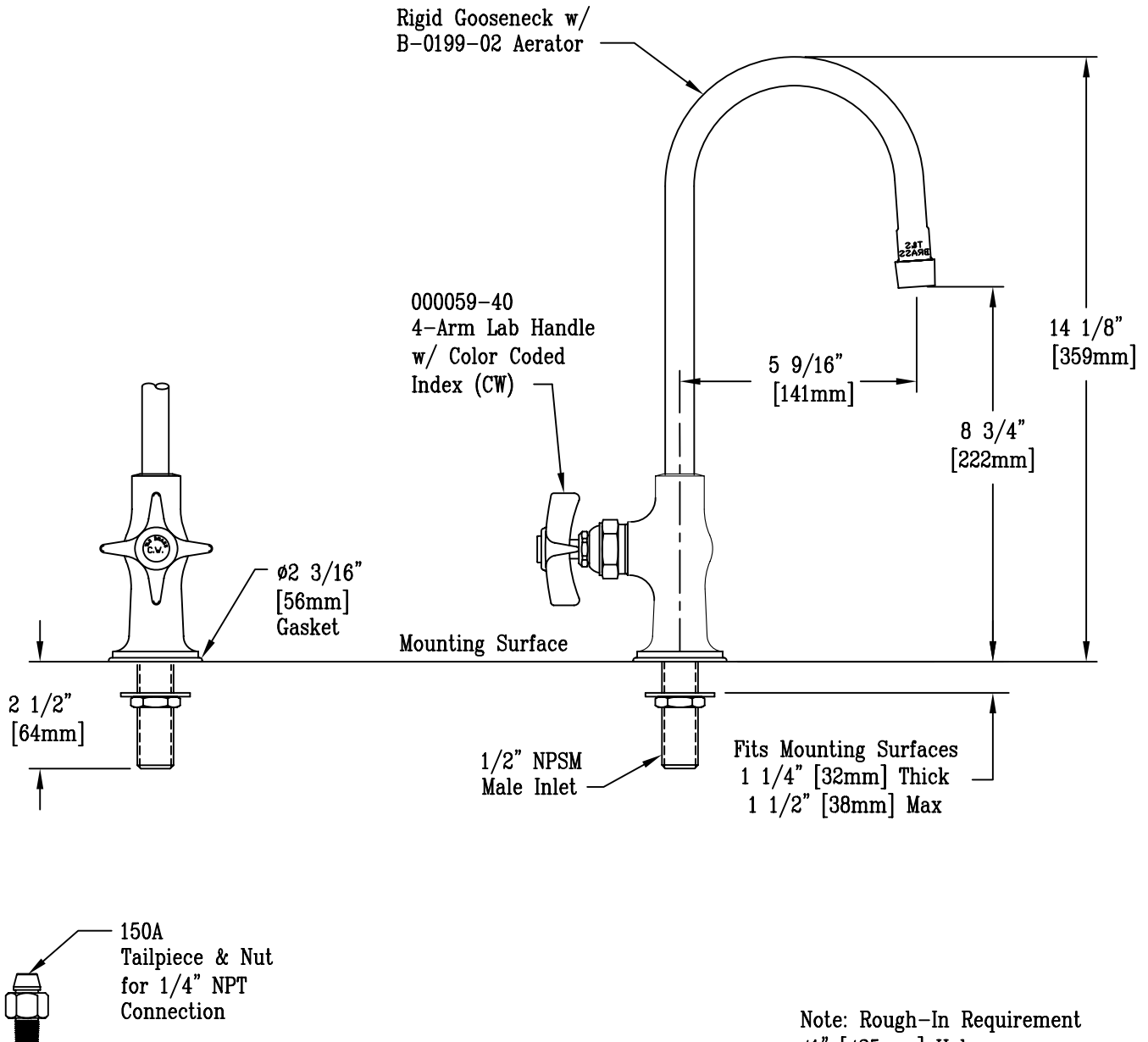
Job Name:

Architect/Engineer Approval:

Notes:

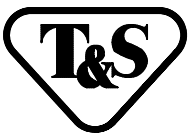


ADA COMPLIANT



Product Description:
 Single Temperature Lab Faucet w/ Rigid,
 Gooseneck, B-0199-02 Aerator & 1/2" NPSM
 Male Inlet

Drawn: KJG	Checked DHL	Scale: 1 : 4
Approved JHB	Date: 07/23/09	



T&S BRASS AND BRONZE WORKS, INC.
 2 SADDLEBACK COVE / P.O. BOX 1088 / TRAVELERS REST, SC 29690
 PHONE 800-476-4103 - FAX 864- 834-3518



Model No.

BL-5705-04

**RELIABILITY
BUILT IN**

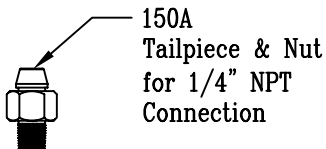
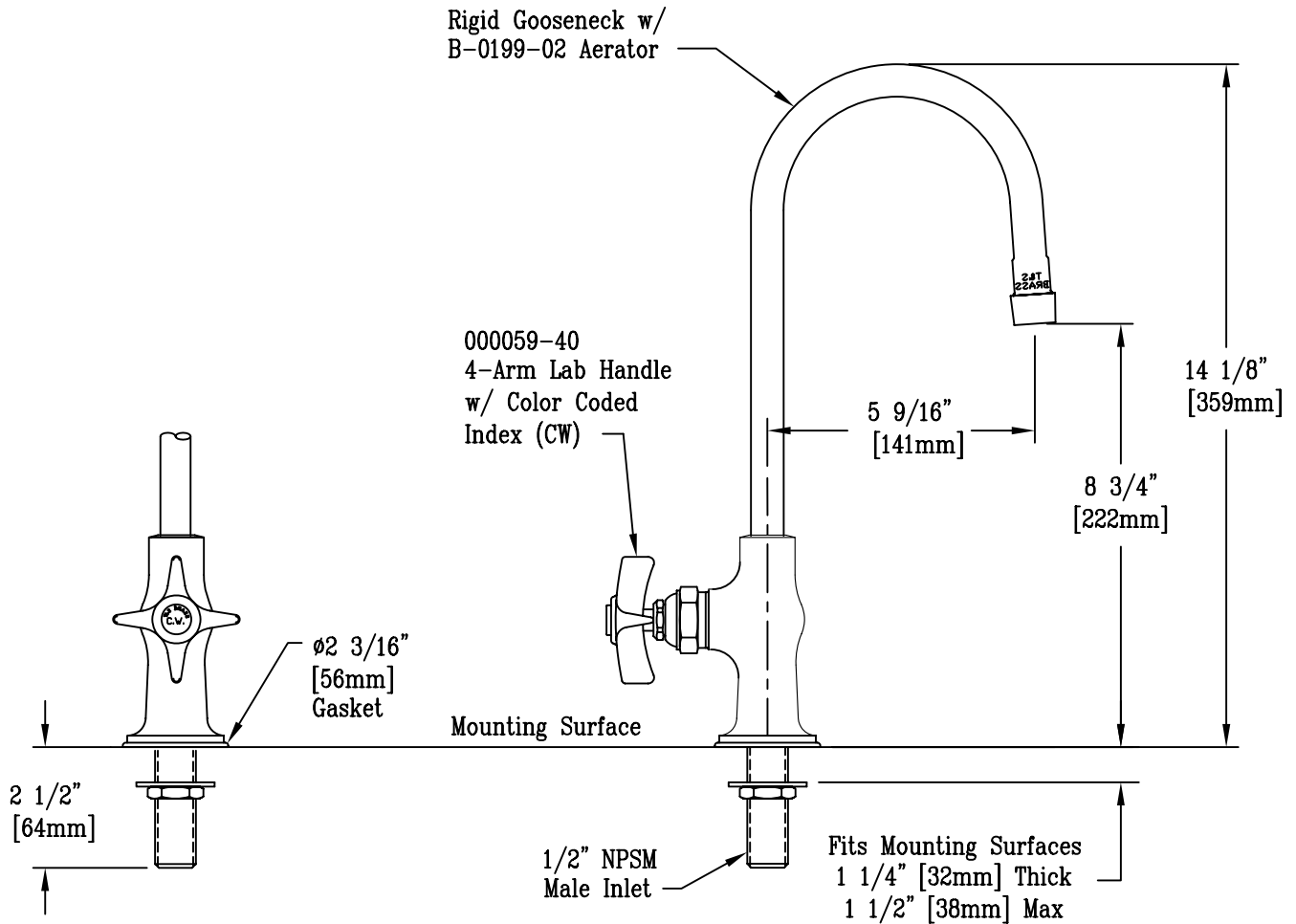
Job Name:

Architect/Engineer Approval:

Notes:



ADA COMPLIANT



**Note: Rough-In Requirement
ø1" [ø25mm] Hole**

Product Description:
 Single Temperature Lab Faucet w/ Rigid,
 Gooseneck, B-0199-02 Aerator & 1/2" NPSM
 Male Inlet

Drawn: KJG	Checked DHL	Scale: 1 : 4
Approved JHB	Date: 07/23/09	