



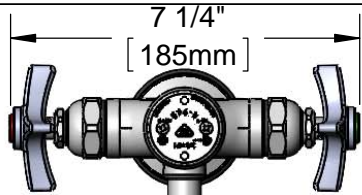
T&S BRASS AND BRONZE WORKS, INC.
 2 Saddleback Cove / P.O. Box 1088
 Travelers Rest, SC 29690

Model No.

BL-5704-08

Item No.

Travelers Rest, SC: 800-476-4103 • Simi Valley, CA: 800-423-0150 • Fax: 864-834-3518 • www.tsbrass.com



7 1/4"
[185mm]



ADA Compliant

This Space for Architect/Engineer Approval

Job Name _____ Date _____

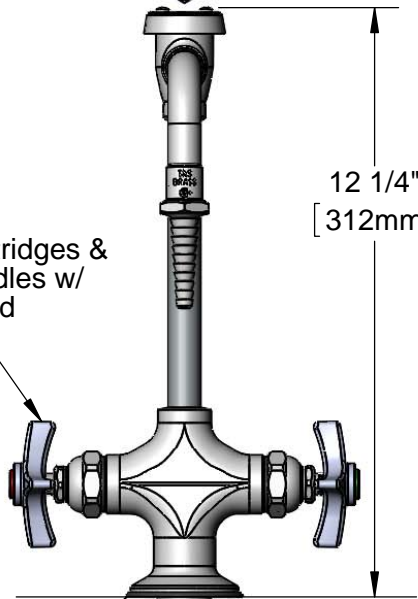
Model Specified _____ Quantity _____

Customer/Wholesaler _____

Contractor _____

Architect/Engineer _____

Eterna Cartridges &
4-Arm Handles w/
Color Coded
Indexes



12 1/4"
[312mm]

Ø 2 7/16"
Base Gasket

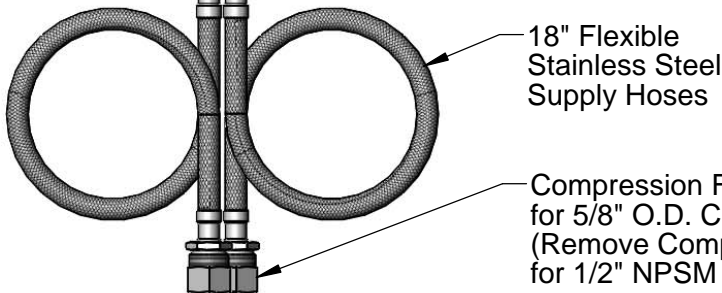
B-0968
3/8" NPT
Vacuum Breaker
Vacuum Breaker
Nozzle &
B-0198
Serrated
Tip and
Washer

5 11/16"
[144mm]

6"
[153mm]

Mounting Surface

1" [25mm]
Maximum
Thickness



18" Flexible
Stainless Steel
Supply Hoses

Compression Fittings
for 5/8" O.D. Copper Tubing
(Remove Compression Nut
for 1/2" NPSM Male)

Rough-In Requirement:
1 1/4" [Ø 32mm] Mounting Holes

Product Specifications:

Single Hole Deck Mount Laboratory Mixing Faucet w/ Rigid Vacuum
Breaker Nozzle, Serrated Tip Outlet, 4-Arm Handles & 18" Flexible Stainless
Steel Supply Hoses w/ 1/2" NPSM Male Inlets

Product Compliance:

ASME A112.18.1 / CSA B125.1
NSF 61 Exempt (Non-Potable)
ANSI A117.1 (ADA)
ASSE 1001 (VB)

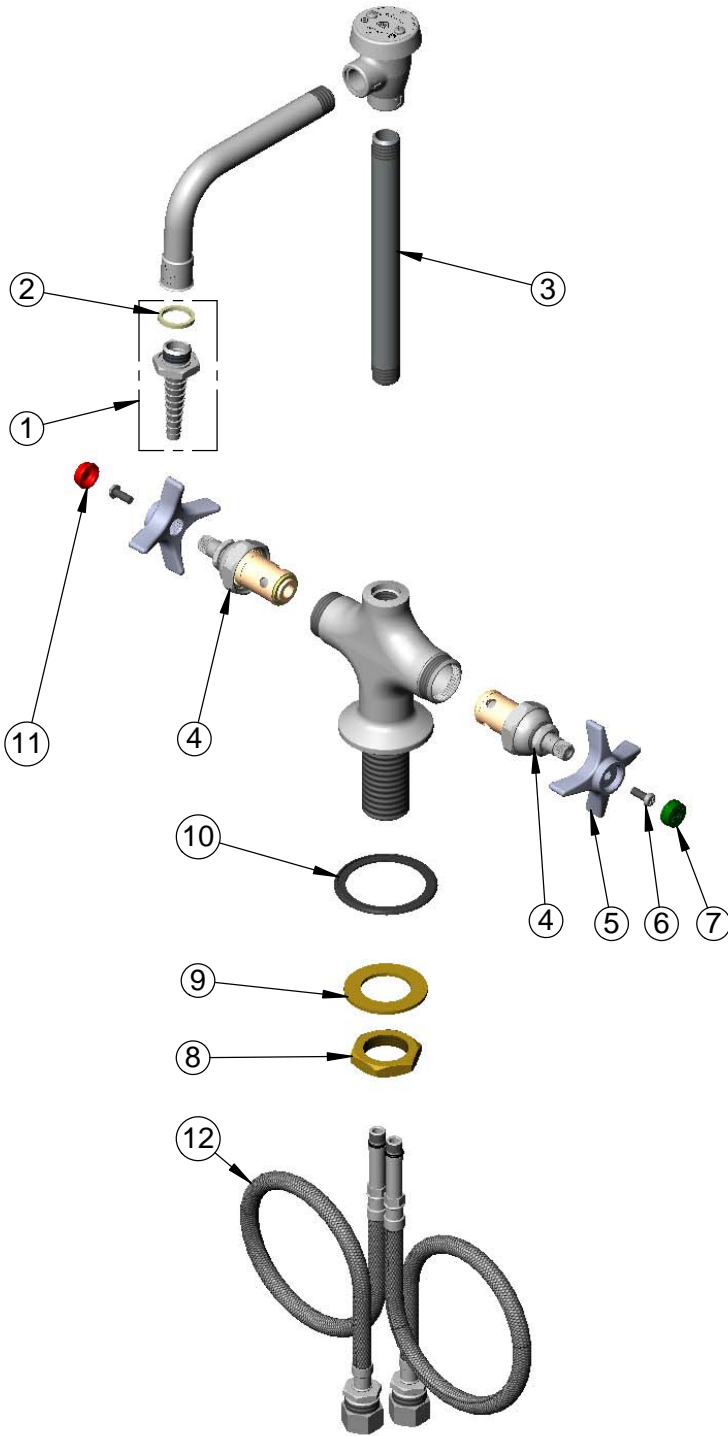


T&S BRASS AND BRONZE WORKS, INC.
 2 Saddleback Cove / P.O. Box 1088
 Travelers Rest, SC 29690

Model No.
BL-5704-08

Item No.

Travelers Rest, SC: 800-476-4103 • Simi Valley, CA: 800-423-0150 • Fax: 864-834-3518 • www.tsbrass.com



ITEM NO.	SALES NO.	DESCRIPTION
1	B-0198	Serrated Tip w/ Washer
2	001051-45	Washer
3	000363-40	3/8" NPT x 7" Riser
4	005960-40	Eterna Cartridge, RTC
5	000059-40	4-Arm Lab Handle
6	000925-45	Lab Handle Screw
7	001191-45	Green Index - CW
8	000965-45	Lock Nut
9	002290-45	Lock Washer
10	145L	Black Plastic Gasket
11	001194-45	Red Index - HW
12	012534-45	18" Flexible Supply Hose (2)

Product Specifications:

Single Hole Deck Mount Laboratory Mixing Faucet w/ Rigid Vacuum Breaker Nozzle, Serrated Tip Outlet, 4-Arm Handles & 18" Flexible Stainless Steel Supply Hoses w/ 1/2" NPSM Male Inlets

Product Compliance:

ASME A112.18.1 / CSA B125.1
 NSF 61 Exempt (Non-Potable)
 ANSI A117.1 (ADA)
 ASSE 1001 (VB)

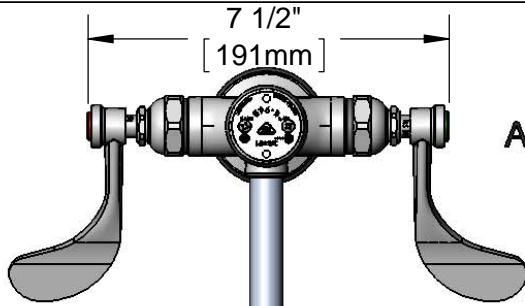


T&S BRASS AND BRONZE WORKS, INC.
 2 Saddleback Cove / P.O. Box 1088
 Travelers Rest, SC 29690

Model No.
BL-5704-08WH4

Item No.

Travelers Rest, SC: 800-476-4103 • Simi Valley, CA: 800-423-0150 • Fax: 864-834-3518 • www.tsbrass.com



ADA Compliant

This Space for Architect/Engineer Approval

Job Name _____ Date _____

Model Specified _____ Quantity _____

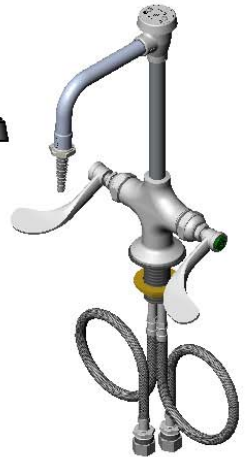
Customer/Wholesaler _____

Contractor _____

Architect/Engineer _____

Rigid Nozzle w/ 3/8" NPT Vacuum Breaker & B-0198 Serrated Tip w/ Washer

B-0968 3/8" NPT Vacuum Breaker



Eterna Cartridges & 4" Wrist Action Handles w/ Color Coded Indexes

12 1/4" [311mm]

2 3/8" [60mm]

6" [153mm]

5 11/16" [144mm]

Mounting Surface

Deck Gasket

1 3/8" [35mm] Maximum Thickness

Ø2 1/4" [57mm] Flange

18" Flexible Stainless Steel Supply Hoses

Compression Fittings for 5/8" O.D. Copper Tubing (Remove Compression Nut for 1/2" NPSM Male)

Rough-In Requirement:
 1 1/2" [Ø 38mm] Mounting Hole

Product Specifications:
 Single Hole Deck Mount Mixing Faucet, Eterna Cartridge, Rigid Nozzle w/ Serrated Tip Outlet, 3/8" NPT Vacuum Breaker, 4" Wrist Action Handles & 18" Flexible Stainless Steel Supply Hoses w/ 1/2" NPSM Male Inlets

Product Compliance:
 ASME A112.18.1 / CSA B125.1
 NSF 61 Exempt (Non-Potable)
 ASSE 1001 (VB)
 ANSI A117.1 (ADA)



T&S BRASS AND BRONZE WORKS, INC.

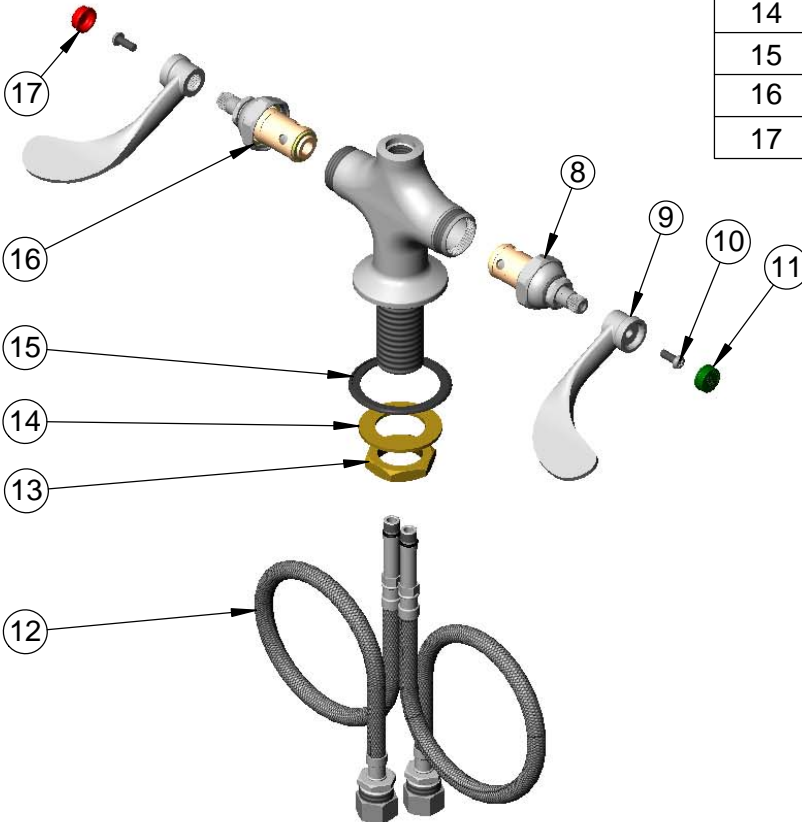
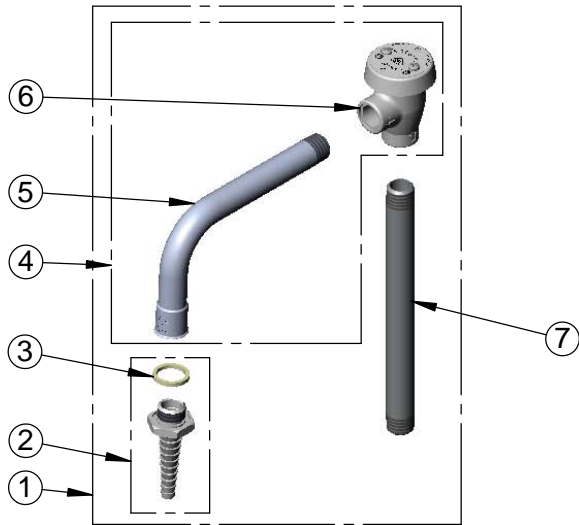
2 Saddleback Cove / P.O. Box 1088
Travelers Rest, SC 29690

Model No.

BL-5704-08WH4

Item No.

Travelers Rest, SC: 800-476-4103 • Simi Valley, CA: 800-423-0150 • Fax: 864-834-3518 • www.tsbrass.com



ITEM NO.	SALES NO.	DESCRIPTION
1	BL-5560-01	Rigid Nozzle w/ Vacuum Breaker Serrated Tip & 3/8" NPT x 7" Nipple Inlet
2	B-0198	Serrated Tip w/ Washer
3	001051-45	Washer
4	007283-40	Nozzle w/ Vacuum Breaker Only
5	000387-40	Nozzle
6	B-0968	3/8" NPT Vacuum Breaker
7	000363-40	Nipple, 3/8" NPT x 7"
8	006009-40	Eterna Cartridge, LTC
9	B-WH4	4" Wrist Action Handle
10	000925-45	Lab Handle Screw
11	001191-45	Green Index - CW
12	012534-45	18" Flexible Supply Hose (2)
13	000965-45	Lock Nut
14	002290-45	Lock Washer
15	145L	Black Plastic Gasket
16	006010-40	Eterna Cartridge, RTC
17	001194-45	Red Index - HW

Product Specifications:

Single Hole Deck Mount Mixing Faucet, Eterna Cartridge, Rigid Nozzle w/ Serrated Tip Outlet, 3/8" NPT Vacuum Breaker, 4" Wrist Action Handles & 18" Flexible Stainless Steel Supply Hoses w/ 1/2" NPSM Male Inlets

Product Compliance:

ASME A112.18.1 / CSA B125.1
NSF 61 Exempt (Non-Potable)
ASSE 1001 (VB)
ANSI A117.1 (ADA)



T&S BRASS AND BRONZE WORKS, INC.

2 Saddleback Cove / P.O. Box 1088
Travelers Rest, SC 29690

Model No.
BL-5704-08L-QT

Item No.

Travelers Rest, SC: 800-476-4103 • Simi Valley, CA: 800-423-0150 • Fax: 864-834-3518 • www.tsbrass.com



ADA Compliant

This Space for Architect/Engineer Approval

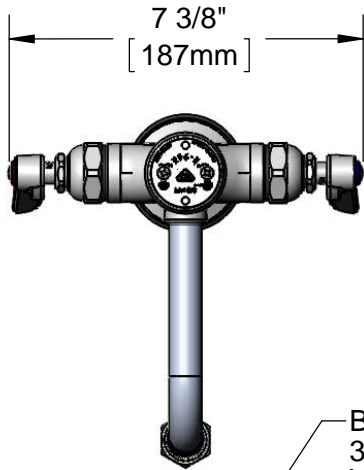
Job Name _____ Date _____

Model Specified _____ Quantity _____

Customer/Wholesaler _____

Contractor _____

Architect/Engineer _____



B-0968
3/8" NPT
Vacuum Breaker

Rigid Nozzle w/
Vacuum Breaker &
B-0198
Serrated Tip w/ Washer

3/8" NPT x 7" Riser

1/4 Turn Eterna Cartridges
& Lever Handles w/ Color
Coded Indexes

2 3/8"
[60mm]

Mounting
Surface

Ø 2 7/16"
[62mm]
Deck Gasket

18" Flexible
Stainless Steel
Supply Hoses

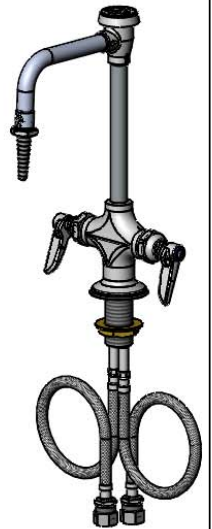
Compression Fittings
for 5/8" O.D. Copper Tubing
(Remove Compression Nut
for 1/2" NPSM Male)

5 11/16"
[144mm]

6"
[152mm]

12 1/4"
[311mm]

1 3/8"
[34mm]
Maximum
Thickness



Rough-In Requirement:
Ø 1 1/2" [38mm] Mounting Hole

Product Specifications:

Single Hole Deck Mount Laboratory Mixing Faucet, 1/4 Turn Eterna Cartridges, Lever Handles, Rigid Vacuum Breaker Nozzle w/ Serrated Tip Outlet, 18" Flexible Stainless Steel Supply Hoses w/ 1/2" NPSM Male Inlets

Product Compliance:

ASME A112.18.1 / CSA B125.1
NSF 61 Exempt (Non-Potable)
ANSI A117.1 (ADA)
ASSE 1001 (VB)



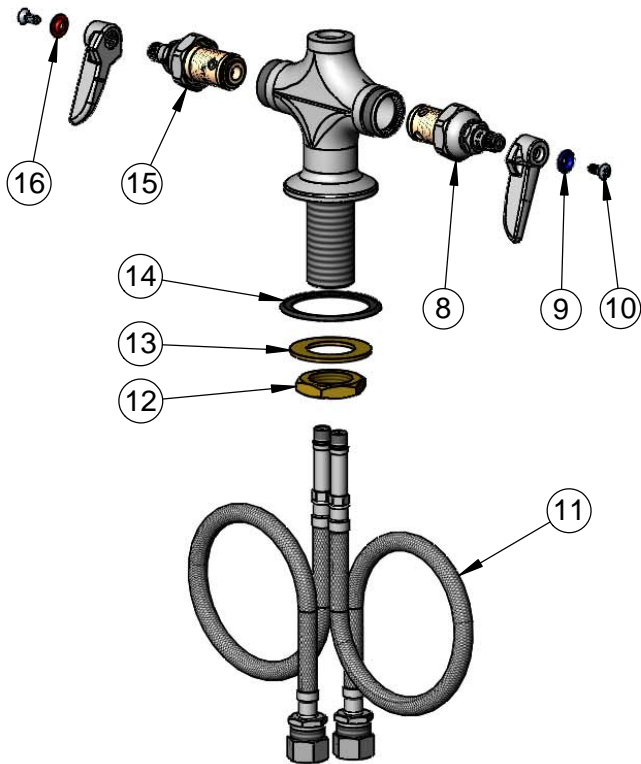
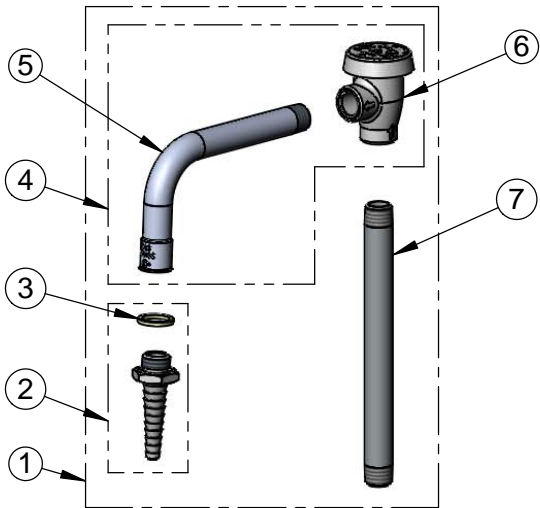
T&S BRASS AND BRONZE WORKS, INC.
 2 Saddleback Cove / P.O. Box 1088
 Travelers Rest, SC 29690

Model No.
BL-5704-08L-QT

Item No.

Travelers Rest, SC: 800-476-4103 • Simi Valley, CA: 800-423-0150 • Fax: 864-834-3518 • www.tsbrass.com

ITEM NO.	SALES NO.	DESCRIPTION
1	BL-5560-01	Rigid Vacuum Breaker Gooseneck w/ Serrated Tip Outlet & 3/8" NPT x 7" Riser
2	B-0198	Serrated Tip w/ Washer
3	001051-45	Washer, Serrated Tip
4	007283-40	Vacuum Breaker Nozzle
5	000387-40	Nozzle
6	B-0968	3/8" NPT Vacuum Breaker
7	000363-40	3/8" NPT x 7" Riser
8	005959-40QT	1/4 Turn Eterna Cartridge, LTC
9	001660-45	Blue Index-CW
10	000922-45	Lever Handle Screw
11	012534-45	18" Flexible Supply Hose (2)
12	000965-45	Lock Nut
13	002290-45	Lock Washer
14	145L	Black Plastic Gasket
15	005960-40QT	1/4 Turn Eterna Cartridge, RTC
16	001661-45	Red Index-HW



Product Specifications:
 Single Hole Deck Mount Laboratory Mixing Faucet, 1/4 Turn Eterna Cartridges, Lever Handles, Rigid Vacuum Breaker Nozzle w/ Serrated Tip Outlet, 18" Flexible Stainless Steel Supply Hoses w/ 1/2" NPSM Male Inlets

Product Compliance:
 ASME A112.18.1 / CSA B125.1
 NSF 61 Exempt (Non-Potable)
 ANSI A117.1 (ADA)
 ASSE 1001 (VB)



T&S BRASS AND BRONZE WORKS, INC.

2 Saddleback Cove / P.O. Box 1088
Travelers Rest, SC 29690

Model No.

BL-5704-09

Item No.

Travelers Rest, SC: 800-476-4103 • Simi Valley, CA: 800-423-0150 • Fax: 864-834-3518 • www.tsbrass.com



ADA Compliant

This Space for Architect/Engineer Approval

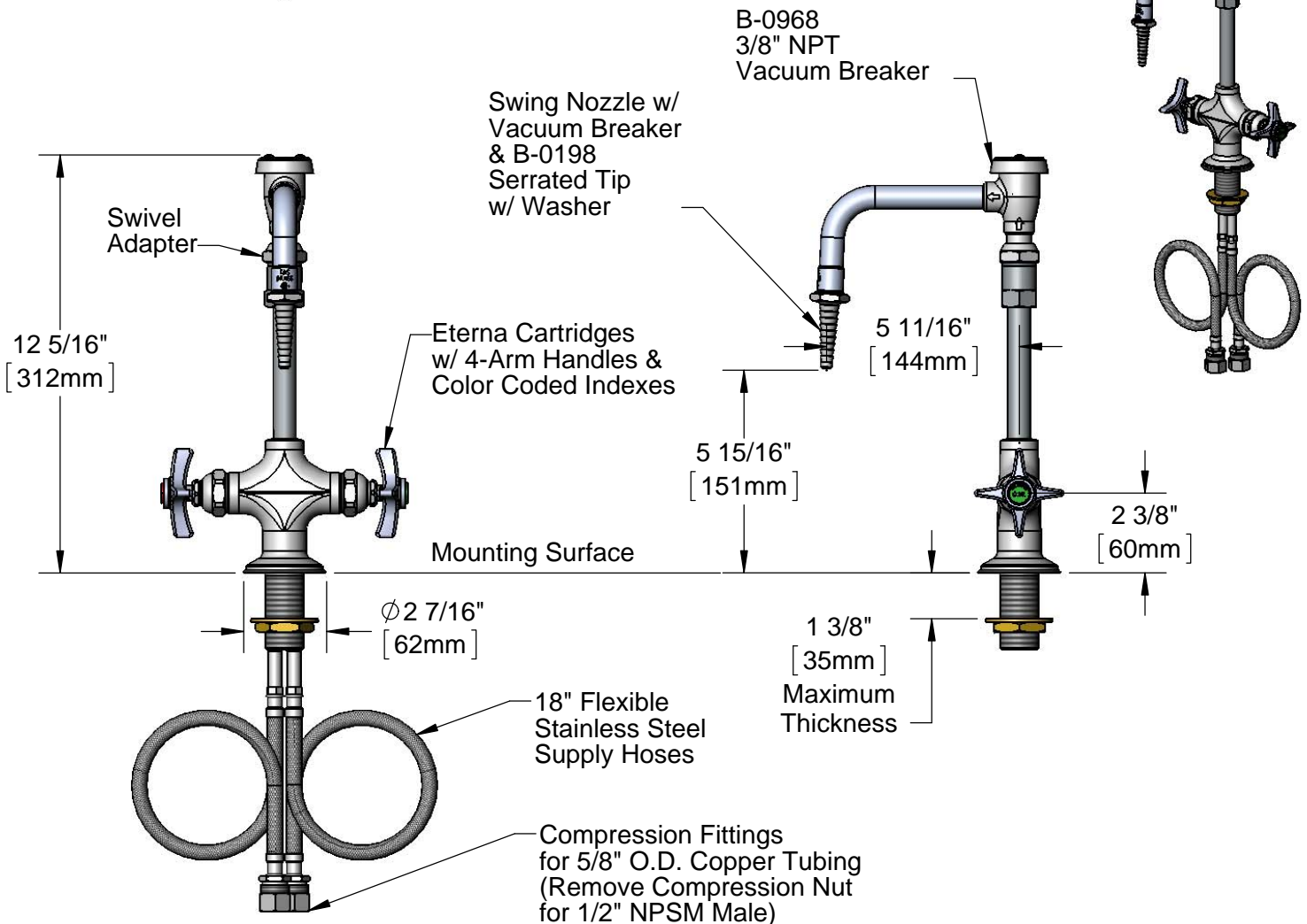
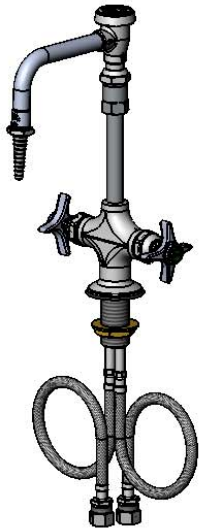
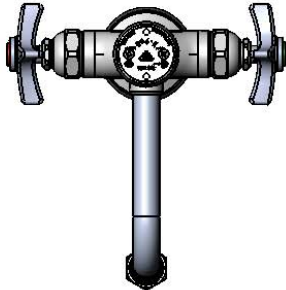
Job Name _____ Date _____

Model Specified _____ Quantity _____

Customer/Wholesaler _____

Contractor _____

Architect/Engineer _____



Rough-in Requirement:
Ø 1 1/2" [38mm] Mounting Hole

Product Specifications:

Single Hole Deck Mount Laboratory Mixing Faucet, Eterna Cartridges, 4-Arm Handles, Swing Nozzle w/ Serrated Tip Outlet, 3/8" NPT Vacuum Breaker Swing Nozzle, 18" Flexible Stainless Steel Supply Hoses w/ 1/2" NPSM Male Inlets

Product Compliance:

ASME A112.18.1 / CSA B125.1
NSF 61 Exempt (Non-Potable)
ASSE 1001 (VB)
ANSI A117.1 (ADA)

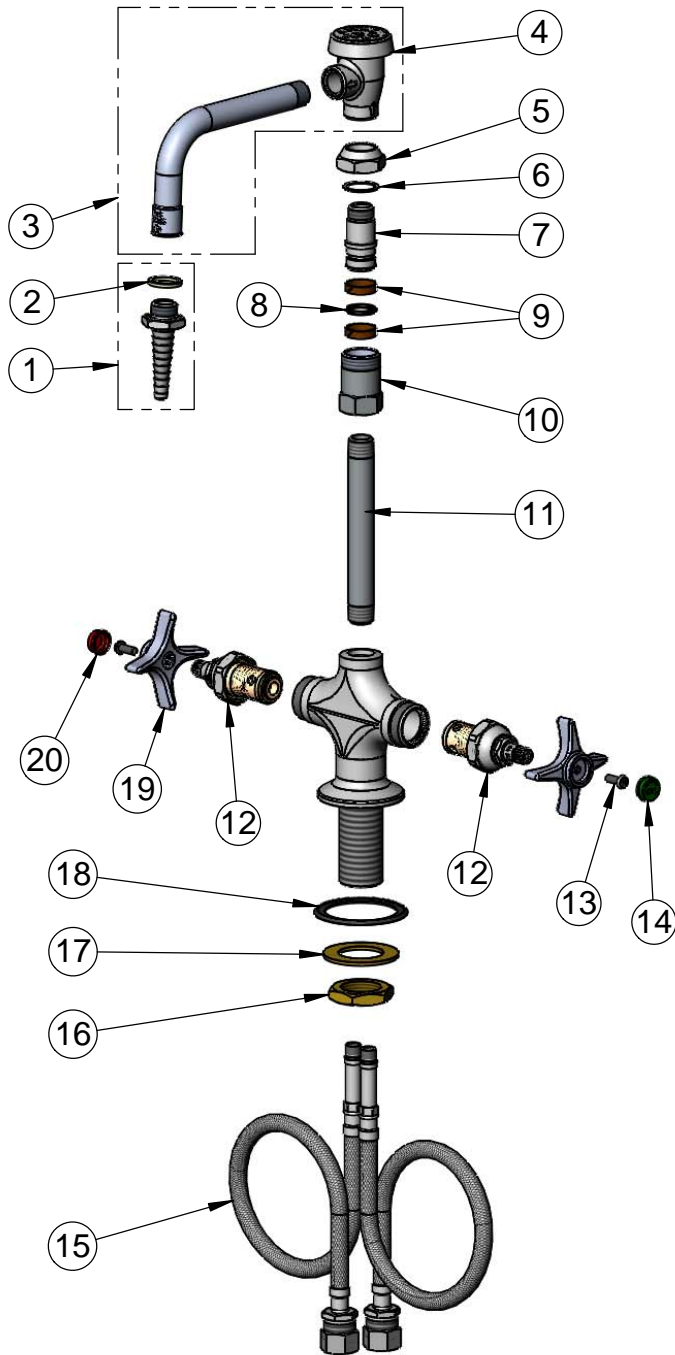


T&S BRASS AND BRONZE WORKS, INC.
 2 Saddleback Cove / P.O. Box 1088
 Travelers Rest, SC 29690

Model No.
BL-5704-09

Item No.

Travelers Rest, SC: 800-476-4103 • Simi Valley, CA: 800-423-0150 • Fax: 864-834-3518 • www.tsbrass.com



ITEM NO.	SALES NO.	DESCRIPTION
1	B-0198	Serrated Tip w/ Washer
2	001051-45	Washer, Serrated Tip
3	007283-40	Vacuum Breaker Nozzle Assembly
4	B-0968	3/8" NPT Vacuum Breaker
5	000711-40	Swivel Nut
6	009E	Plastic Washer
7	000843-25	Swivel Body
8	001074-45	O-Ring
9	011429-45	Swivel Sleeves (2)
10	054X	Swivel Body
11	000361-40	Nipple, 3/8" NPT x 5"
12	005960-40	Eterna Cartridge, RTC
13	000925-45	Lab Handle Screw
14	001191-45	Green Index - CW
15	012534-45	18" Flexible Supply Hose (2)
16	000965-45	Lock Nut
17	002290-45	Lock Washer
18	145L	Black Plastic Gasket
19	000059-40	4-Arm Lab Handle
20	001194-45	Red Index - HW

Product Specifications:

Single Hole Deck Mount Laboratory Mixing Faucet, Eterna Cartridges, 4-Arm Handles, Swing Nozzle w/ Serrated Tip Outlet, 3/8" NPT Vacuum Breaker Swing Nozzle, 18" Flexible Stainless Steel Supply Hoses w/ 1/2" NPSM Male Inlets

Product Compliance:

ASME A112.18.1 / CSA B125.1
 NSF 61 Exempt (Non-Potable)
 ASSE 1001 (VB)
 ANSI A117.1 (ADA)