



T&S BRASS AND BRONZE WORKS, INC.

2 SADDLEBACK COVE / P.O. BOX 1088 / TRAVELERS REST, SC 29690

PHONE 800-476-4103

FAX 864-834-3518



REG.#A2601
ISO #9002

Model No.

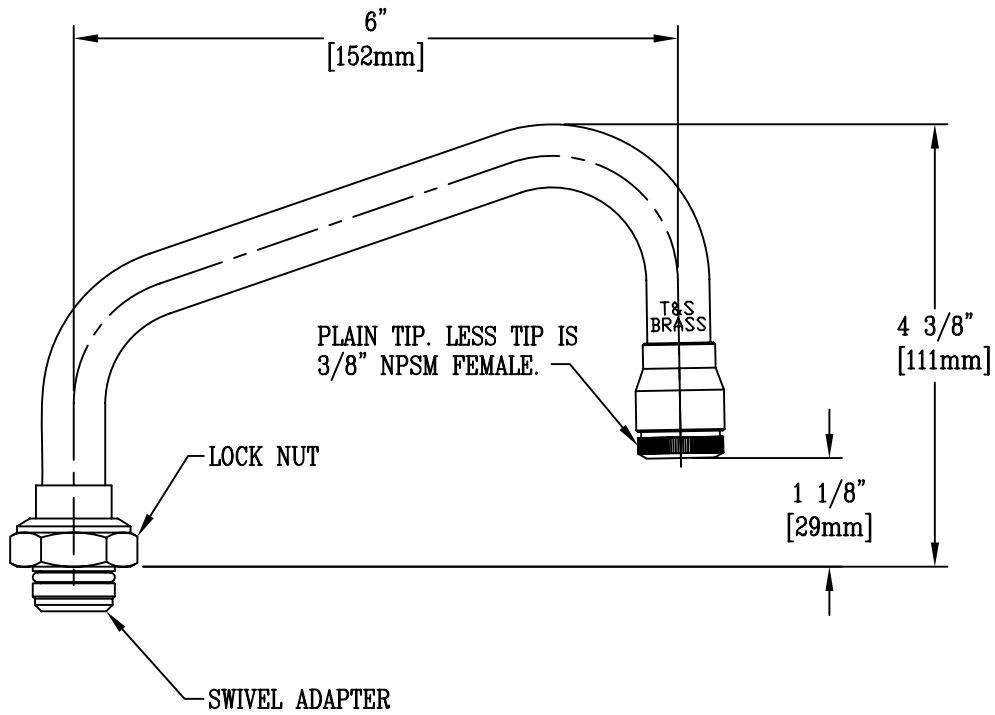
BL-5561-01

Item No.:

Job Name:

Architect/Engineer Approval:

Notes:



Product Description:

Drawn:

KJG

Checked:

GEF

Scale:

1 : 2

Approved:

JHB

Date:

01/18/10

6" SWING NOZZLE w/ SWIVEL ADAPTER & PLAIN TIP OUTLET



T&S BRASS AND BRONZE WORKS, INC.
 2 SADDLEBACK COVE / P.O. BOX 1088 / TRAVELERS REST, SC 29690
 PHONE 800-476-4103 FAX 864-834-3518

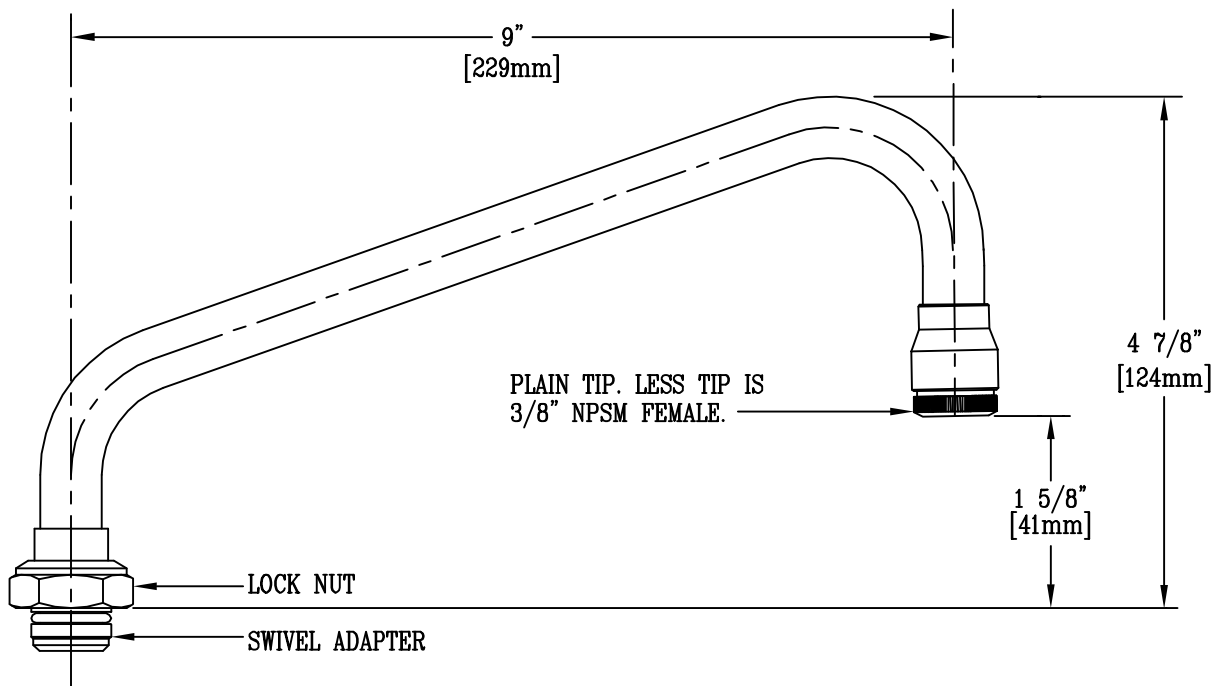


Model No.
 BL-5561-02
 Item No.:

Job Name:

Architect/Engineer Approval:

Notes:



Product Description:
 9" SWING NOZZLE WITH SWIVEL ADAPTER
 AND PLAIN TIP OUTLET

Drawn:
 WJS
 Approved
 CA

Checked
 ARD

Scale:
 6" = 1'
 Date:
 10/25/95



T&S BRASS AND BRONZE WORKS, INC.

2 SADDLEBACK COVE / P.O. BOX 1088 / TRAVELERS REST, SC 29690

PHONE 800-476-4103

FAX 864- 834-3518

Model No.

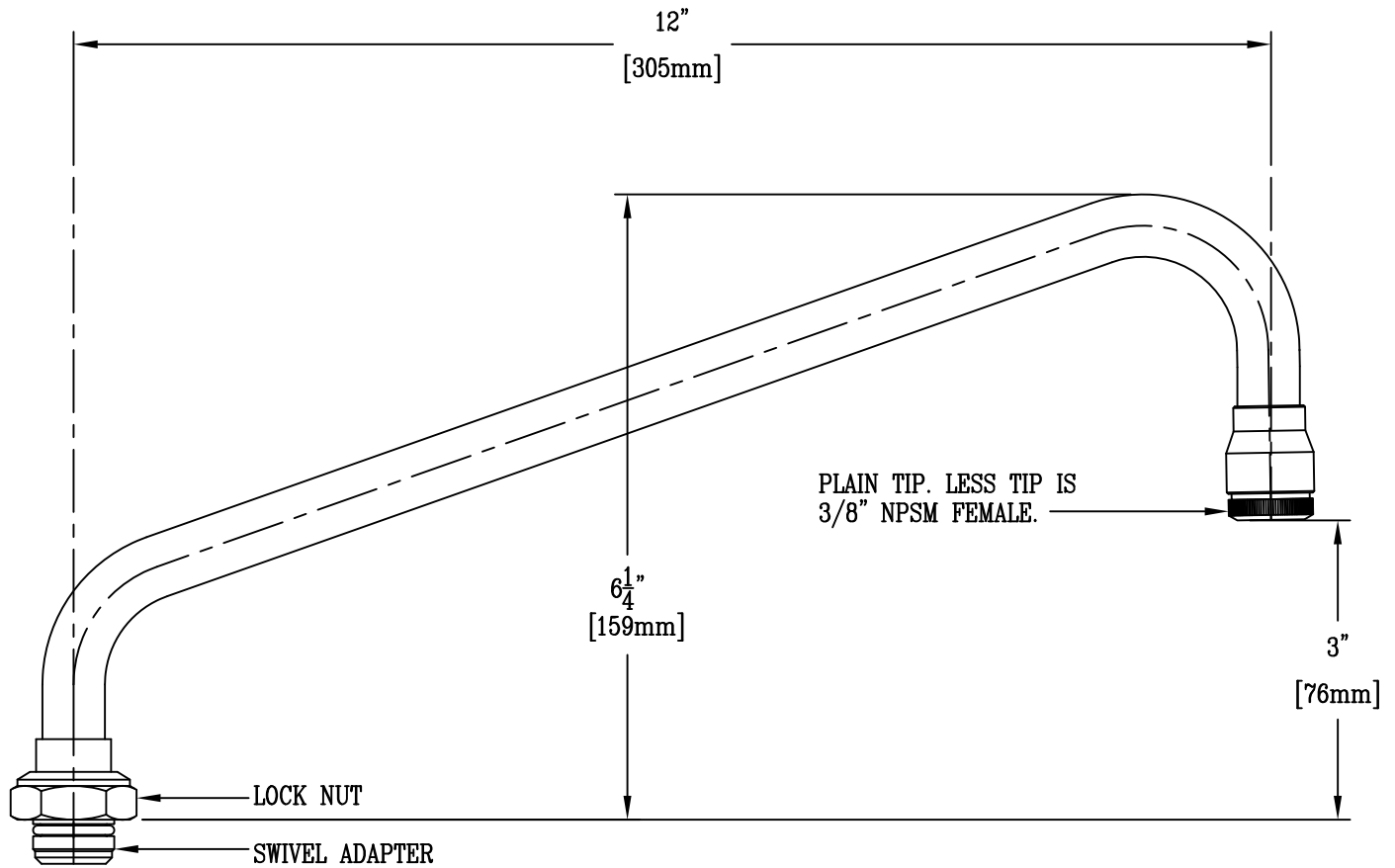
BL-5561-03

Item No.:

Job Name:

Architect/Engineer Approval:

Notes:



Product Description:

Drawn:

Checked

Scale:

GEF

DHL

1:2

Approved

Date:

JHB

07/03/13

12" SWING NOZZLE WITH SWIVEL ADAPTER
AND PLAIN TIP OUTLET