



T&S BRASS AND BRONZE WORKS, INC.  
 2 SADDLEBACK COVE / P.O. BOX 1088 / TRAVELERS REST, SC 29690  
 PHONE 800-476-4103 FAX 864- 834-3518



Model No.

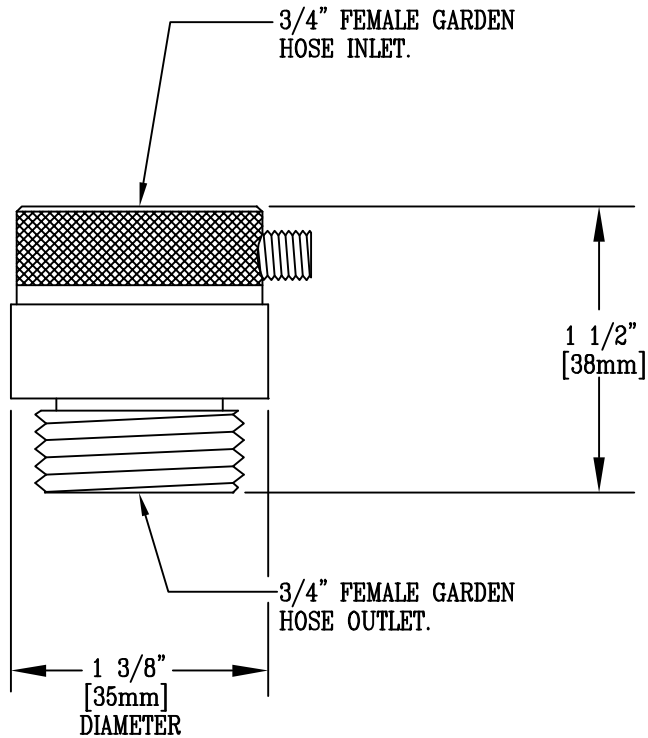
BL-5550-10

Item No.:

Job Name:

Architect/Engineer Approval:

Notes:



NOTE : CONFORMS TO REQUIREMENTS OF ASSE 1011

Product Description:

3/4" GARDEN HOSE VACUUM BREAKER

Drawn:

WJS

Approved

CA

Checked

ARD

Scale:

1' = 1'

Date:

10/25/95