



**T&S BRASS AND BRONZE WORKS, INC.**  
 2 SADDLEBACK COVE / P.O. BOX 1088 / TRAVELERS REST, SC 29690  
 PHONE 800-476-4103 FAX 864- 834-3518

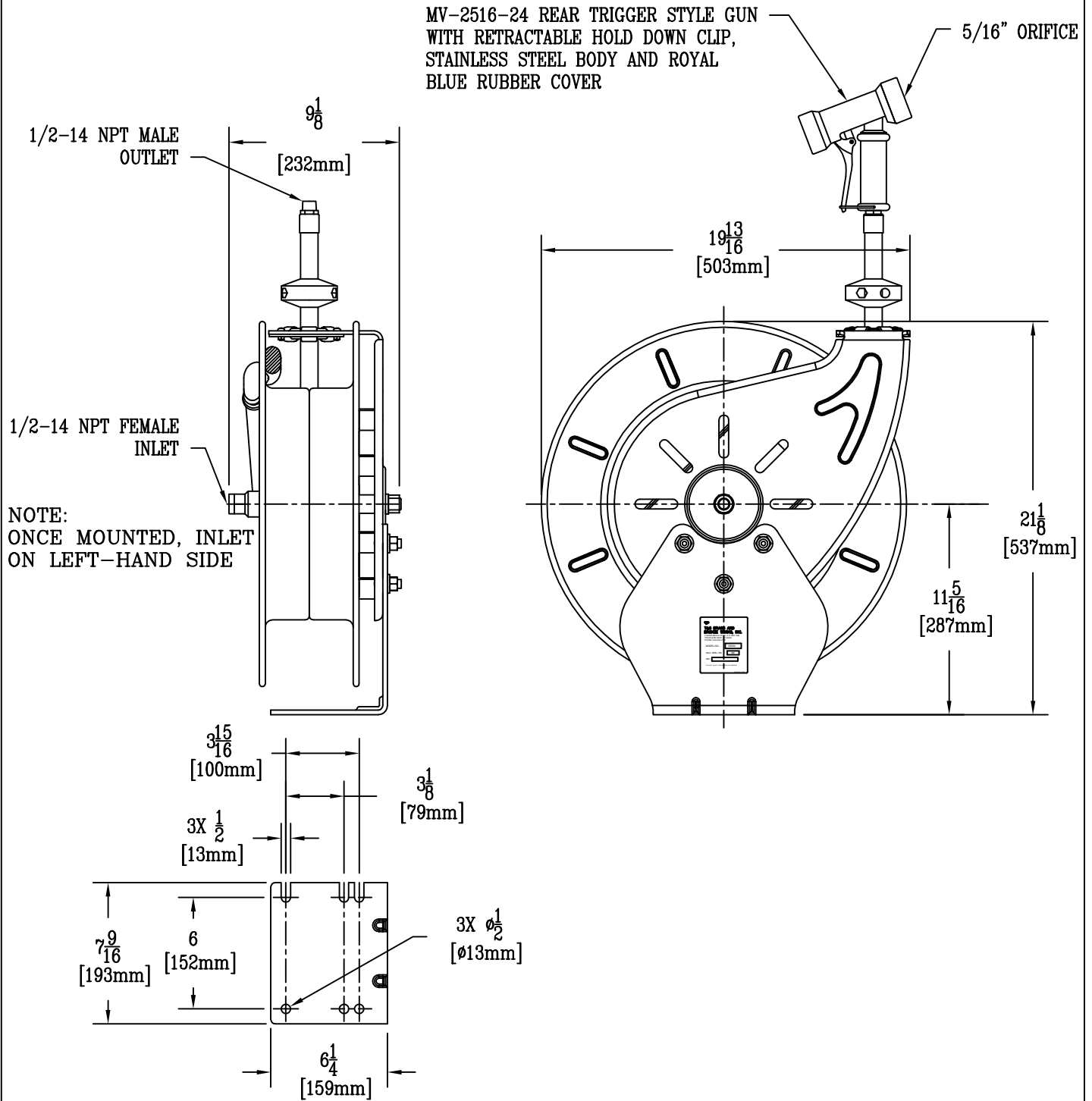


Model No.  
**B-7243-02**  
 Item No.:

Job Name:

Architect/Engineer Approval:

Notes:



Product Description:  
 HOSEREEL, OPEN, EPOXY POWDER COATED STEEL  
 50 FT OF 1/2 DIA. BLUE HOSE AND  
 MV-2516-24 REAR TRIGGER, 5/16" SPRAY GUN

Drawn: JRM	Checked JHB	Scale: 1 : 8
Approved JHB	Date: 6/09/05	



T&S BRASS AND BRONZE WORKS, INC.

2 SADDLEBACK COVE / P.O. BOX 1088 / TRAVELERS REST, SC 29690

PHONE 800-476-4103

FAX 864-834-3518



REG.#A2601  
ISO #9001

Model No.

B-7243-05

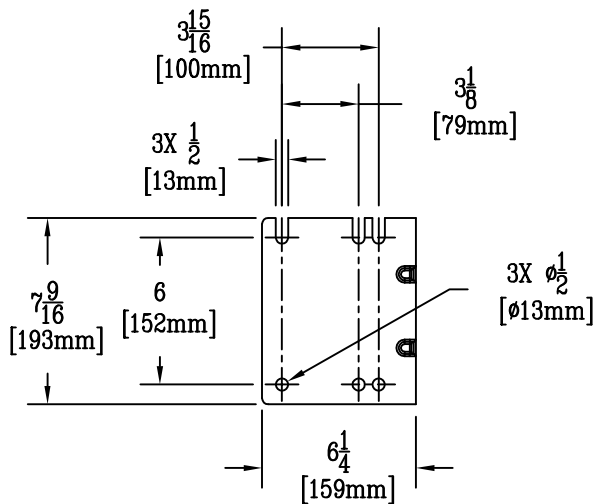
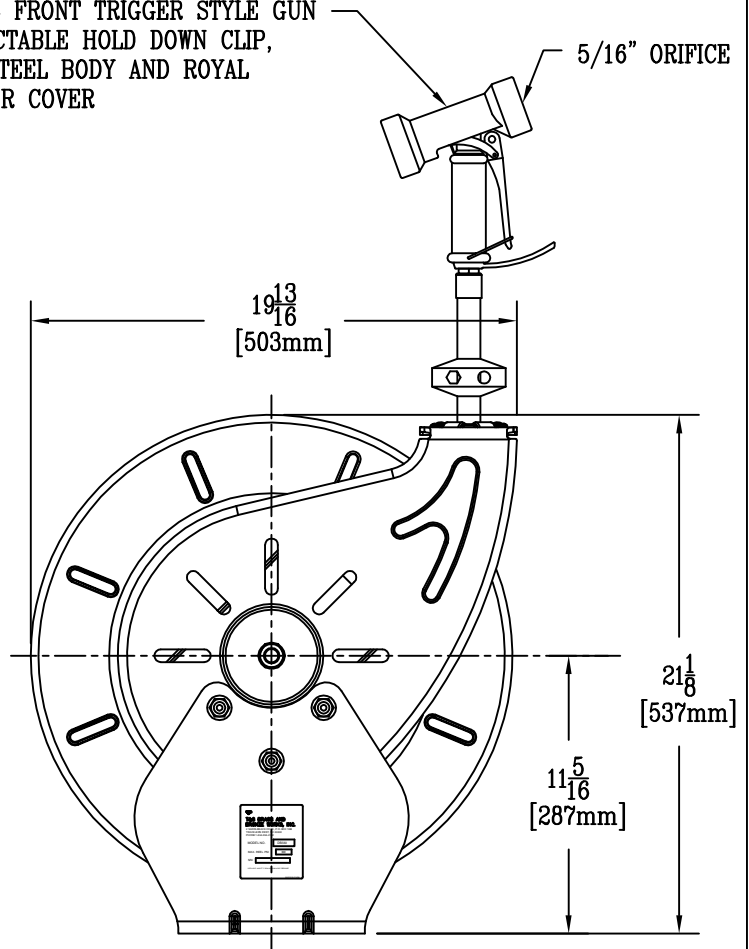
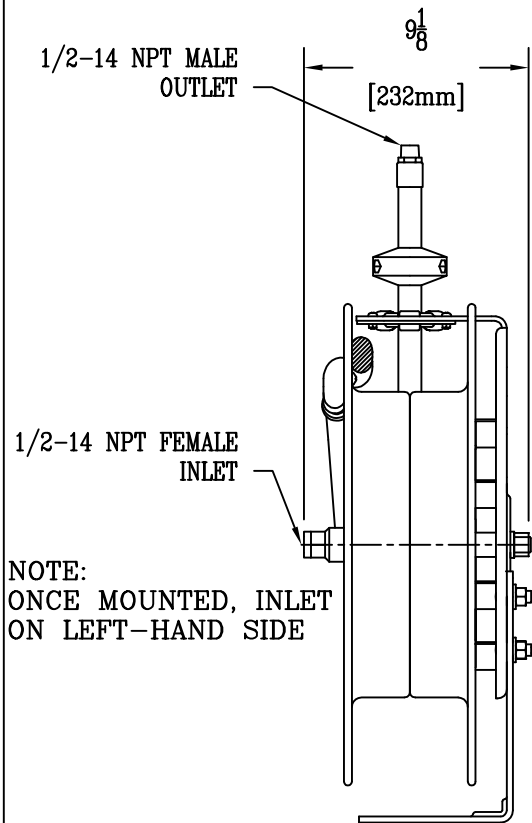
Item No.:

Job Name:

Architect/Engineer Approval:

Notes:

MV-2522-24 FRONT TRIGGER STYLE GUN  
WITH RETRACTABLE HOLD DOWN CLIP,  
STAINLESS STEEL BODY AND ROYAL  
BLUE RUBBER COVER



Product Description:  
HOSEREEL, OPEN, EPOXY POWDER COATED STEEL  
50 FT OF 1/2 DIA. BLUE HOSE AND  
MV-2522-24 FRONT TRIGGER, 5/16" SPRAY GUN

Drawn:

JRM

Checked

JHB

Scale:

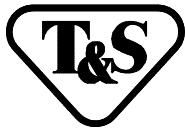
1 : 8

Approved

JHB

Date:

6/09/05



**T&S BRASS AND BRONZE WORKS, INC.**  
 2 SADDLEBACK COVE / P.O. BOX 1088 / TRAVELERS REST, SC 29690  
 PHONE 800-476-4103 FAX 864-834-3518



Model No.

B-7243-08H

Item No.:

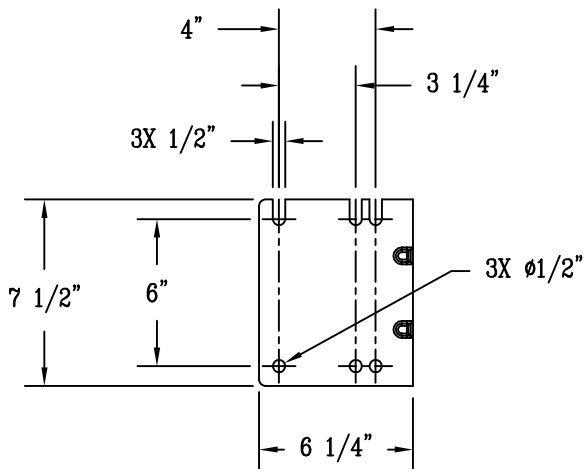
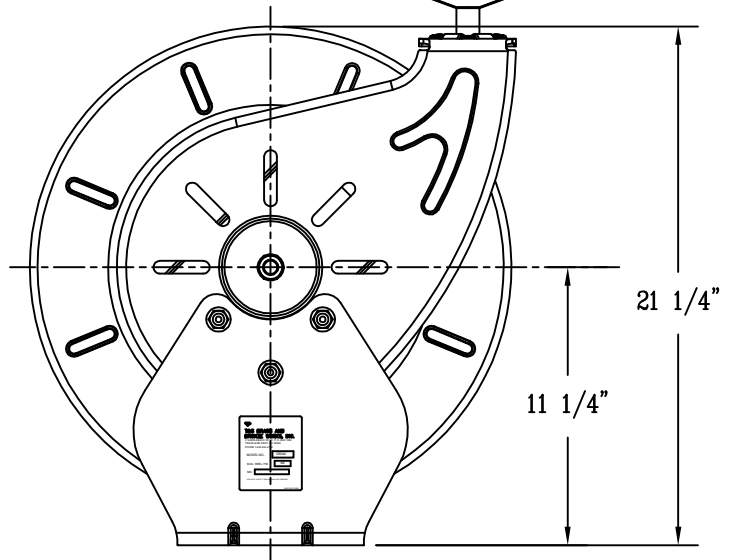
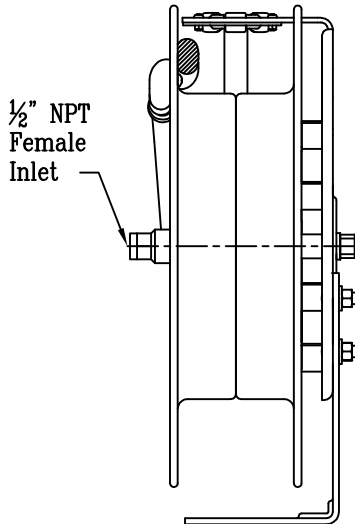
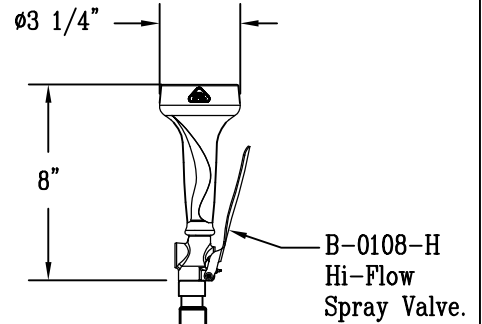
Job Name:

Architect/Engineer Approval:

Notes:

**NOTE:**  
 ONCE MOUNTED, INLET  
 ON LEFT-HAND SIDE

1/2" NPT  
 Female  
 Inlet



**Product Description:**  
 Hose Reel: Open, Epoxy Powder Coated Steel,  
 50 FT of 1/2" Dia. Blue Hose and  
 Hi-Flow Spray Valve

Drawn:

WJS

Checked

JRM

Scale:

1 : 8

Approved

JHB

Date:

05/18/06