



T&S BRASS AND BRONZE WORKS, INC.
 2 Saddleback Cove / P.O. Box 1088
 Travelers Rest, SC 29690

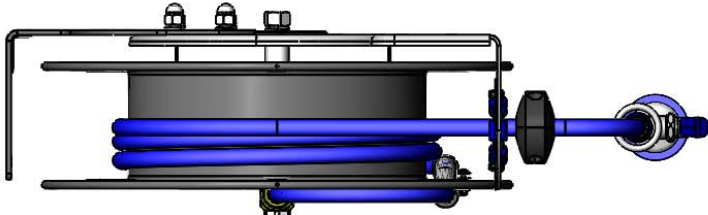
Model No.
B-7242-01

Item No.

Travelers Rest, SC: 800-476-4103 • Simi Valley, CA: 800-423-0150 • Fax: 864-834-3518 • www.tsbrass.com

This Space for Architect/Engineer Approval

Job Name _____ Date _____
 Model Specified _____ Quantity _____
 Customer/Wholesaler _____
 Contractor _____
 Architect/Engineer _____



3/8" NPT Female Inlet
 (Left Side of Reel)

Open Coated Hose Reel
 50' of 3/8" Hose

Ø 19 5/8"
 [498mm]

20 9/16"
 [523mm]

11 1/4"
 [286mm]

21 1/16"
 [536mm]

9 1/2"
 [241mm]



EB-0107
 High Flow
 Spray Valve

6 3/16"
 [158mm]

Ø 1/2"
 [13mm]

7 9/16"
 [193mm]

6"
 [152mm]

13/16"
 [21mm]

1/2"
 [13mm]

3 1/8"
 [79mm]

Product Specifications:
 3/8" x 50' Open Coated Reel & High Flow Spray Valve

Product Compliance:
 NSF 61 Exempt (Non-Potable)
 EPA Act 2005 Non-Compliant (PRSV)



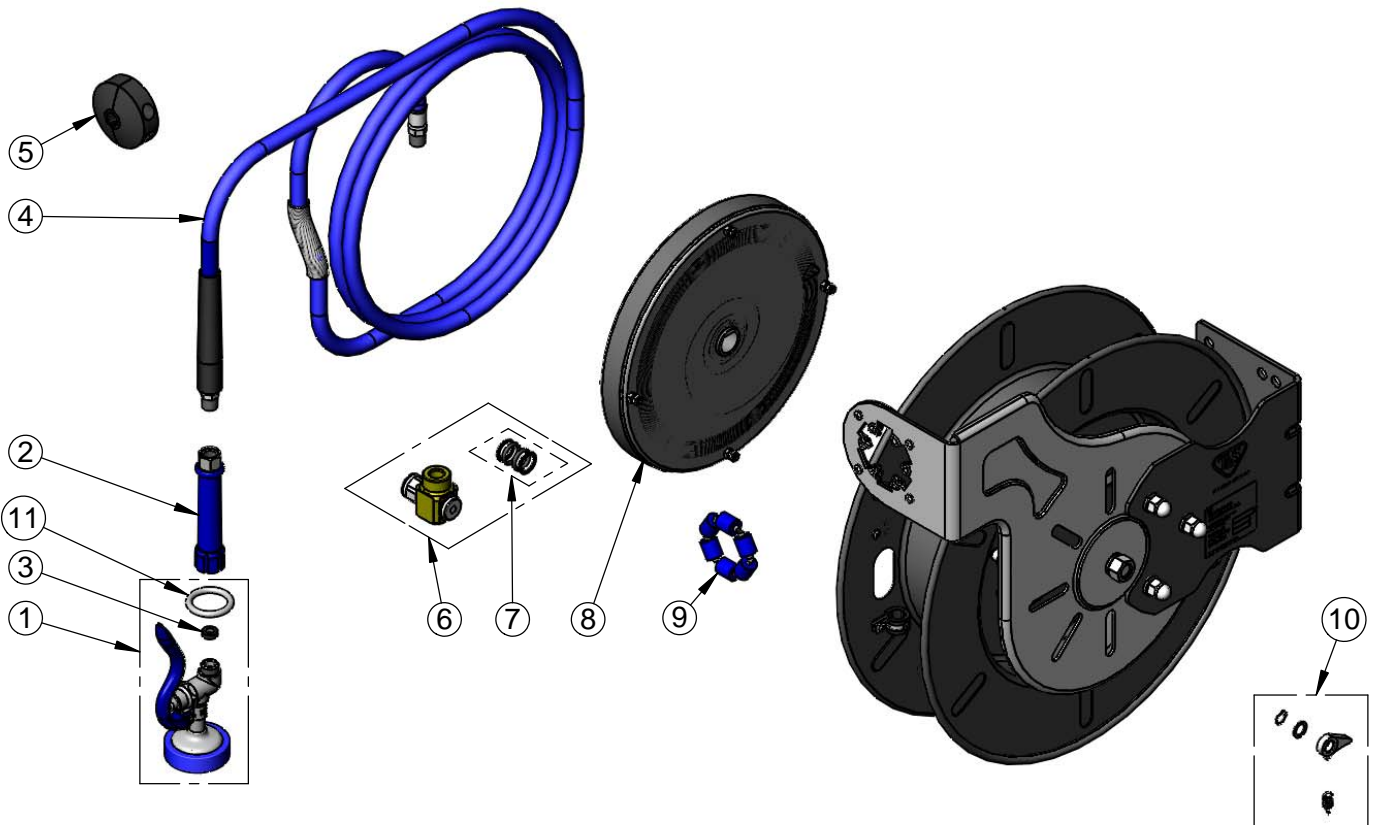
T&S BRASS AND BRONZE WORKS, INC.
 2 Saddleback Cove / P.O. Box 1088
 Travelers Rest, SC 29690

Model No.
B-7242-01

Item No.

Travelers Rest, SC: 800-476-4103 • Simi Valley, CA: 800-423-0150 • Fax: 864-834-3518 • www.tsbrass.com

ITEM NO.	SALES NO.	DESCRIPTION
1	EB-0107	High Flow Spray Valve (Blue)
2	012504-40	Grip Handle (Blue) w/ Washer
3	010476-45	#27 Washer
4	014942-45	3/8" x 50' Hose Replacement Kit
5	014949-45	Hose Stop Repair Kit
6	014946-45	3/8" Swivel Repair Kit
7	014948-45	O-Ring Replacement Kit
8	014934-45	Large Coated Spring
9	014938-45	Roller Replacement Kit
10	014940-45	Ratchet Repair Kit
11	000907-45	Spray Valve Hold Down Ring



Product Specifications:
 3/8" x 50' Open Coated Reel & High Flow Spray Valve

Product Compliance:
 NSF 61 Exempt (Non-Potable)
 EPA Act 2005 Non-Compliant (PRSV)



T&S BRASS AND BRONZE WORKS, INC.

2 Saddleback Cove / P.O. Box 1088
Travelers Rest, SC 29690



REG. #A2601
ISO #9001

Model No.
B-7242-01M

Item No.

Travelers Rest, SC: 800-476-4103 Simi Valley, CA: 800-423-0150 Fax: 864-834-3518 www.tsbrass.com

This Space for Architect/Engineer Approval

Job Name _____ Date _____

Model Specified _____ Quantity _____

Customer/Wholesaler _____

Contractor _____

Architect/Engineer _____



3/8" NPT Female Inlet
(Left Side of Reel)

Open Coated Hose Reel;
50 Ft. of 3/8" Hose

Ø 19 5/8"
[498mm]

9 7/16"
[240mm]

20 9/16"
[523mm]

6 3/16"
[158mm]

Ø 1/2"
[13mm]

7 9/16"
[193mm]

6"
[152mm]

11 1/4"
[286mm]

21 1/16"
[536mm]

13/16"
[21mm]

1/2"
[13mm]

B-0107
w/ 1.42 GPM Flow

3 1/8"
[79mm]

EPAct2005 COMPLIANT

Product Specifications:
**3/8" x 50 Ft. Open Coated Reel
B-0107 w/ 1.42 GPM Flow**

Drawn JRM	Checked DHL	Approved JHB
Scale: 1:8	Date: 12/19/07	



T&S BRASS AND BRONZE WORKS, INC.
 2 Saddleback Cove / P.O. Box 1088
 Travelers Rest, SC 29690



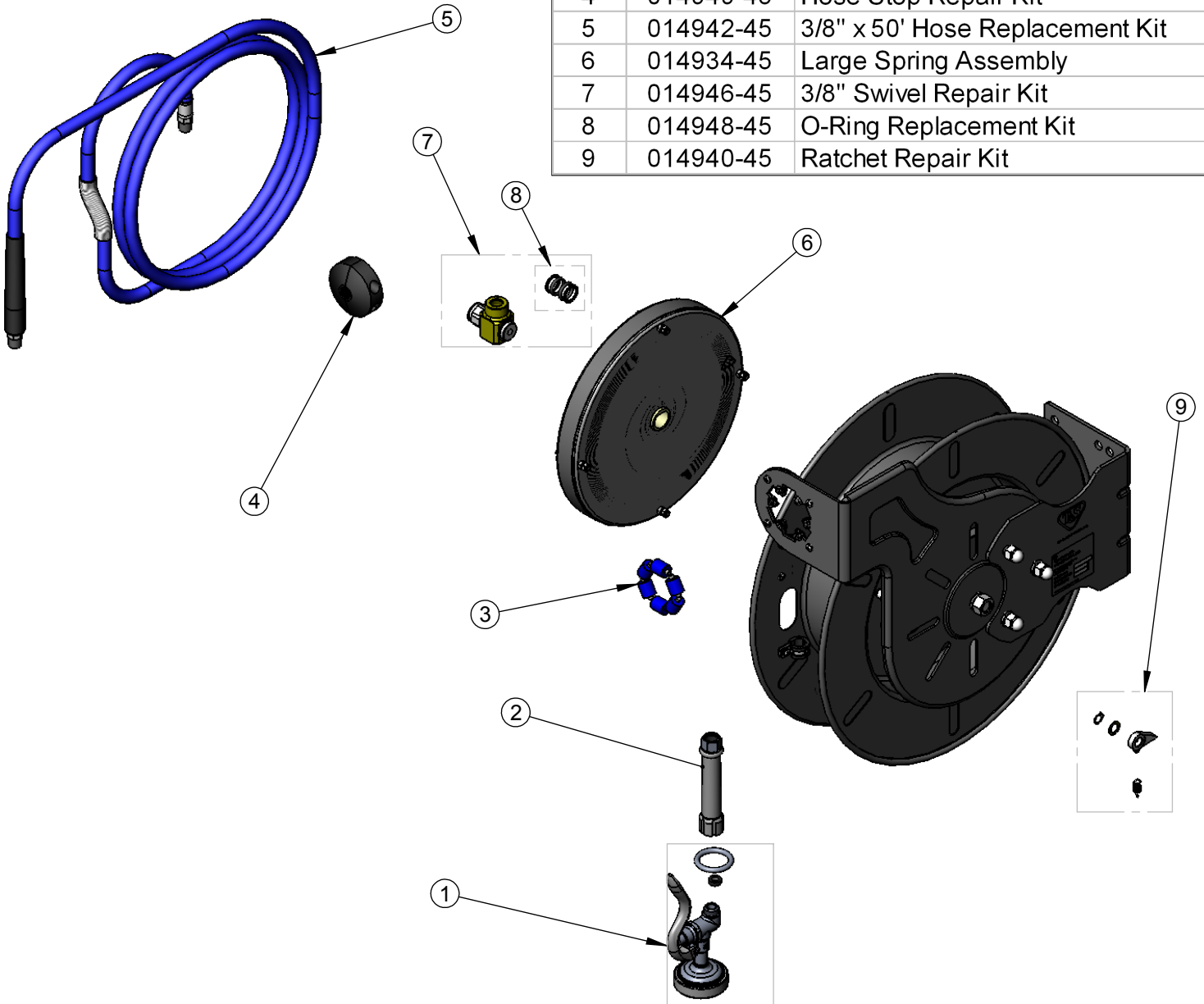
REG. #A2601
 ISO #9001

Model No.
B-7242-01M

Item No.

Travelers Rest, SC: 800-476-4103 Simi Valley, CA: 800-423-0150 Fax: 864-834-3518 www.tsbrass.com

ITEM NO.	SALES NO.	DESCRIPTION
1	B-0107	1.42 GPM Gray Spray Valve
2	005A	Gray Handle Grip
3	014938-45	Roller Assembly Repair Kit
4	014949-45	Hose Stop Repair Kit
5	014942-45	3/8" x 50' Hose Replacement Kit
6	014934-45	Large Spring Assembly
7	014946-45	3/8" Swivel Repair Kit
8	014948-45	O-Ring Replacement Kit
9	014940-45	Ratchet Repair Kit



Product Specifications:

3/8" x 50 Ft. Open Coated Reel
 B-0107 w/ 1.42 GPM Flow

Drawn JRM	Checked DHL	Approved JHB
Scale: 1:8		Date: 12/19/07



T&S BRASS AND BRONZE WORKS, INC.
 2 Saddleback Cove / P.O. Box 1088
 Travelers Rest, SC 29690

Model No.
B-7242-02

Item No.

Travelers Rest, SC: 800-476-4103 • Simi Valley, CA: 800-423-0150 • Fax: 864-834-3518 • www.tsbrass.com

This Space for Architect/Engineer Approval

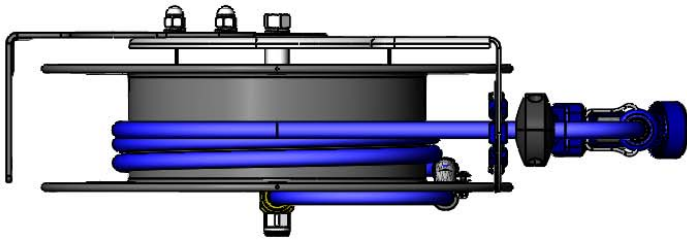
Job Name _____ Date _____

Model Specified _____ Quantity _____

Customer/Wholesaler _____

Contractor _____

Architect/Engineer _____



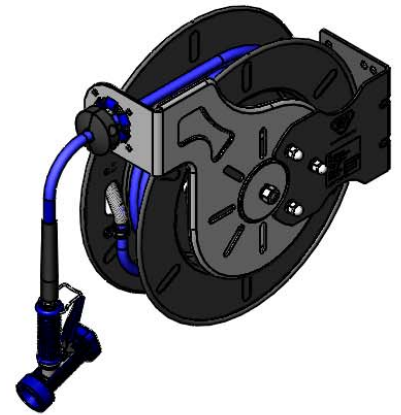
Open Coated Hose Reel;
 50 Ft. of 3/8" Hose

Ø 19 5/8"
 [498mm]

3/8" NPT Female
 Inlet (Left Side of
 Reel)

20 9/16"
 [523mm]

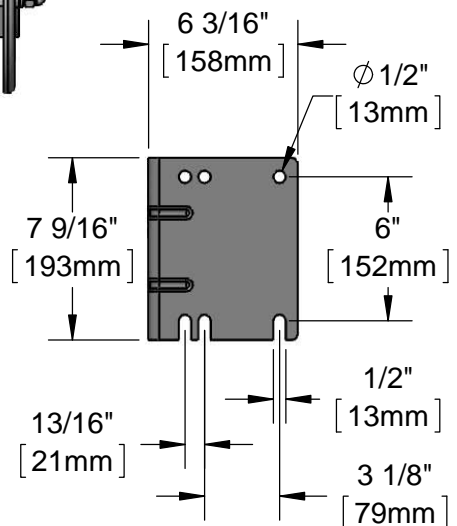
9 1/2"
 [241mm]



11 1/4"
 [286mm]

21 1/16"
 [536mm]

MV-2516-24 Rear Trigger
 Style Gun w/ Hold Down Clip,
 Stainless Steel Body and
 Royal Blue Rubber Cover.



Product Specifications:
Hose Reel System:
 3/8" x 50 Ft. Open Coated Reel w/ Rear Trigger 5/16" Orifice
 Spray Gun

Drawn DHL	Checked DMH	Approved JHB
Scale: 1:8		Date: 02/21/14



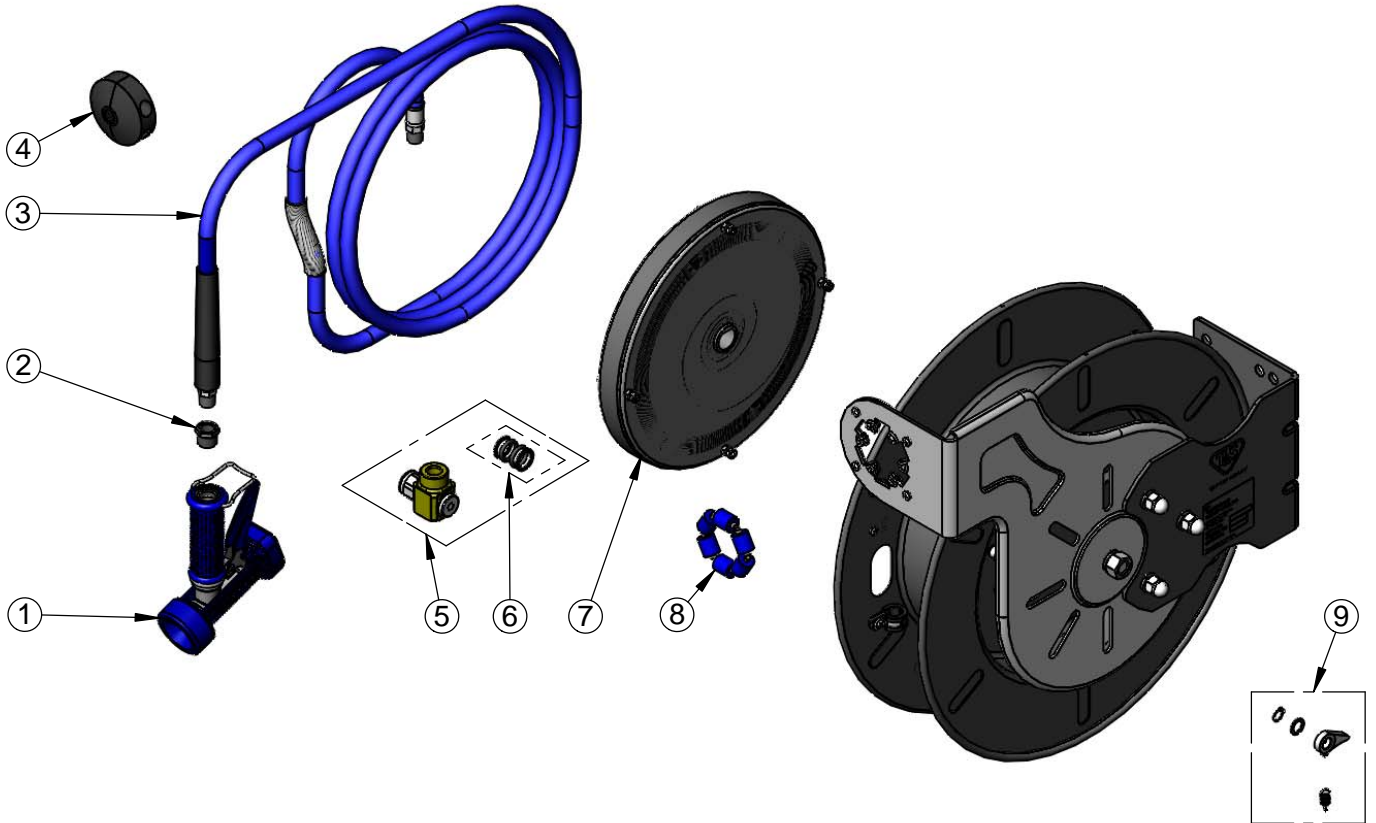
T&S BRASS AND BRONZE WORKS, INC.
 2 Saddleback Cove / P.O. Box 1088
 Travelers Rest, SC 29690

Model No.
B-7242-02

Item No.

Travelers Rest, SC: 800-476-4103 • Simi Valley, CA: 800-423-0150 • Fax: 864-834-3518 • www.tsbrass.com

ITEM NO.	SALES NO.	DESCRIPTION
1	MV-2516-24	Rear Trigger Gun, 5/16" Orifice
2	001359-40	Hex Bushing, 1/2" NPT Male x 3/8" NPT Female
3	014942-45	3/8" x 50' Hose Replacement Kit
4	014949-45	Hose Stop Repair Kit
5	014946-45	3/8" Swivel Repair Kit
6	014948-45	O-Ring Replacement Kit
7	014934-45	Large Coated Spring Assembly
8	014938-45	Roller Replacement Kit
9	014940-45	Ratchet Repair Kit



Product Specifications:
 Hose Reel System:
 3/8" x 50 Ft. Open Coated Reel w/ Rear Trigger 5/16" Orifice
 Spray Gun

Drawn DHL	Checked DMH	Approved JHB
Scale: NTS		Date: 02/21/14



T&S BRASS AND BRONZE WORKS, INC.
 2 Saddleback Cove / P.O. Box 1088
 Travelers Rest, SC 29690

Model No.
B-7242-05

Item No.

Travelers Rest, SC: 800-476-4103 • Simi Valley, CA: 800-423-0150 • Fax: 864-834-3518 • www.tsbrass.com

This Space for Architect/Engineer Approval

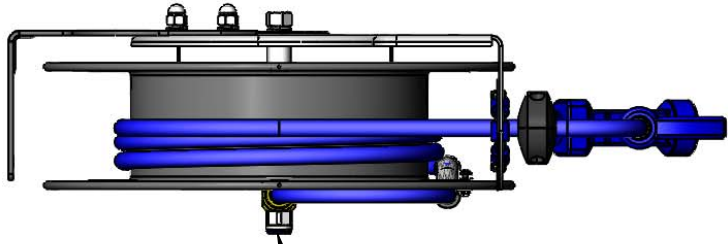
Job Name _____ Date _____

Model Specified _____ Quantity _____

Customer/Wholesaler _____

Contractor _____

Architect/Engineer _____



3/8" NPT Female Inlet
 (Left Side of Reel)

Open Coated Hose Reel
 50' of 3/8" Hose

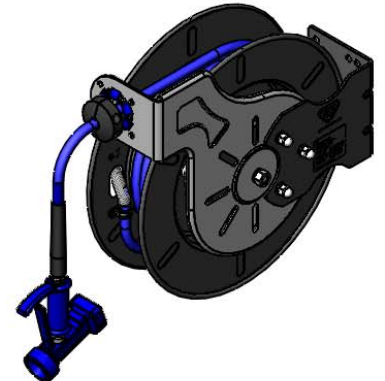
Ø 19 5/8"
 [498mm]

20 9/16"
 [523mm]

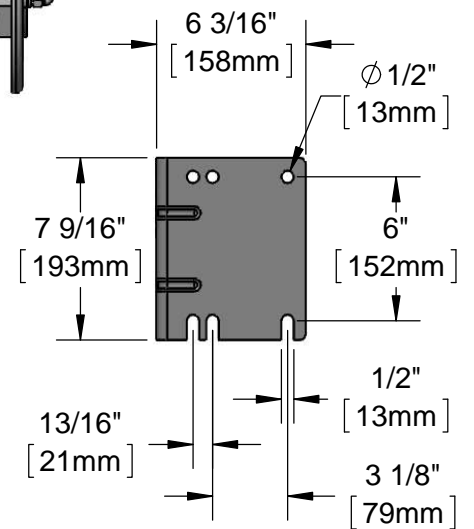
11 1/4"
 [286mm]

21 1/16"
 [536mm]

9 1/2"
 [241mm]



MV-2522-24
 Stainless Steel Front
 Trigger Water Gun w/
 5/16" Orifice



Product Specifications:

3/8" x 50' Open Coated Reel & Stainless Steel Front Trigger Water Gun,
 5/16" Orifice

Product Compliance:

NSF 61 Exempt (Non-Potable)



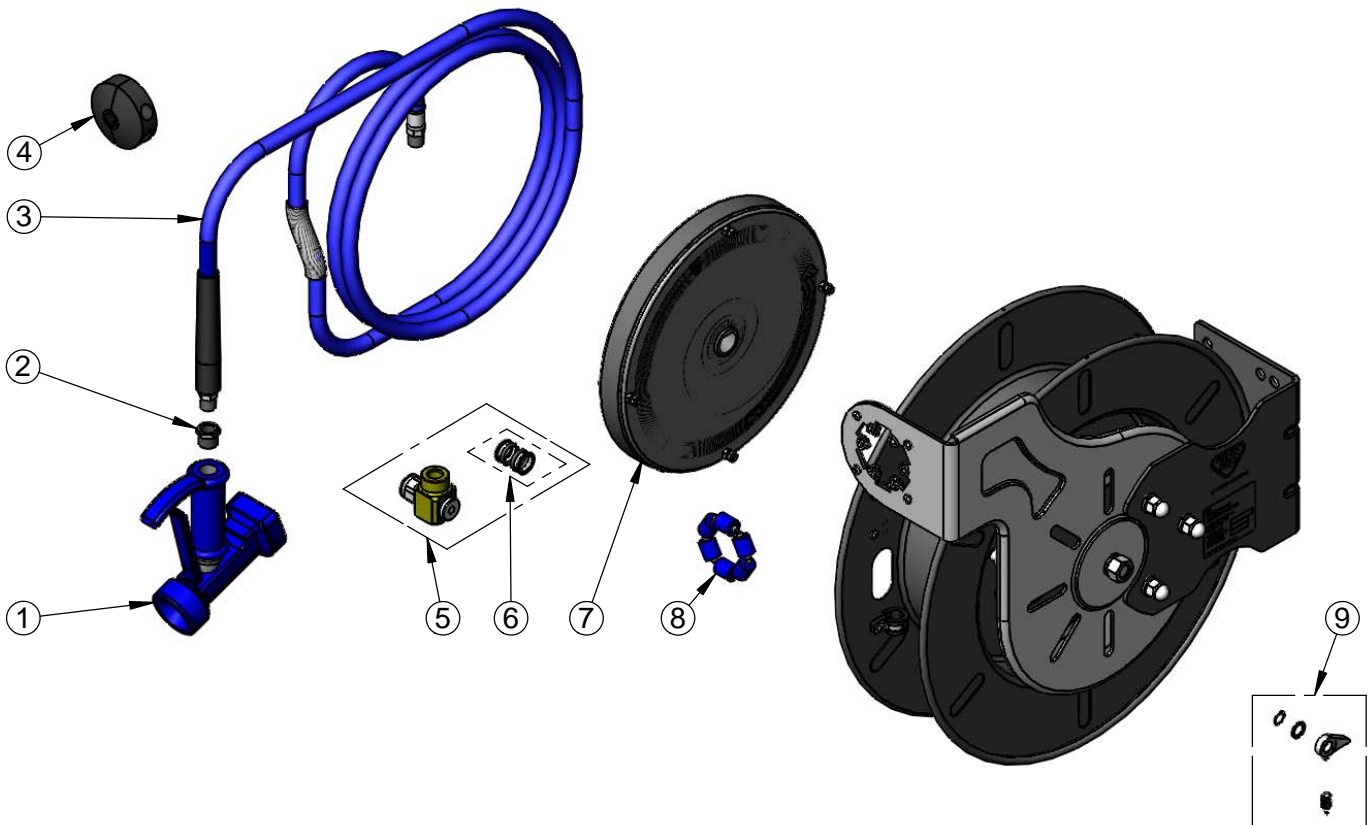
T&S BRASS AND BRONZE WORKS, INC.
 2 Saddleback Cove / P.O. Box 1088
 Travelers Rest, SC 29690

Model No.
B-7242-05

Item No.

Travelers Rest, SC: 800-476-4103 • Simi Valley, CA: 800-423-0150 • Fax: 864-834-3518 • www.tsbrass.com

ITEM NO.	SALES NO.	DESCRIPTION
1	MV-2522-24	Front Trigger Gun, 5/16" Orifice
2	001359-40	Hex Bushing, 1/2" NPT Male x 3/8" NPT Female
3	014942-45	3/8" x 50' Hose Replacement Kit
4	014949-45	Hose Stop Repair Kit
5	014946-45	3/8" Swivel Repair Kit
6	014948-45	O-Ring Replacement Kit
7	014934-45	Large Coated Spring
8	014938-45	Roller Replacement Kit
9	014940-45	Ratchet Repair Kit



Product Specifications:
 3/8" x 50' Open Coated Reel & Stainless Steel Front Trigger Water Gun,
 5/16" Orifice

Product Compliance:
 NSF 61 Exempt (Non-Potable)



T&S BRASS AND BRONZE WORKS, INC.

2 Saddleback Cove / P.O. Box 1088
Travelers Rest, SC 29690



REG. #A2601
ISO #9001

Model No.
B-7242-08H

Item No.

Travelers Rest, SC: 800-476-4103 Simi Valley, CA: 800-423-0150 Fax: 864-834-3518 www.tsbrass.com

This Space for Architect/Engineer Approval

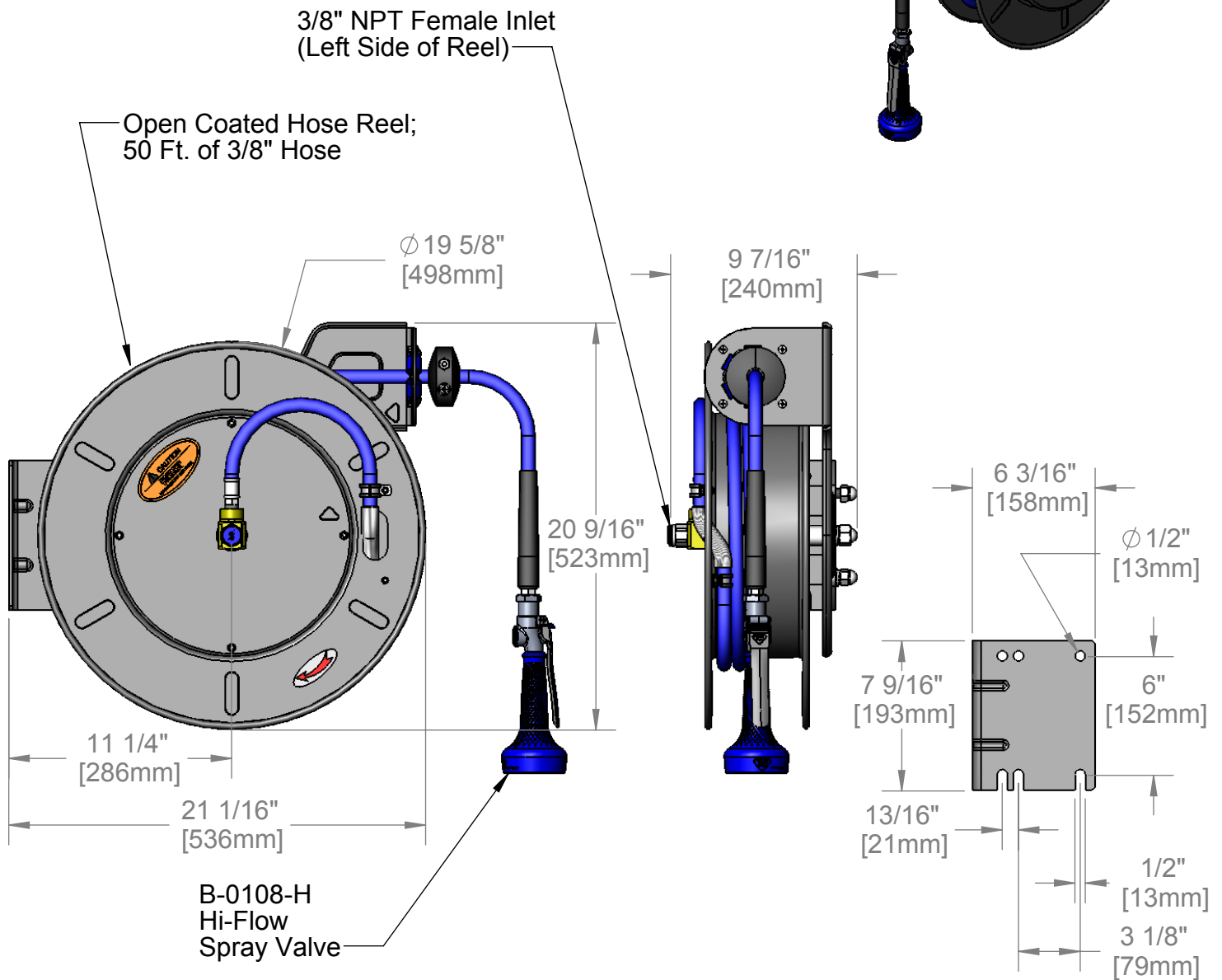
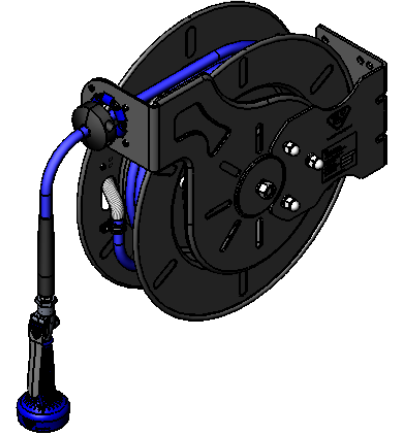
Job Name _____ Date _____

Model Specified _____ Quantity _____

Customer/Wholesaler _____

Contractor _____

Architect/Engineer _____



Product Specifications:

3/8" x 50 Ft. Open Coated Reel
B-0108-H Hi-Flow Blue Spray Valve

Drawn JRM	Checked DHL	Approved JHB
Scale: 1:8	Date: 12/19/07	



T&S BRASS AND BRONZE WORKS, INC.
 2 Saddleback Cove / P.O. Box 1088
 Travelers Rest, SC 29690



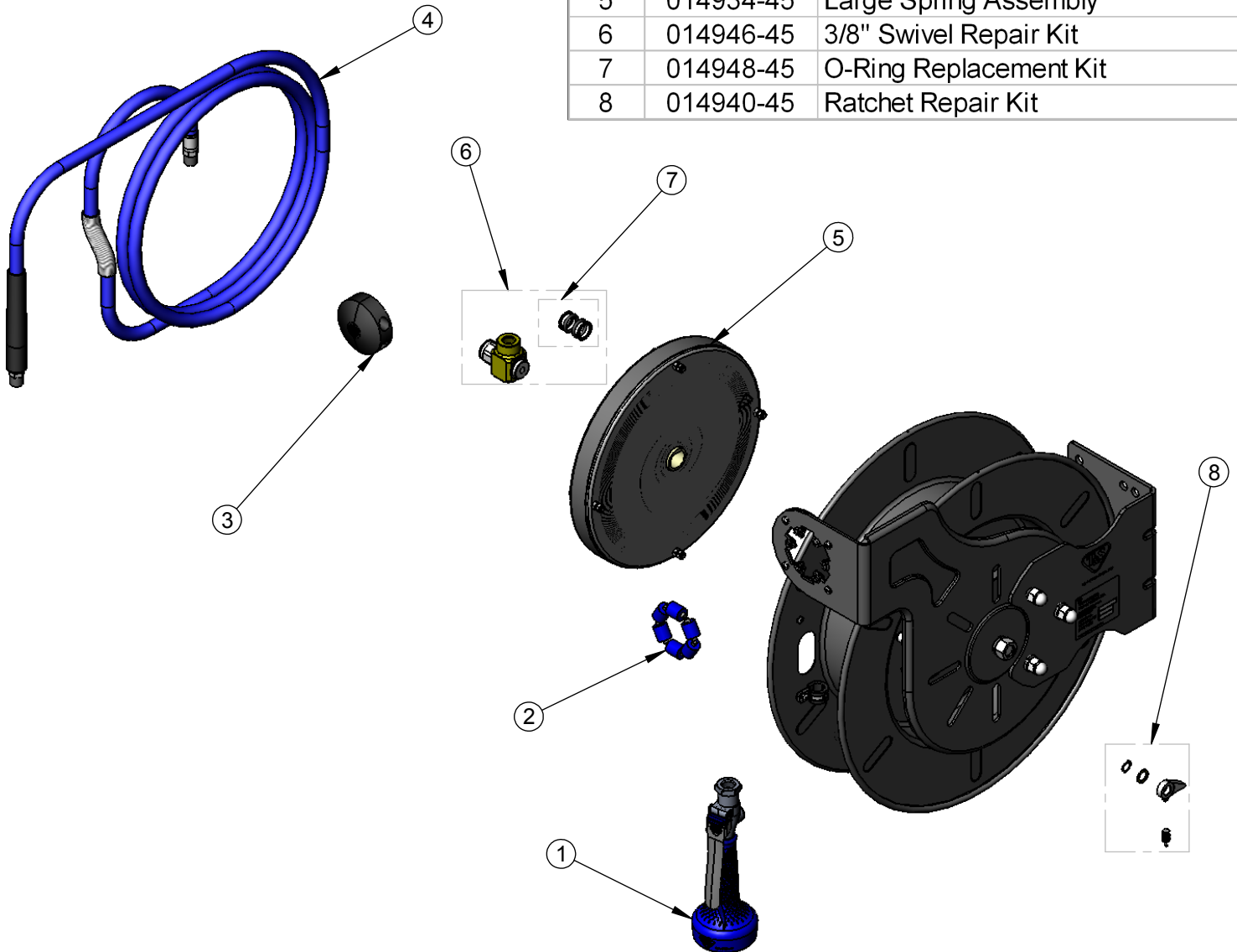
REG. #A2601
 ISO #9001

Model No.
B-7242-08H

Item No.

Travelers Rest, SC: 800-476-4103 Simi Valley, CA: 800-423-0150 Fax: 864-834-3518 www.tsbrass.com

ITEM NO.	SALES NO.	DESCRIPTION
1	B-0108-H	Hi-Flow B-0108 Spray Valve
2	014938-45	Roller Assembly Repair Kit
3	014949-45	Hose Stop Repair Kit
4	014942-45	3/8" x 50' Hose Replacement Kit
5	014934-45	Large Spring Assembly
6	014946-45	3/8" Swivel Repair Kit
7	014948-45	O-Ring Replacement Kit
8	014940-45	Ratchet Repair Kit



Product Specifications:

3/8" x 50 Ft. Open Coated Reel
 B-0108-H Hi-Flow Blue Spray Valve

Drawn JRM	Checked DHL	Approved JHB
Scale: 1:8		Date: 12/19/07



T&S BRASS AND BRONZE WORKS, INC.

2 Saddleback Cove / P.O. Box 1088
Travelers Rest, SC 29690



REG. #A2601
ISO #9001

Model No.
B-7242-08M

Item No.

Travelers Rest, SC: 800-476-4103 Simi Valley, CA: 800-423-0150 Fax: 864-834-3518 www.tsbrass.com

This Space for Architect/Engineer Approval

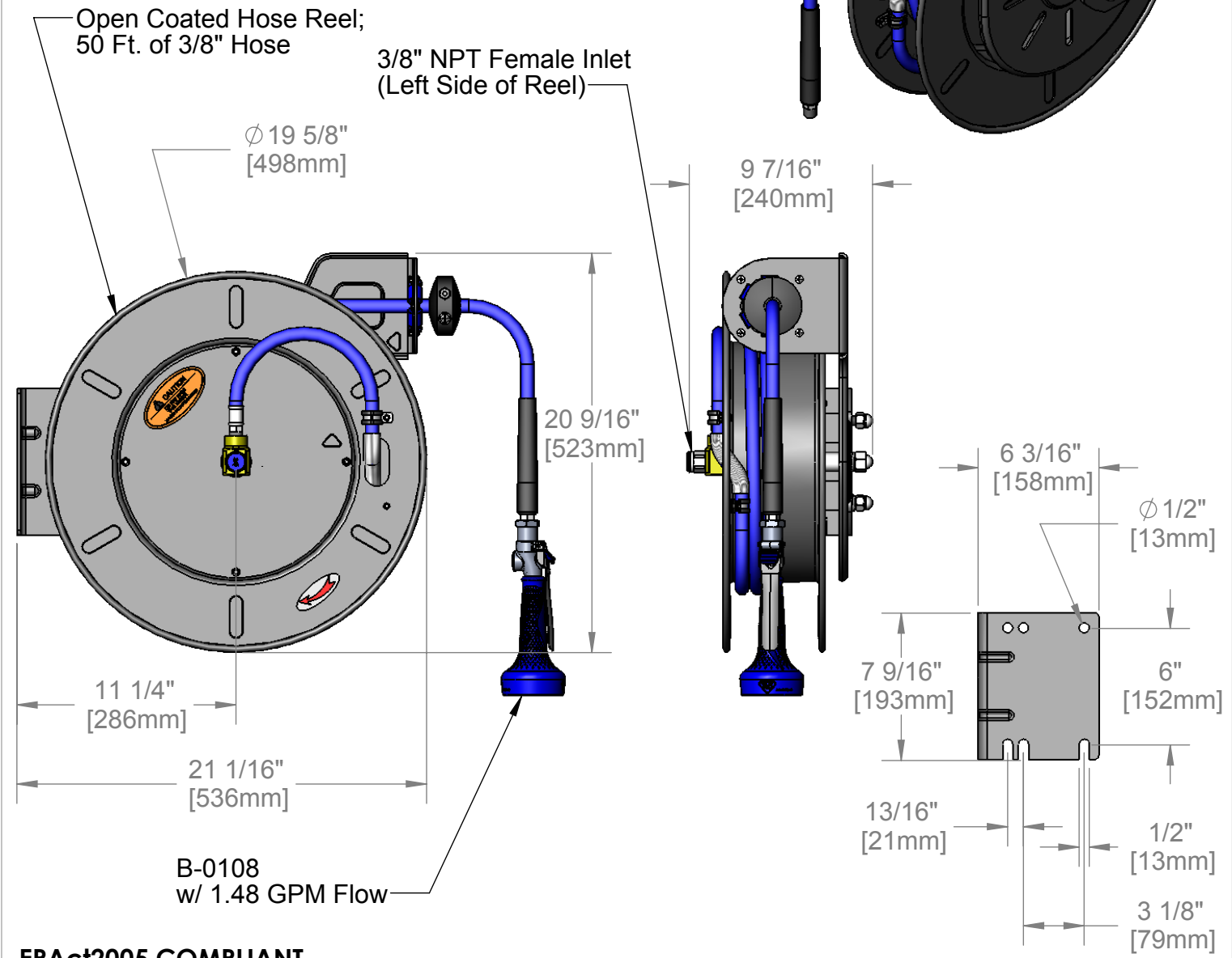
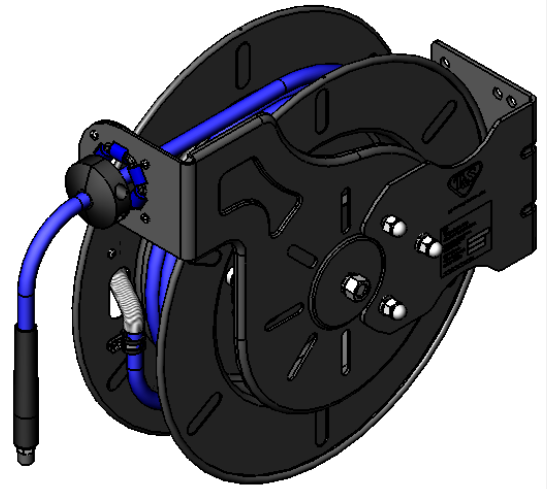
Job Name _____ Date _____

Model Specified _____ Quantity _____

Customer/Wholesaler _____

Contractor _____

Architect/Engineer _____



EPAct2005 COMPLIANT

Product Specifications:

**3/8" x 50 Ft. Open Coated Reel
B-0108 w/ 1.48 GPM Flow**

Drawn JRM	Checked DHL	Approved JHB
Scale: 1:8	Date: 12/19/07	



T&S BRASS AND BRONZE WORKS, INC.
 2 Saddleback Cove / P.O. Box 1088
 Travelers Rest, SC 29690



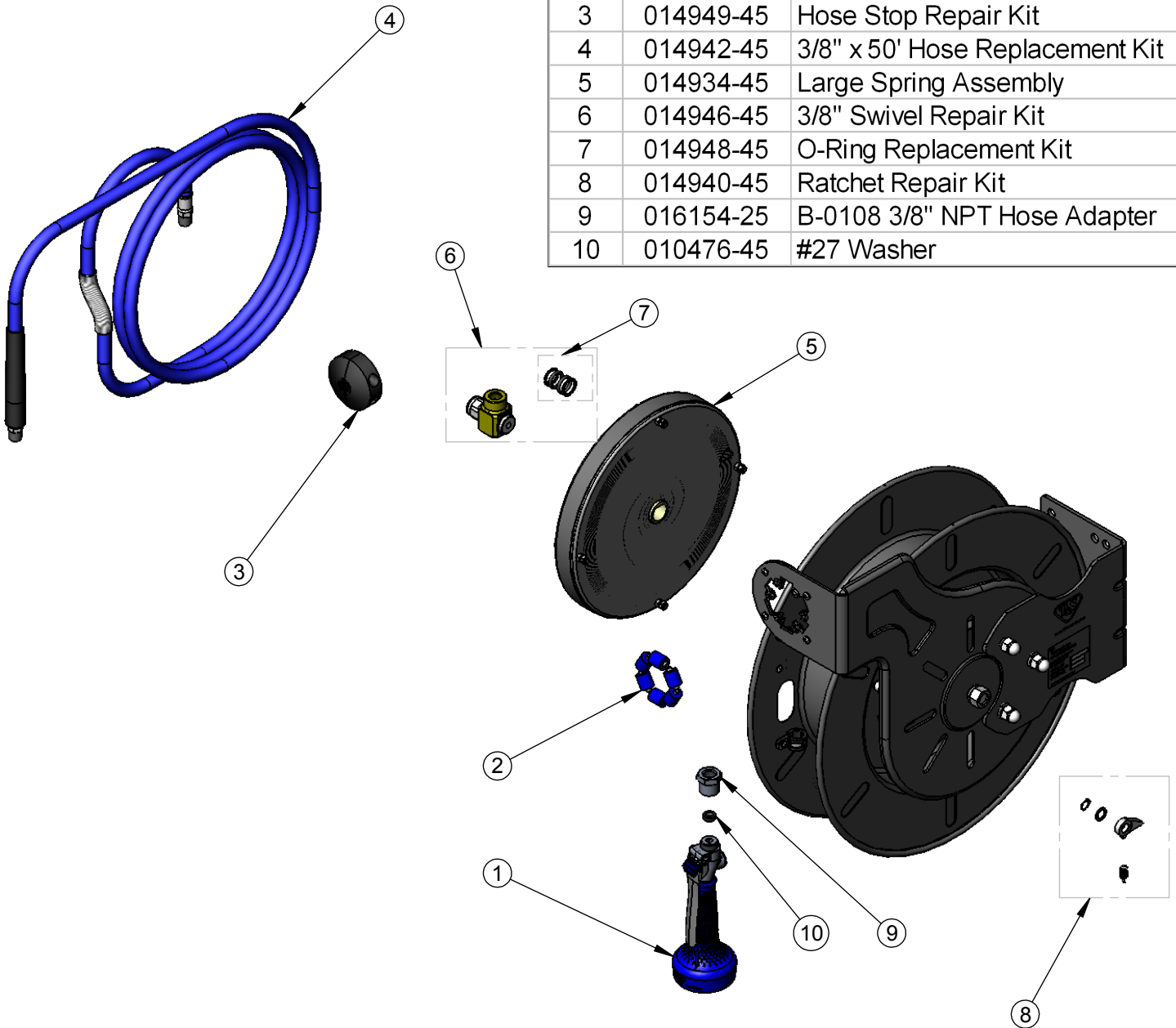
REG. #A2601
 ISO #9001

Model No.
B-7242-08M

Item No.

Travelers Rest, SC: 800-476-4103 Simi Valley, CA: 800-423-0150 Fax: 864-834-3518 www.tsbrass.com

ITEM NO.	SALES NO.	DESCRIPTION
1	B-0108	1.48 GPM B-0108 Spray Valve
2	014938-45	Roller Assembly Repair Kit
3	014949-45	Hose Stop Repair Kit
4	014942-45	3/8" x 50' Hose Replacement Kit
5	014934-45	Large Spring Assembly
6	014946-45	3/8" Swivel Repair Kit
7	014948-45	O-Ring Replacement Kit
8	014940-45	Ratchet Repair Kit
9	016154-25	B-0108 3/8" NPT Hose Adapter
10	010476-45	#27 Washer



Product Specifications:

3/8" x 50 Ft. Open Coated Reel
 B-0108 w/ 1.48 GPM Flow

Drawn JRM	Checked DHL	Approved JHB
Scale: 1:8		Date: 12/19/07

T&S BRASS AND BRONZE WORKS, INC.

2 Saddleback Cove / P.O. Box 1088
Travelers Rest, SC 29690



REG. #A2601
ISO #9001

Model No.
B-7242-10

Item No.

Travelers Rest, SC: 800-476-4103 Simi Valley, CA: 800-423-0150 Fax: 864-834-3518 www.tsbrass.com

This Space for Architect/Engineer Approval

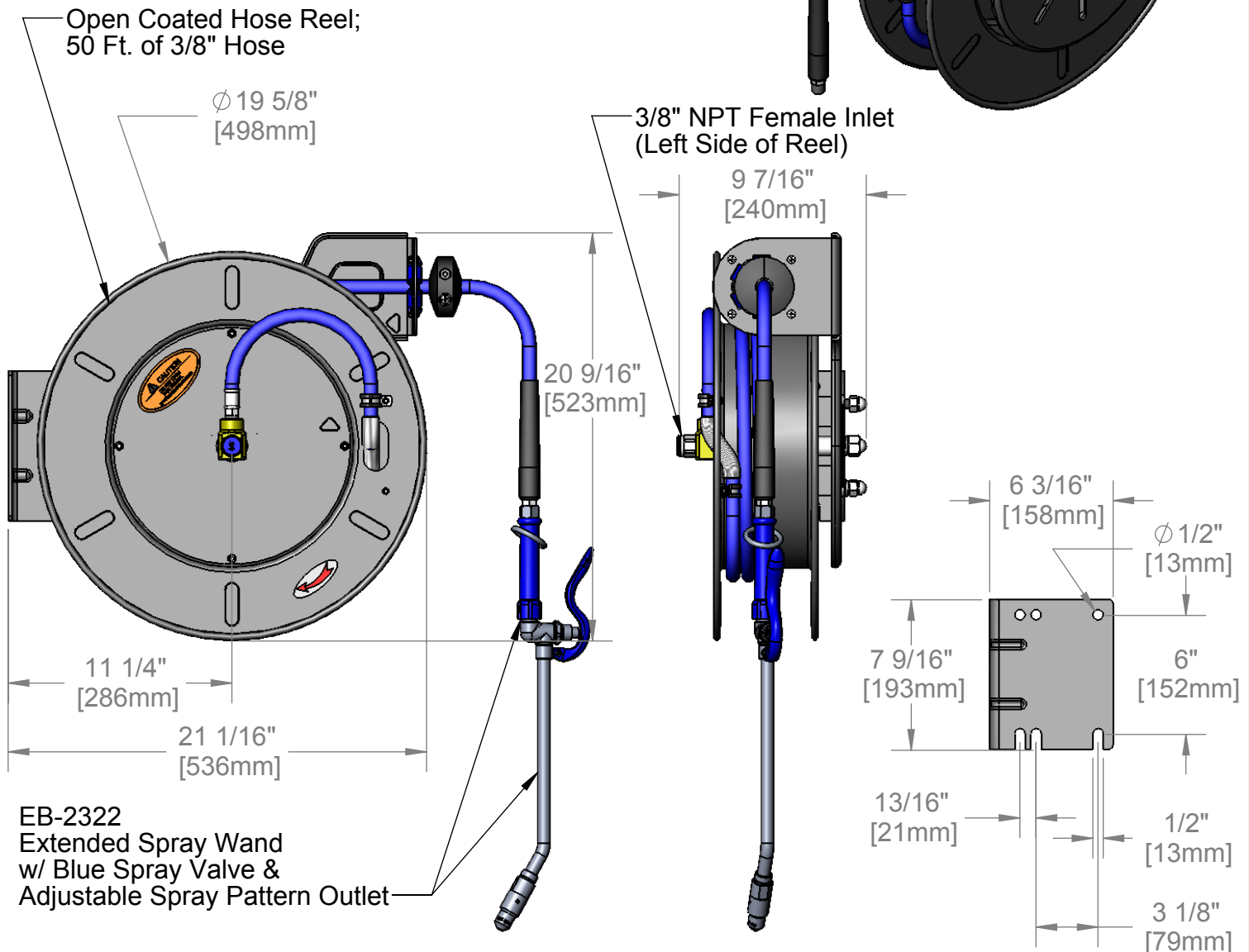
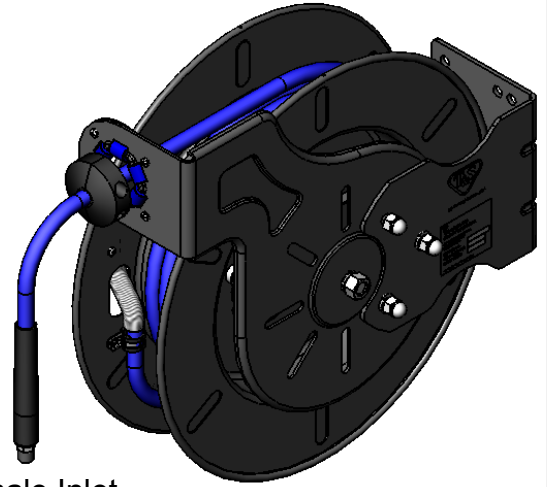
Job Name _____ Date _____

Model Specified _____ Quantity _____

Customer/Wholesaler _____

Contractor _____

Architect/Engineer _____



Product Specifications:

**3/8" x 50 Ft. Open Coated Reel
w/ EB-2322 Extended Spray Wand & Blue Spray Valve**

Drawn JRM	Checked DHL	Approved JHB
Scale: 1:8	Date: 12/19/07	

T&S BRASS AND BRONZE WORKS, INC.

2 Saddleback Cove / P.O. Box 1088
Travelers Rest, SC 29690

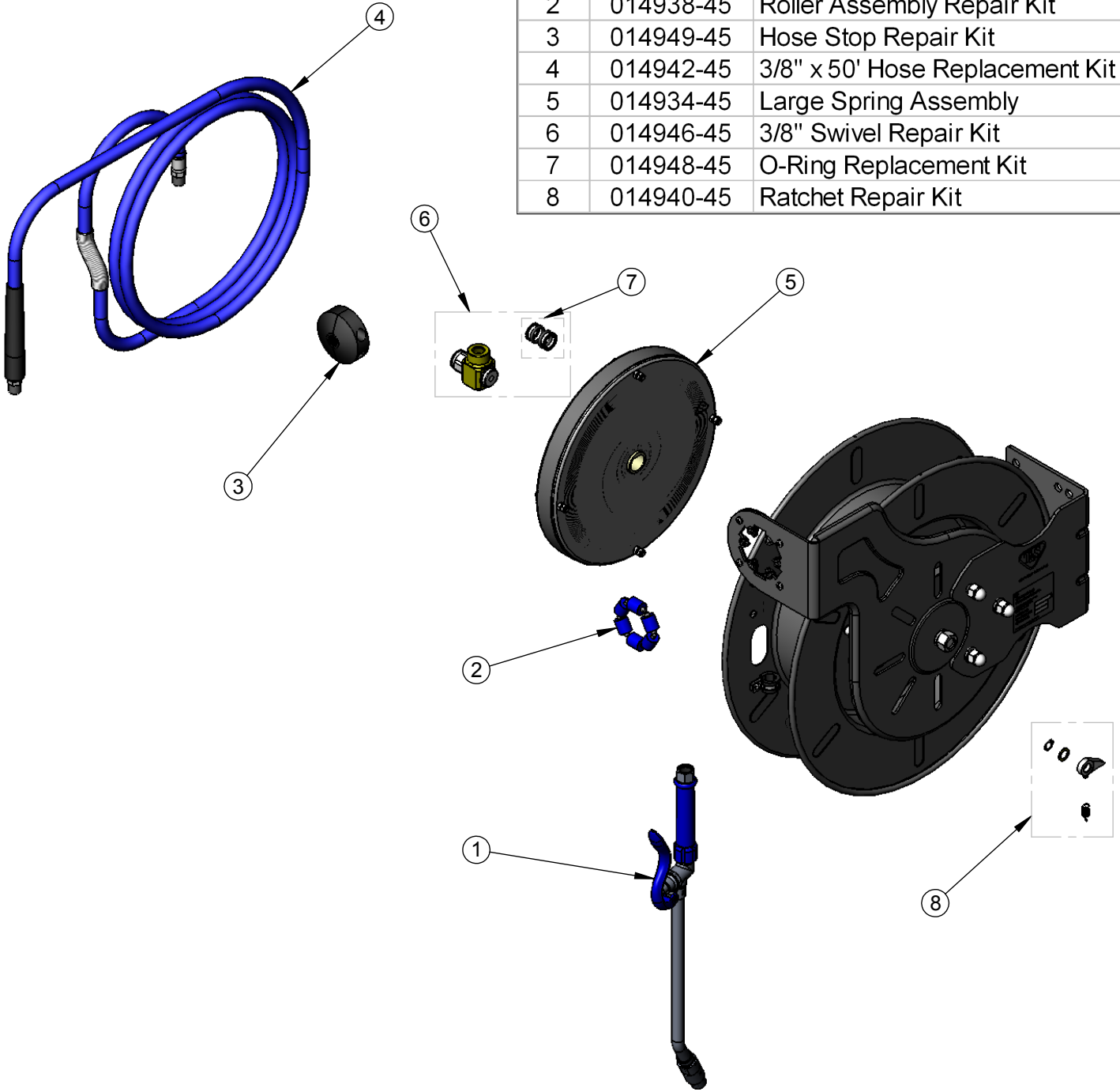
Model No.
B-7242-10

REG. #A2601
ISO #9001

Item No.

Travelers Rest, SC: 800-476-4103 Simi Valley, CA: 800-423-0150 Fax: 864-834-3518 www.tsbrass.com

ITEM NO.	SALES NO.	DESCRIPTION
1	EB-2322	Extended Wand Spray Valve
2	014938-45	Roller Assembly Repair Kit
3	014949-45	Hose Stop Repair Kit
4	014942-45	3/8" x 50' Hose Replacement Kit
5	014934-45	Large Spring Assembly
6	014946-45	3/8" Swivel Repair Kit
7	014948-45	O-Ring Replacement Kit
8	014940-45	Ratchet Repair Kit



Product Specifications:

3/8" x 50 Ft. Open Coated Reel
w/ EB-2322 Extended Spray Wand & Blue Spray Valve

Drawn JRM	Checked DHL	Approved JHB
Scale: 1:8		Date: 12/19/07