



T&S BRASS AND BRONZE WORKS, INC.

2 SADDLEBACK COVE / P.O. BOX 1088 / TRAVELERS REST, SC 29690

PHONE 800-476-4103

FAX 864-834-3518



REG.#A2601
ISO #9001

Model No.

B-7233-02

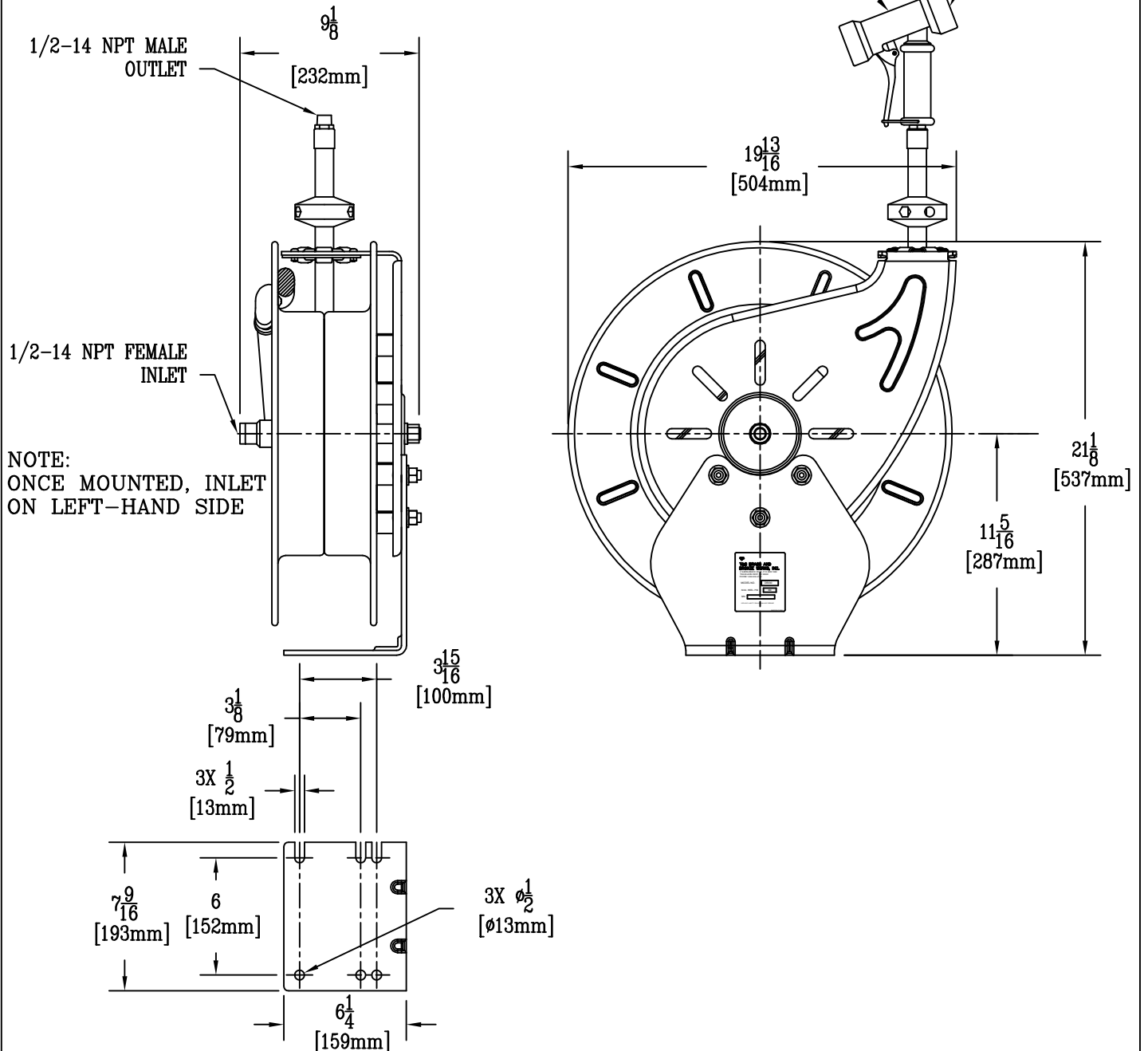
Item No.:

Job Name:

Architect/Engineer Approval:

Notes:

MV-2516-24 REAR TRIGGER STYLE GUN
WITH RETRACTABLE HOLD DOWN CLIP,
STAINLESS STEEL BODY AND ROYAL
BLUE RUBBER COVER



Product Description:
HOSEREEL, OPEN, EPOXY POWDER COATED STEEL
35 FT OF 1/2 DIA. BLUE HOSE AND
MV-2516-24 REAR TRIGGER, 5/16" SPRAY GUN

Drawn:

JRM

Checked:

JHB

Scale:

1 : 8

Approved:

JHB

Date:

6/09/05



T&S BRASS AND BRONZE WORKS, INC.
 2 SADDLEBACK COVE / P.O. BOX 1088 / TRAVELERS REST, SC 29690
 PHONE 800-476-4103 FAX 864-834-3518



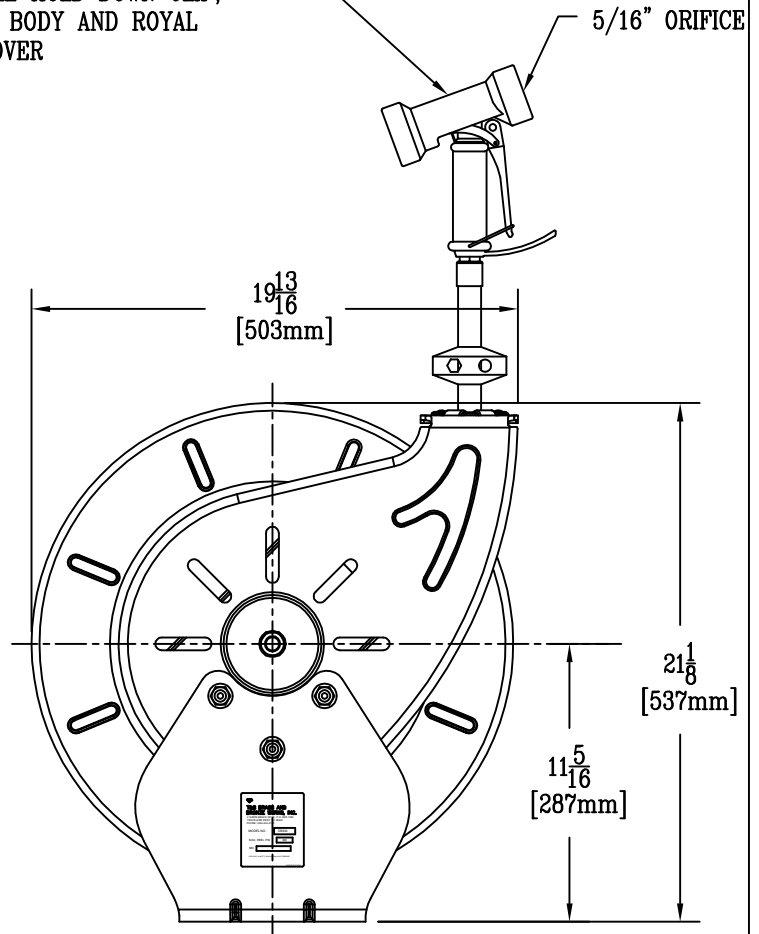
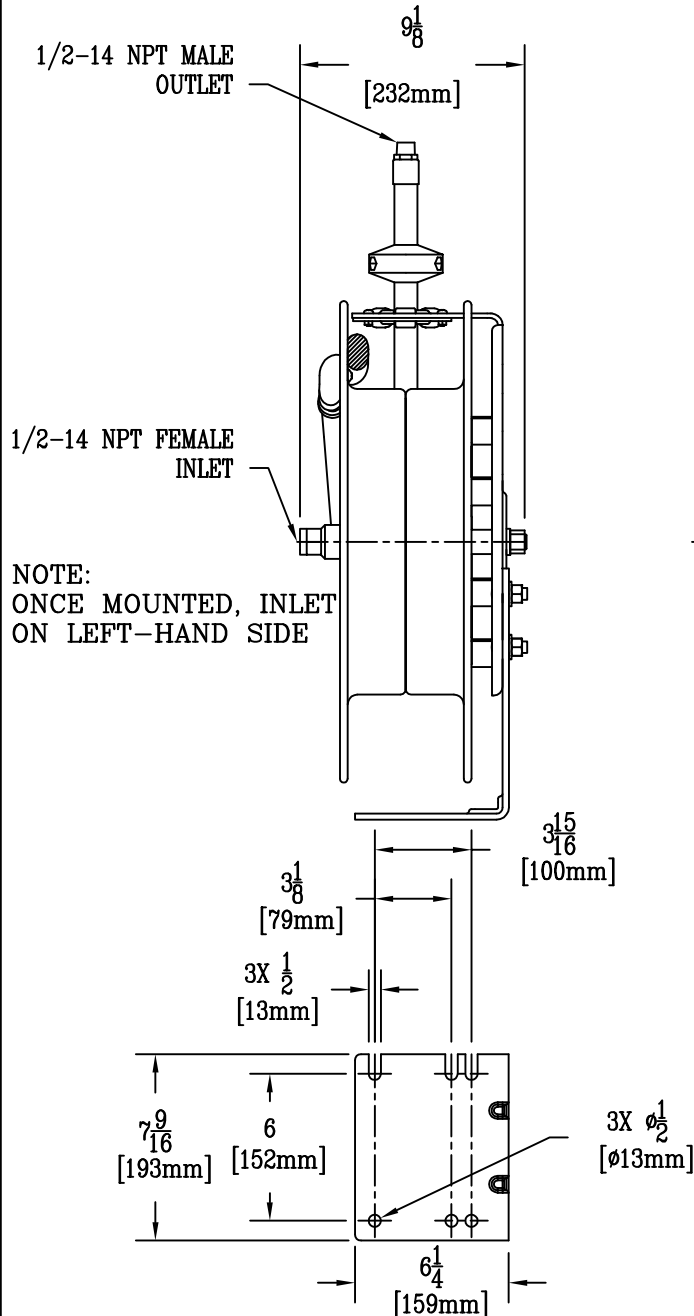
Model No.
 B-7233-05
 Item No.:

Job Name:

Architect/Engineer Approval:

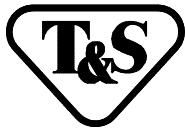
Notes:

MV-2522-24 FRONT TRIGGER STYLE GUN
 WITH RETRACTABLE HOLD DOWN CLIP,
 STAINLESS STEEL BODY AND ROYAL
 BLUE RUBBER COVER



Product Description:
 HOSEREEL, OPEN, EPOXY POWDER COATED STEEL
 35 FT OF 1/2 DIA. BLUE HOSE AND
 MV-2522-24 FRONT TRIGGER, 5/16" SPRAY GUN

Drawn: JRM	Checked JHB	Scale: 1 : 8
Approved JHB	Date: 6/09/05	



T&S BRASS AND BRONZE WORKS, INC.
 2 SADDLEBACK COVE / P.O. BOX 1088 / TRAVELERS REST, SC 29690
 PHONE 800-476-4103 FAX 864-834-3518



Model No.

B-7233-08H

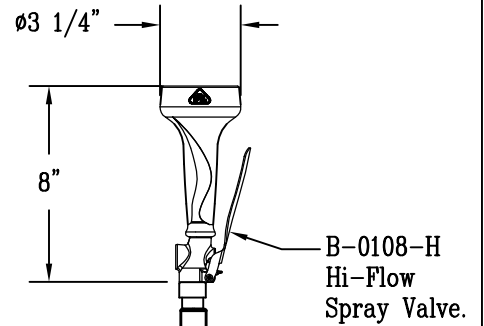
Item No.:

Job Name:

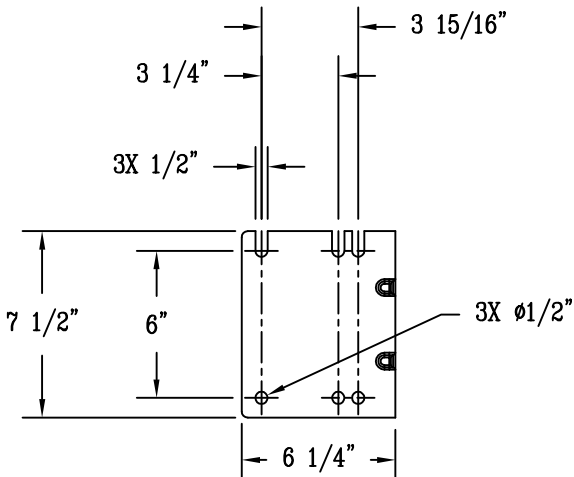
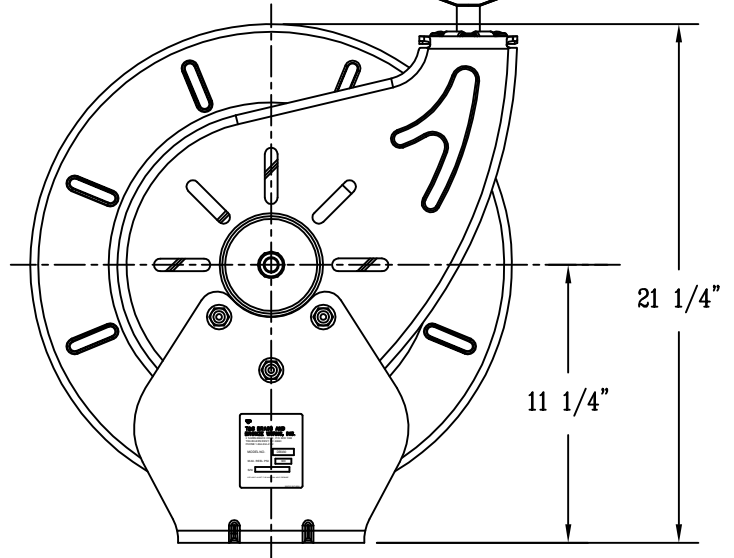
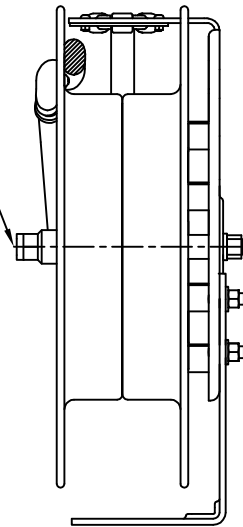
Architect/Engineer Approval:

Notes:

NOTE:
 ONCE MOUNTED, INLET
 ON LEFT-HAND SIDE



1/2-14 NPT FEMALE
 INLET



Product Description:

Hose Reel: Open, Epoxy Powder Coated Steel,
 35 FT of 1/2" Dia. Blue Hose and
 Hi-Flow Spray Valve

Drawn:

WJS

Checked

JRM

Scale:

1 : 8

Approved

JHB

Date:

05/18/06