



T&S BRASS AND BRONZE WORKS, INC.
 2 Saddleback Cove / P.O. Box 1088
 Travelers Rest, SC 29690

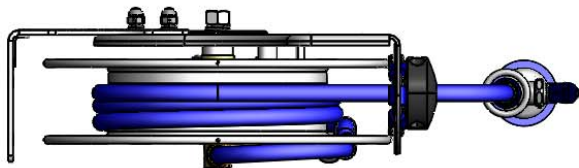
Model No.
B-7132-01

Item No.

Travelers Rest, SC: 800-476-4103 • Simi Valley, CA: 800-423-0150 • Fax: 864-834-3518 • www.tsbrass.com

This Space for Architect/Engineer Approval

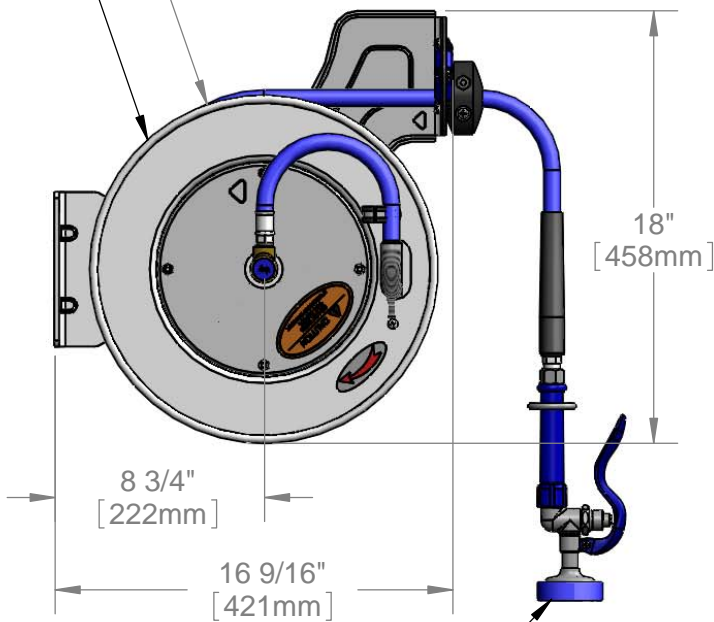
Job Name _____ Date _____
 Model Specified _____ Quantity _____
 Customer/Wholesaler _____
 Contractor _____
 Architect/Engineer _____



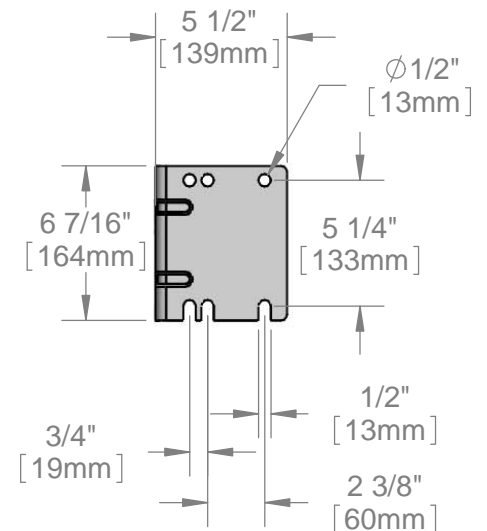
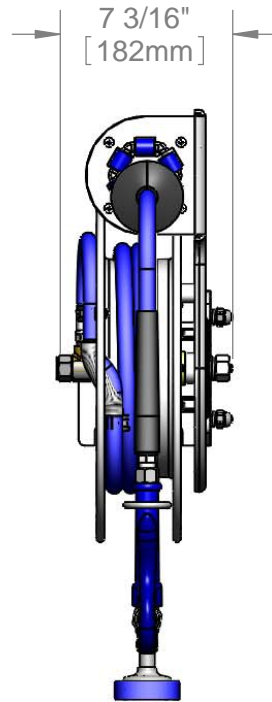
3/8" NPT Female Inlet
 (Left Side of Reel)

Open Stainless Steel Hose Reel
 35' of 3/8" Hose

Ø14 1/2"
 [368mm]



EB-0107
 High Flow
 Spray Valve



Product Specifications:
 3/8" x 35' Open Stainless Steel Reel & High Flow Spray Valve

Product Compliance:
 NSF 61 Exempt (Non-Potable)
 EPA Act 2005 Non-Compliant (PRSV)



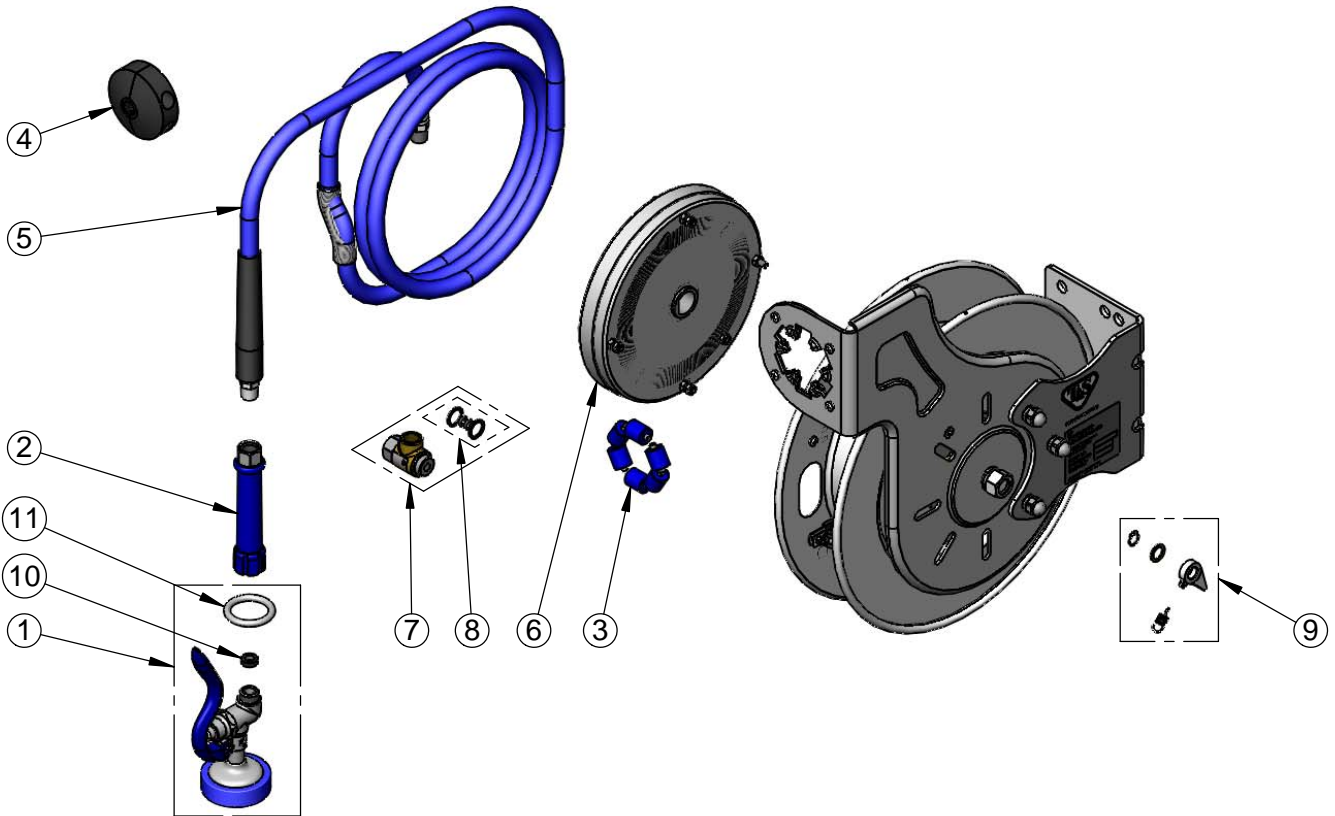
T&S BRASS AND BRONZE WORKS, INC.
 2 Saddleback Cove / P.O. Box 1088
 Travelers Rest, SC 29690

Model No.
B-7132-01

Item No.

Travelers Rest, SC: 800-476-4103 • Simi Valley, CA: 800-423-0150 • Fax: 864-834-3518 • www.tsbrass.com

ITEM NO.	SALES NO.	DESCRIPTION
1	EB-0107	High Flow Spray Valve (Blue)
2	012504-40	Grip Handle (Blue) w/ Washer
3	014938-45	Roller Replacement Kit
4	014949-45	Hose Stop Repair Kit
5	014941-45	3/8" x 35' Hose Replacement Kit
6	014933-45	Small Stainless Steel Spring
7	014946-45	3/8" Swivel Repair Kit
8	014948-45	O-Ring Replacement Kit
9	014940-45	Ratchet Repair Kit
10	010476-45	#27 Washer
11	000907-45	Spray Valve Hold Down Ring



Product Specifications:
 3/8" x 35' Open Stainless Steel Reel & High Flow Spray Valve

Product Compliance:
 NSF 61 Exempt (Non-Potable)
 EPA Act 2005 Non-Compliant (PRSV)