



T&S BRASS AND BRONZE WORKS, INC.

2 Saddleback Cove / P.O. Box 1088
Travelers Rest, SC 29690



REG. #A2601
ISO #9001

Model No.
B-3960-01

Item No.

Travelers Rest, SC: 800-476-4103 Simi Valley, CA: 800-423-0150 Fax: 864-834-3518 www.tsbrass.com

This Space for Architect/Engineer Approval

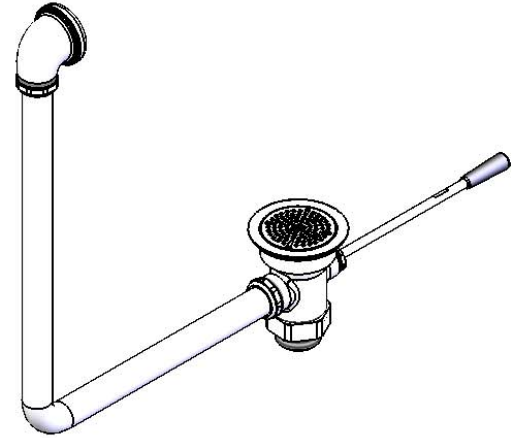
Job Name _____ Date _____

Model Specified _____ Quantity _____

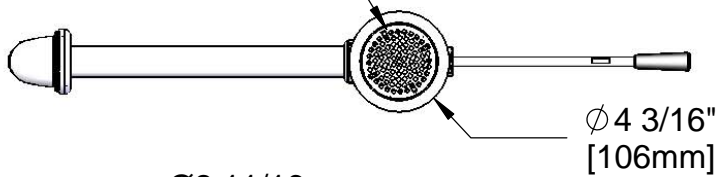
Customer/Wholesaler _____

Contractor _____

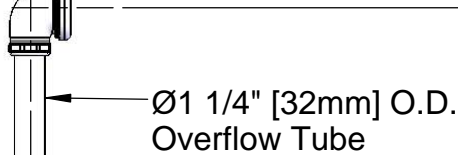
Architect/Engineer _____



Removable
Snap-In Strainer



Ø2 11/16
[68mm]



Ø1 1/4" [32mm] O.D.
Overflow Tube

5 3/4"
[145mm]

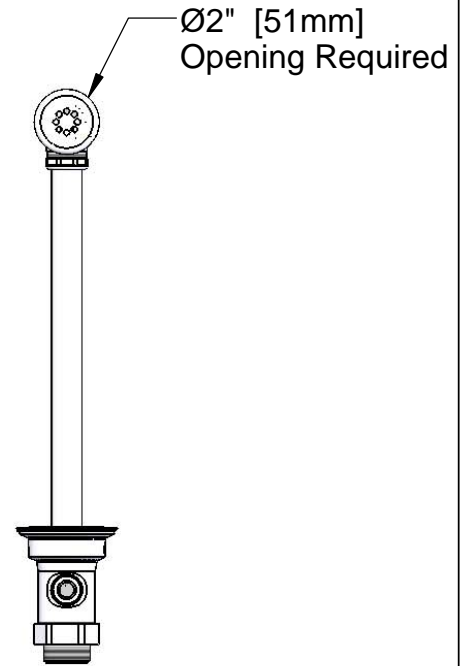
12 1/8" ± 1/8"
[308mm]

2 5/8"
[67mm]

19 1/2"
[492mm]

15 3/8"
[391mm]

Adapter Converts 2" NPT
Male Thread to 1 1/2" NPT
Male Thread. Remove
Adapter when 2" NPT Male
Thread is Needed.



Ø2" [51mm]
Opening Required

Product Specifications:

Waste Drain Valve w/ Lever Handle, 3" Sink Opening,
2" NPT Male Outlet, 1 1/2" NPT Male Adapter & Overflow
Tube w/ Head Asm.

Drawn GEF	Checked KJG	Approved JHB
Scale: 1:8		Date: 07/15/11



T&S BRASS AND BRONZE WORKS, INC.

2 Saddleback Cove / P.O. Box 1088
Travelers Rest, SC 29690



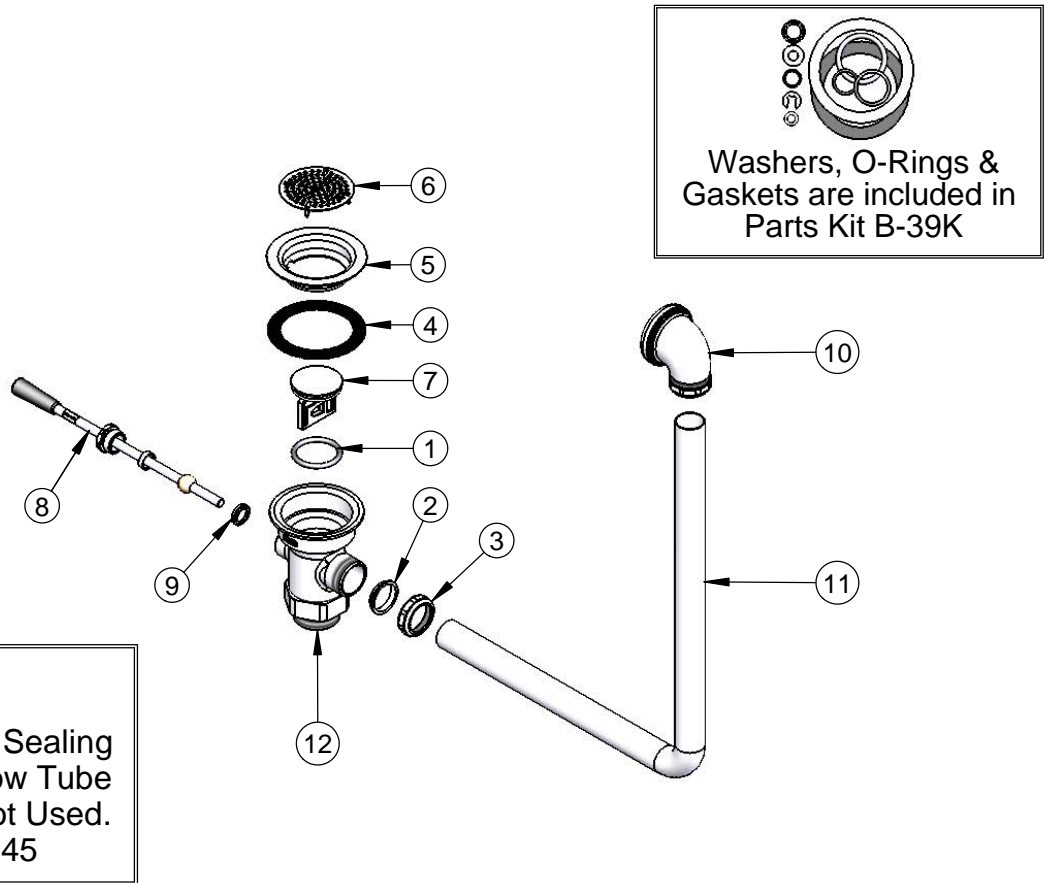
REG. #A2601
ISO #9001

Model No.
B-3960-01

Item No.

Travelers Rest, SC: 800-476-4103 Simi Valley, CA: 800-423-0150 Fax: 864-834-3518 www.tsbrass.com

ITEM NO.	SALES NO.	DESCRIPTION
1	010389-45	O-Ring, Plunger
2	010390-45	Ferrule, Coupling Nut
3	010391-45	Nut, Coupling For Twist Drain
4	010381-45	Gasket, 3" Face Flange
5	015306-45	Flange, 3" Face
6	010385-45	Strainer, 3" Snap-in
7	010388-45	Plunger, Lever and Twist Drain
8	010394-45	Handle Asm, Waste Drain Valve Lever
9	010392-45	Bushing, Waste Drain Lever Handle
10	011356-45	Head Asm, Overflow Tube
11	011355-45	Tube, Overflow Elbow
12	B-3945	Adapter, 2" NPT x 1 1/2" NPT



Product Specifications:

Waste Drain Valve w/ Lever Handle, 3" Sink Opening,
2" NPT Male Outlet, 1 1/2" NPT Male Adapter & Overflow
Tube w/ Head Asm.

Drawn GEF	Checked KJG	Approved JHB
Scale: 1:8		Date: 07/15/11