



T&S BRASS AND BRONZE WORKS, INC.

2 SADDLEBACK COVE / P.O. BOX 1088 / TRAVELERS REST, SC 29690

PHONE 800-476-4103

FAX 864-834-3518



Model No.

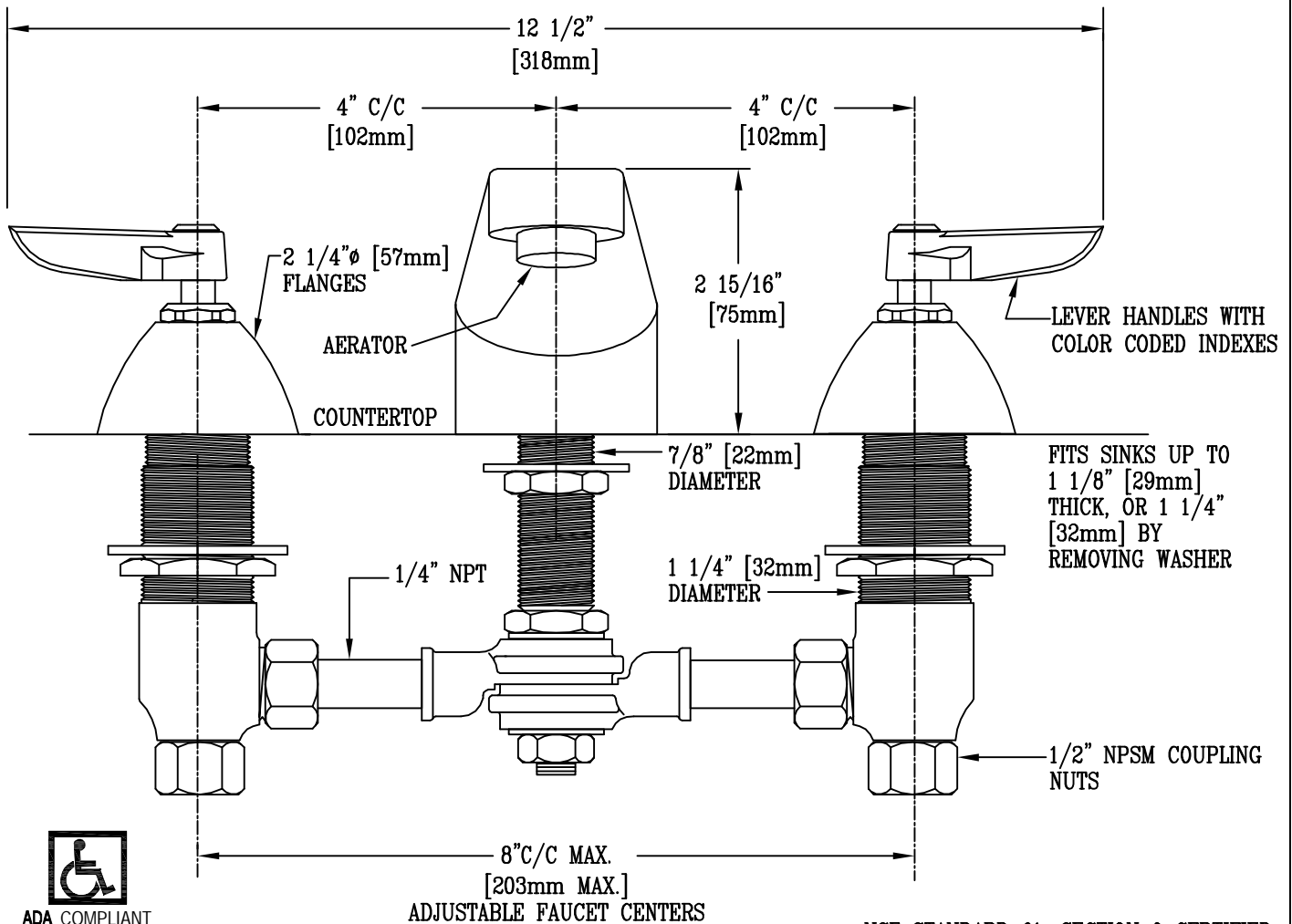
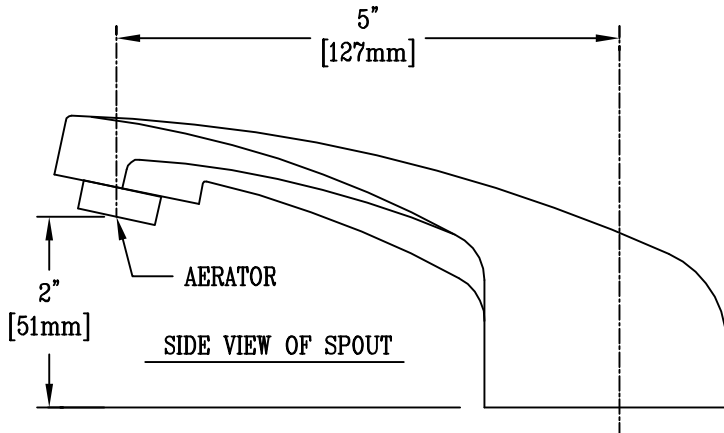
B-2992

Item No.:

Job Name:

Architect/Engineer Approval:

Notes:

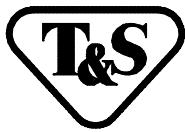


ADA COMPLIANT

NSF STANDARD 61, SECTION 9 CERTIFIED

Product Description:
DECK MOUNTED MIXING FAUCET WITH
ADJUSTABLE INLET CENTERS, LEVER HANDLES, AND
CAST SPOUT WITH AERATOR OUTLET

Drawn: TME	Checked MVW	Scale: 6" = 1'
Approved MVW	Date: 3-20-00	



T&S BRASS AND BRONZE WORKS, INC.

2 SADDLEBACK COVE / P.O. BOX 1088 / TRAVELERS REST, SC 29690

PHONE 800-476-4103

FAX 864-834-3518



REG.#A2601
ISO #9002

Model No.

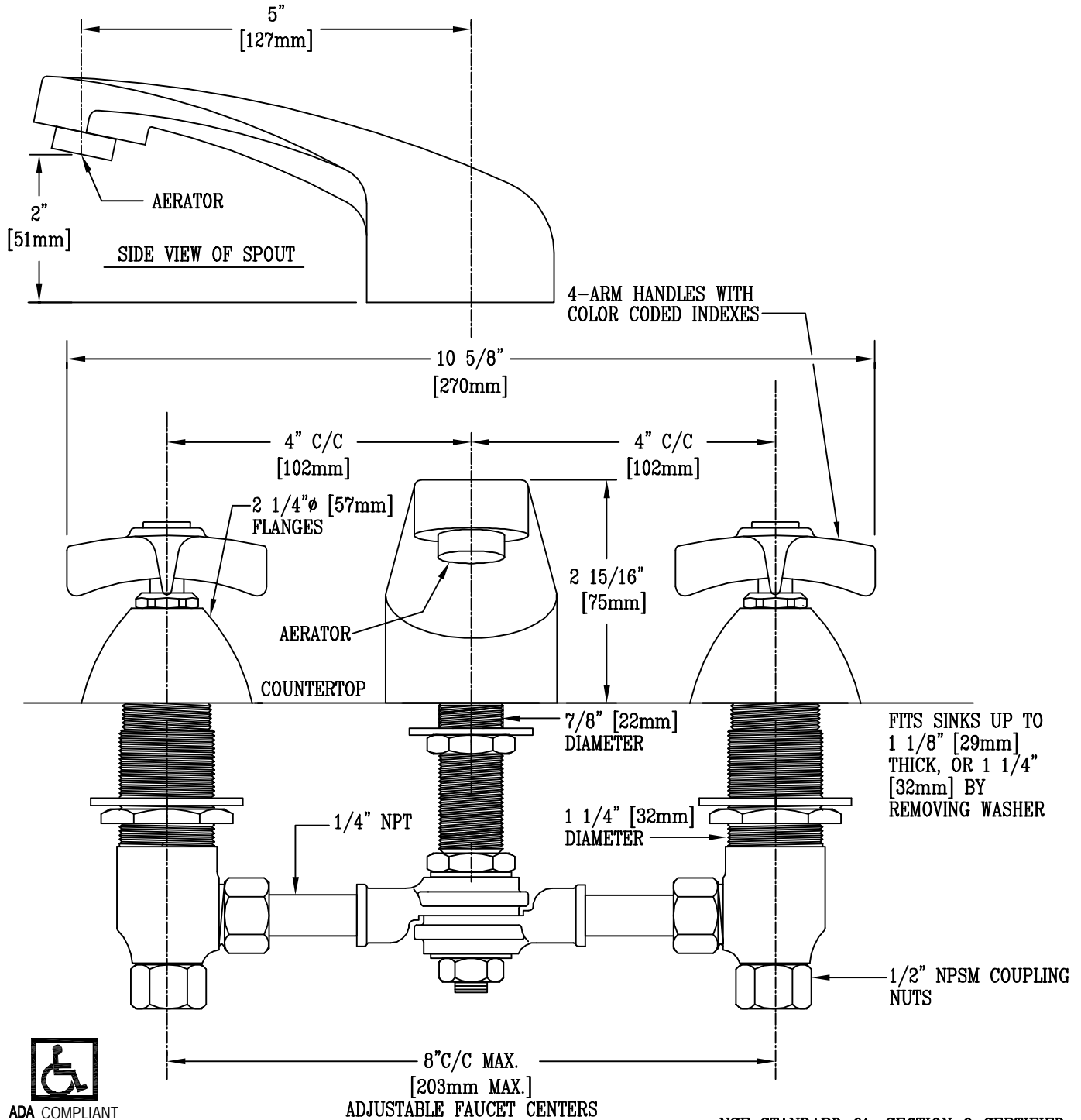
B-2992-175F

Item No.:

Job Name:

Architect/Engineer Approval:

Notes:



Product Description:
DECK MOUNTED MIXING FAUCET WITH
ADJUSTABLE INLET CENTERS, 4-ARM HANDLES, AND
CAST SPOUT WITH AERATOR OUTLET

Drawn:

TME

Approved

MVW

Checked

MVW

Date:

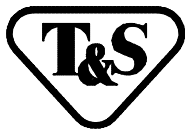
3-20-00

Scale:

6' = 1'

Date:

3-20-00



T&S BRASS AND BRONZE WORKS, INC.

2 SADDLEBACK COVE / P.O. BOX 1088 / TRAVELERS REST, SC 29690

PHONE 800-476-4103

FAX 864-834-3518



REG. #A2601
ISO #9002

Model No.

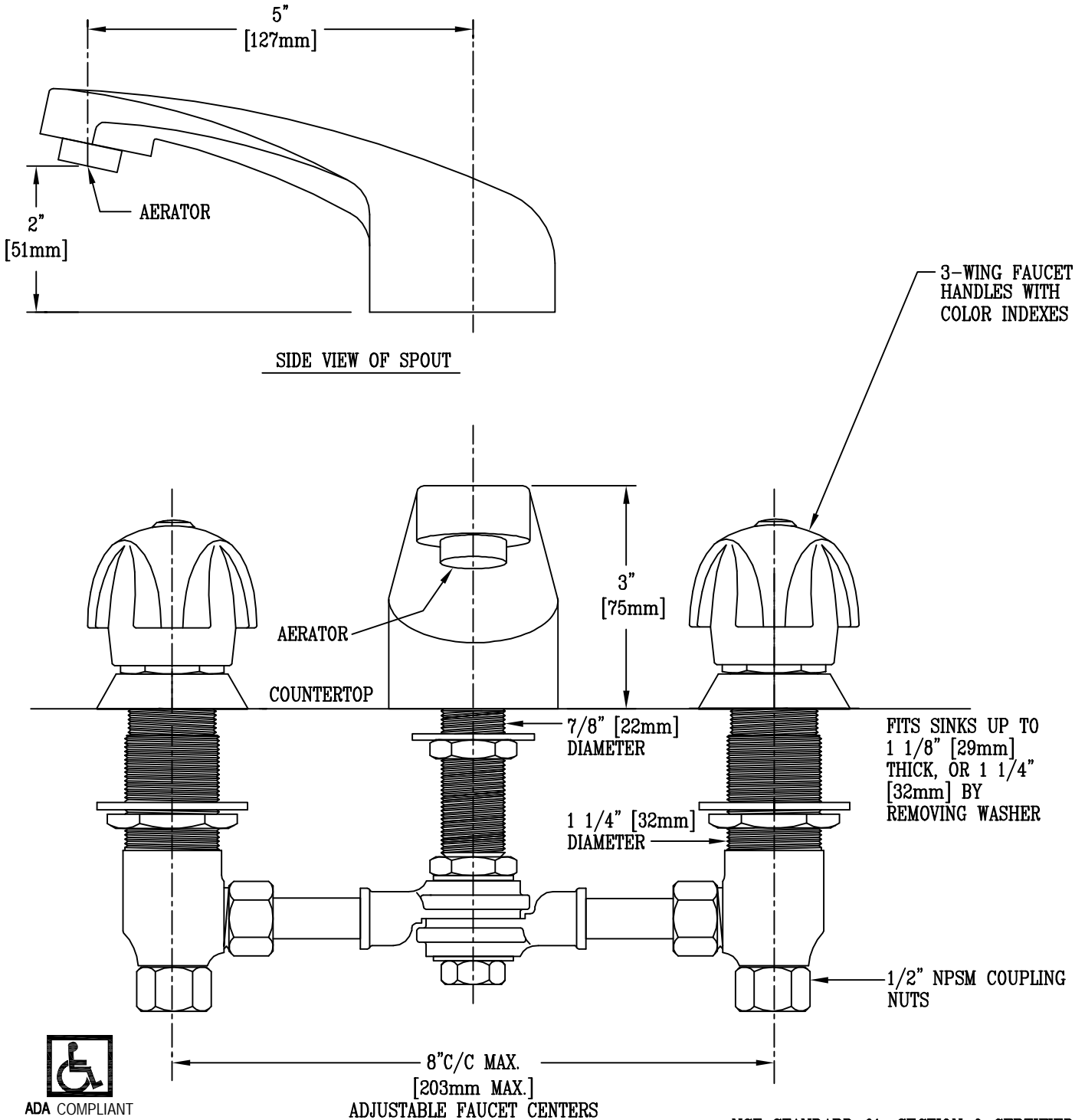
B-2992-180F

Item No.:

Job Name:

Architect/Engineer Approval:

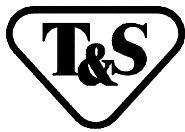
Notes:



NSF STANDARD 61, SECTION 9 CERTIFIED

Product Description:
DECK MOUNTED MIXING FAUCET WITH
ADJUSTABLE INLET CENTERS, 3-WING HANDLES, AND
CAST SPOUT WITH AERATOR OUTLET

Drawn: JKD	Checked WJS	Scale: 6" = 1'
Approved MVW	Date: 9-21-01	



T&S BRASS AND BRONZE WORKS, INC.
 2 SADDLEBACK COVE / P.O. BOX 1088 / TRAVELERS REST, SC 29690
 PHONE 800-476-4103 FAX 864- 834-3518



Model No.

B-2992-L

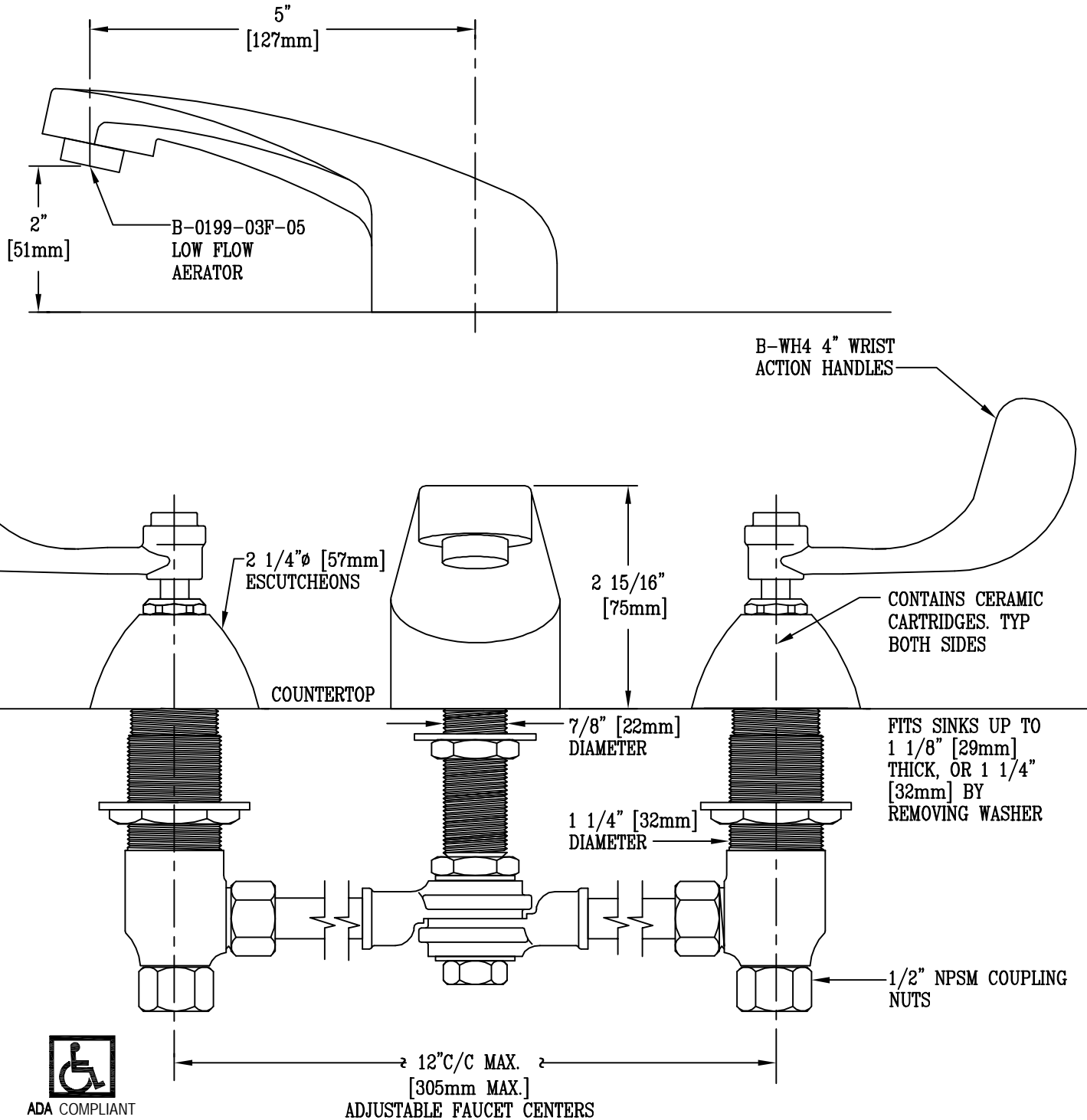
Item No.:

REG.#A2601
ISO #9002

Job Name:

Architect/Engineer Approval:

Notes:



Product Description:
 DECK MOUNTED MIXING FAUCET WITH
 12" c/c ADJUSTABLE INLET CENTERS, B-WH4 HANDLES, AND
 5" CAST SPOUT WITH LOW FLOW AERATOR OUTLET

Drawn:

WJS

Checked

JKD

Scale:

1 : 2

Approved

MVW

Date:

11/21/01



T&S BRASS AND BRONZE WORKS, INC.

2 SADDLEBACK COVE / P.O. BOX 1088 / TRAVELERS REST, SC 29690

PHONE 800-476-4103

FAX 864-834-3518



REG. #A2601
ISO #9002

Model No.

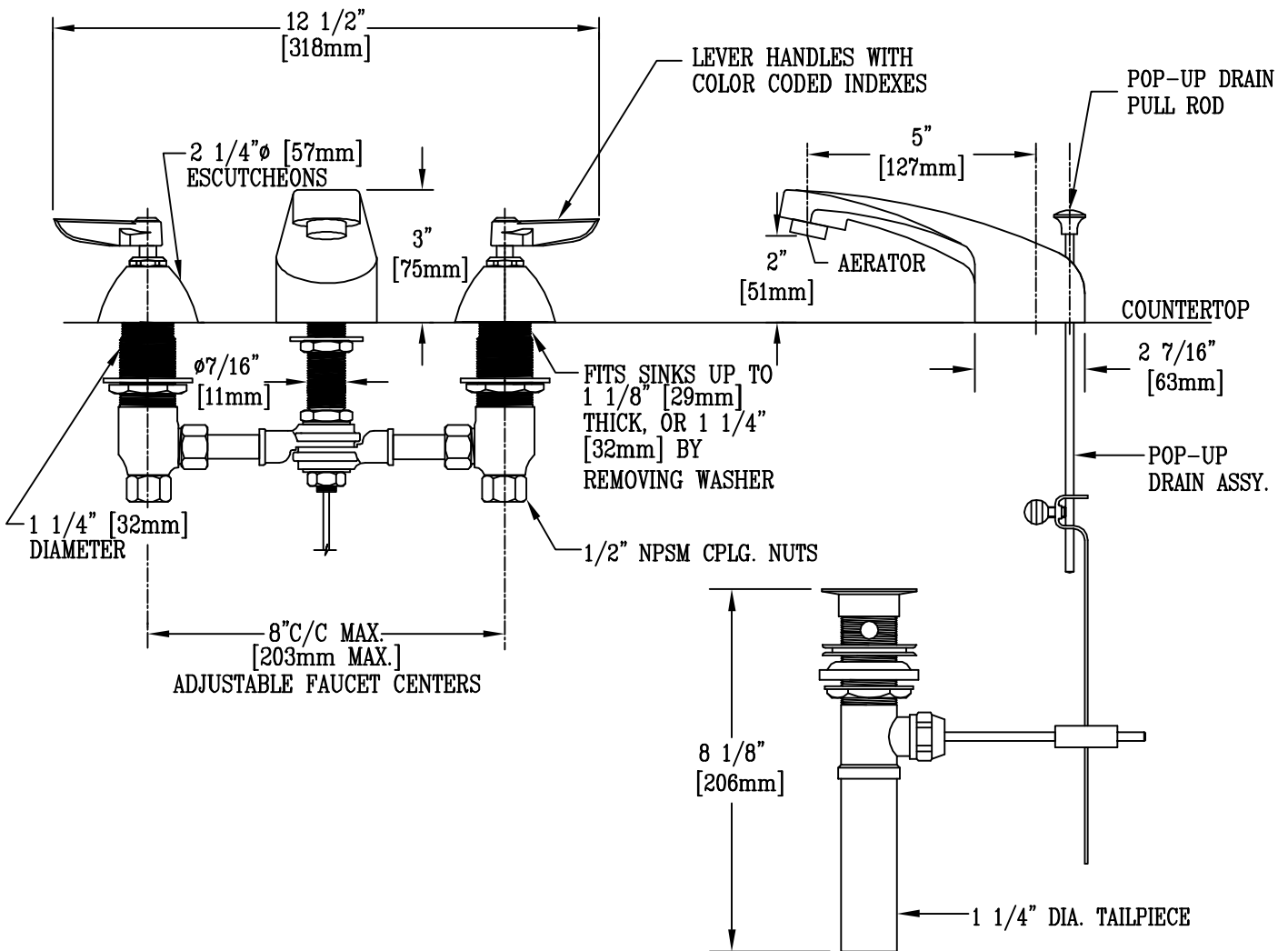
B-2992-P

Item No.:

Job Name:

Architect/Engineer Approval:

Notes:



NSF STANDARD 61, SECTION 9 CERTIFIED

Product Description:
DECK MOUNTED MIXING FAUCET WITH
ADJUSTABLE INLET CENTERS, LEVER HANDLES, AND
CAST SPOUT WITH AERATOR & DRY POP-UP DRAIN

Drawn: TEH	Checked WJS	Scale: 3" = 1'
Approved MVW	Date: 2/10/03	



T&S BRASS AND BRONZE WORKS, INC.

2 SADDLEBACK COVE / P.O. BOX 1088 / TRAVELERS REST, SC 29690

PHONE 800-476-4103

FAX 864-834-3518



REG. #A2601
ISO #9002

Model No.

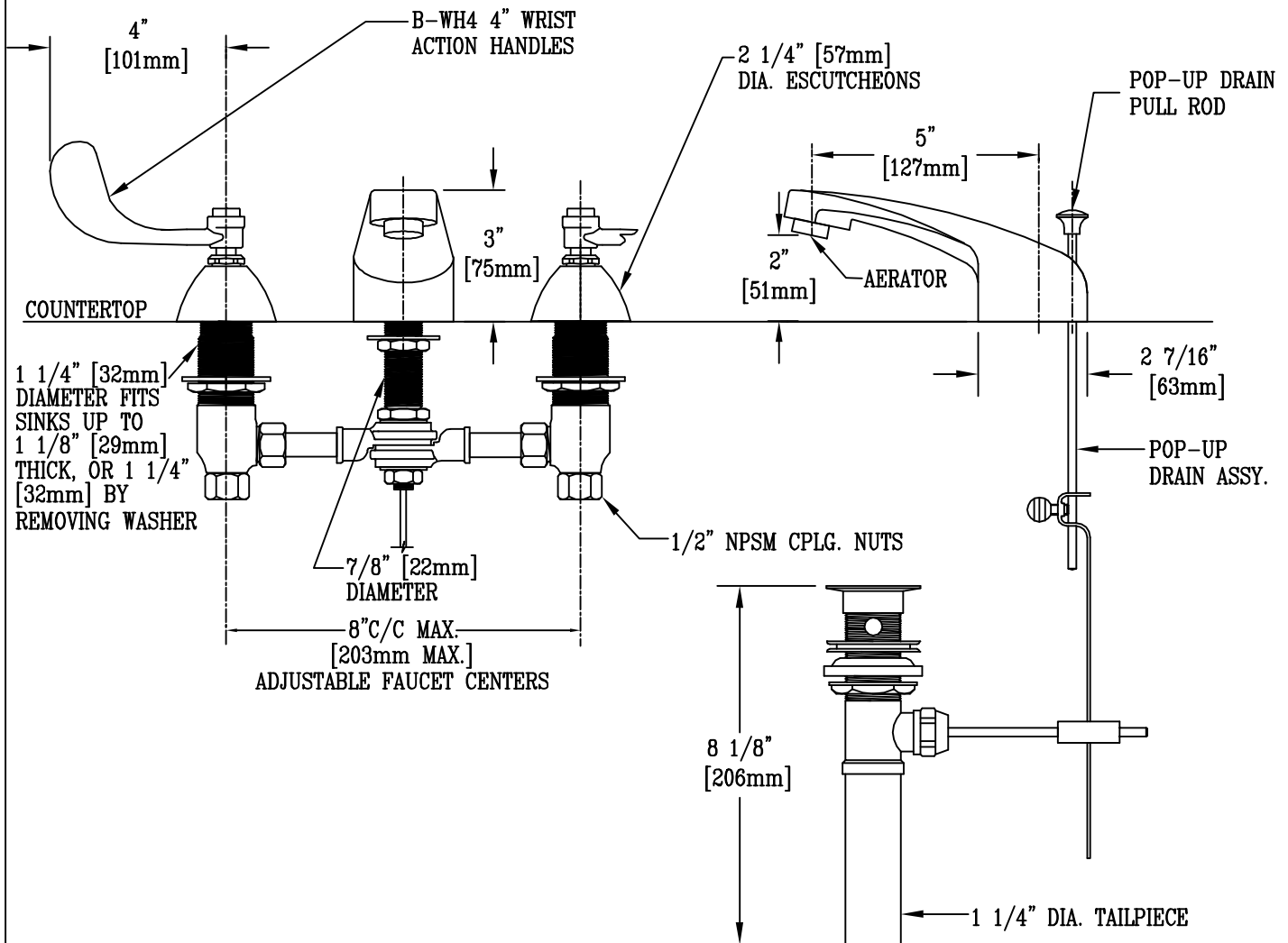
B-2992-PWH4

Item No.:

Job Name:

Architect/Engineer Approval:

Notes:



NSF STANDARD 61, SECTION 9 CERTIFIED

Product Description:
DECK MOUNTED MIXING FAUCET WITH ADJUSTABLE
INLET CENTERS, WRIST ACTION HANDLES, AND CAST
SPOUT WITH AERATOR AND DRY POP-UP DRAIN

Drawn: TEH	Checked WJS	Scale: 3" = 1'
Approved MVW	Date: 2/10/03	



T&S BRASS AND BRONZE WORKS, INC.

2 SADDLEBACK COVE / P.O. BOX 1088 / TRAVELERS REST, SC 29690

PHONE 800-476-4103

FAX 864- 834-3518



Model No.

B-2992-WH4

Item No.:

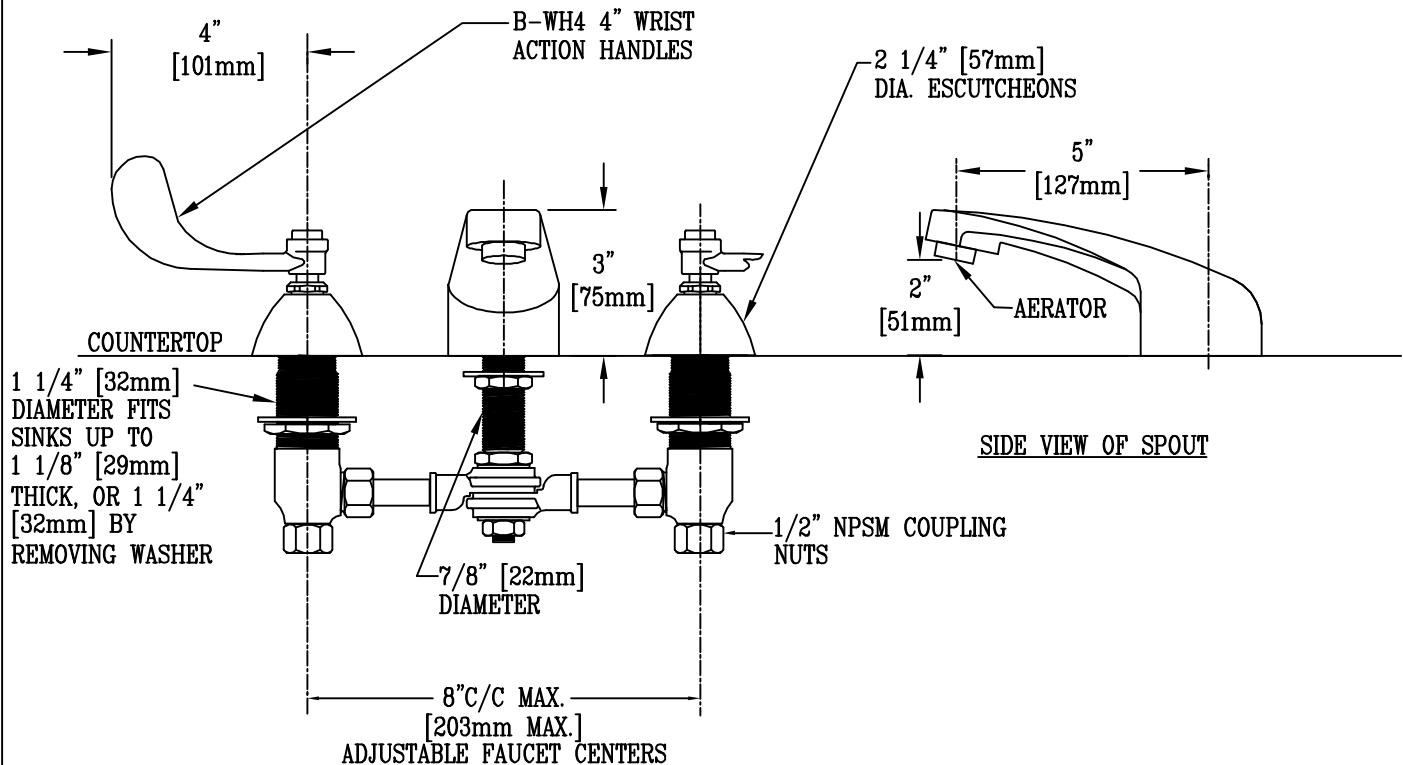
Job Name:

Architect/Engineer Approval:

Notes:



ADA COMPLIANT



NSF STANDARD 61, SECTION 9 CERTIFIED

Product Description:
DECK MOUNTED MIXING FAUCET WITH
ADJUSTABLE INLET CENTERS, WRIST ACTION HANDLES,
AND CAST SPOUT WITH AERATOR

Drawn: JKD	Checked WJS	Scale: 3" = 1'
Approved MVW	Date: 9-21-01	