



T&S BRASS AND BRONZE WORKS, INC.
 2 Saddleback Cove / P.O. Box 1088
 Travelers Rest, SC 29690

Model No.
B-2866-05-WA

Item No.

Travelers Rest, SC: 800-476-4103 • Simi Valley, CA: 800-423-0150 • Fax: 864-834-3518 • www.tsbrass.com

This Space for Architect/Engineer Approval

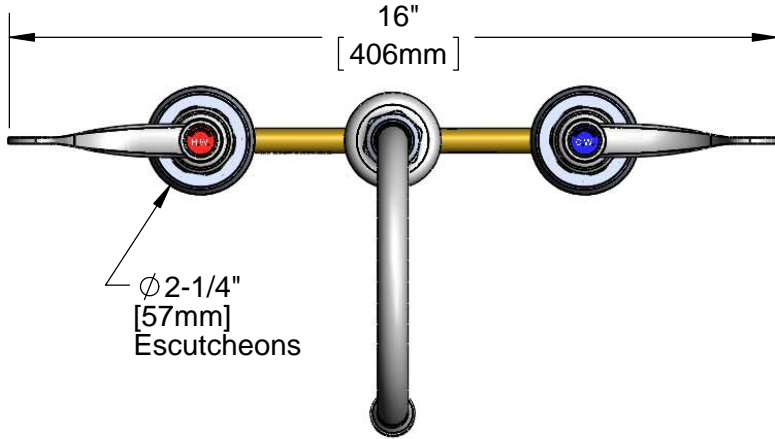
Job Name _____ Date _____

Model Specified _____ Quantity _____

Customer/Wholesaler _____

Contractor _____

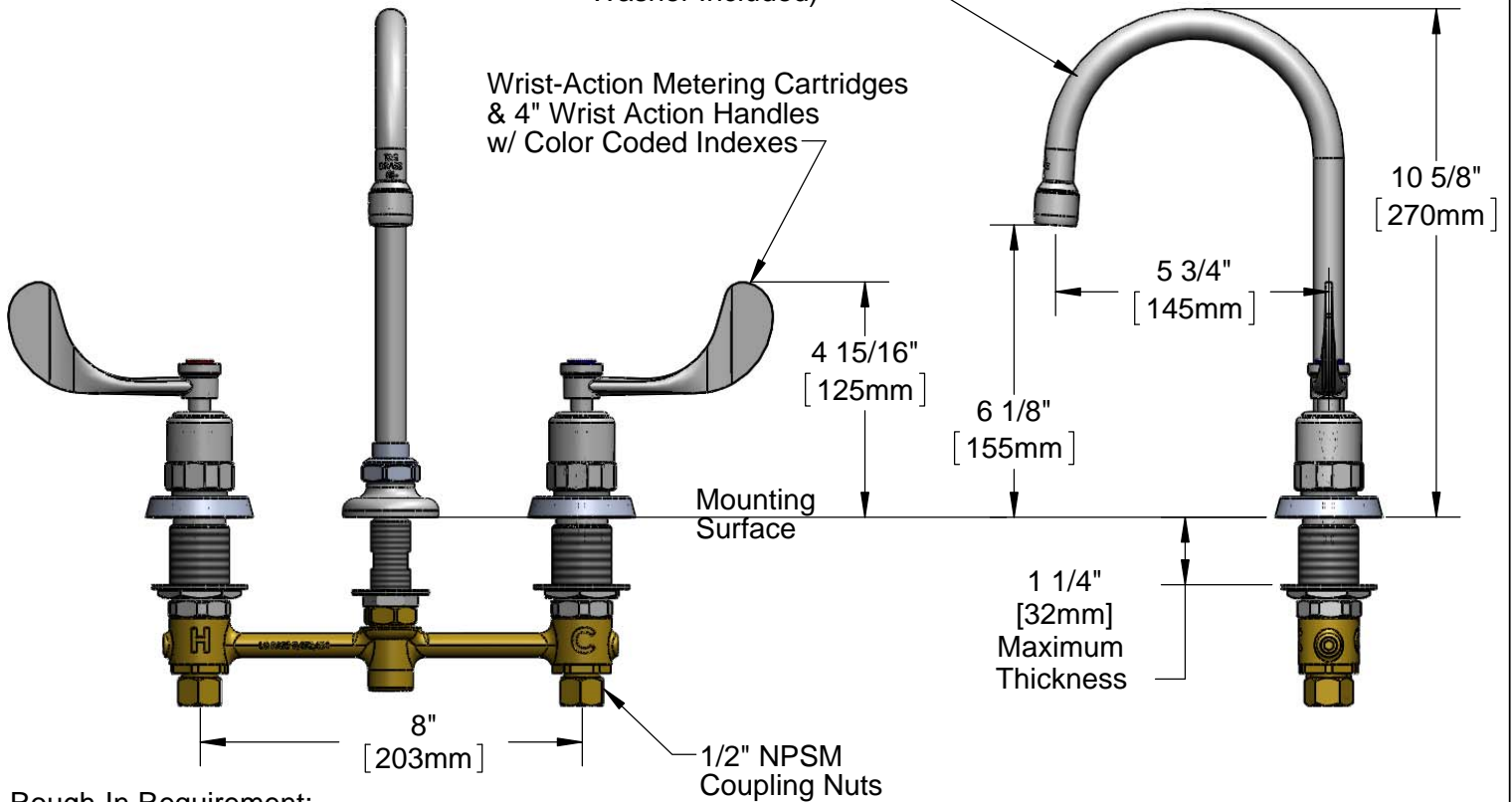
Architect/Engineer _____



ADA Compliant

Swivel Gooseneck w/
 2.2 GPM Aerator
 (Optional Swivel/Rigid
 Washer Included)

Wrist-Action Metering Cartridges
 & 4" Wrist Action Handles
 w/ Color Coded Indexes

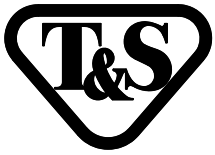


Rough-In Requirement:
 ∅ 1" [25mm] for Center Shank
 ∅ 1-1/2" [38mm] for Hot/Cold Side

Product Specifications:

EasyInstall Faucet w/ 4" Wrist Action Handles, Wrist-Action Metering Cartridges, 8" Inlet Centers, & Swivel Gooseneck w/ 2.2 GPM Aerator

Drawn KJG	Checked JRM	Approved JHB
Scale: 1:4		Date: 09/20/12



T&S BRASS AND BRONZE WORKS, INC.

2 Saddleback Cove / P.O. Box 1088
Travelers Rest, SC 29690

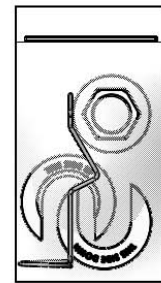
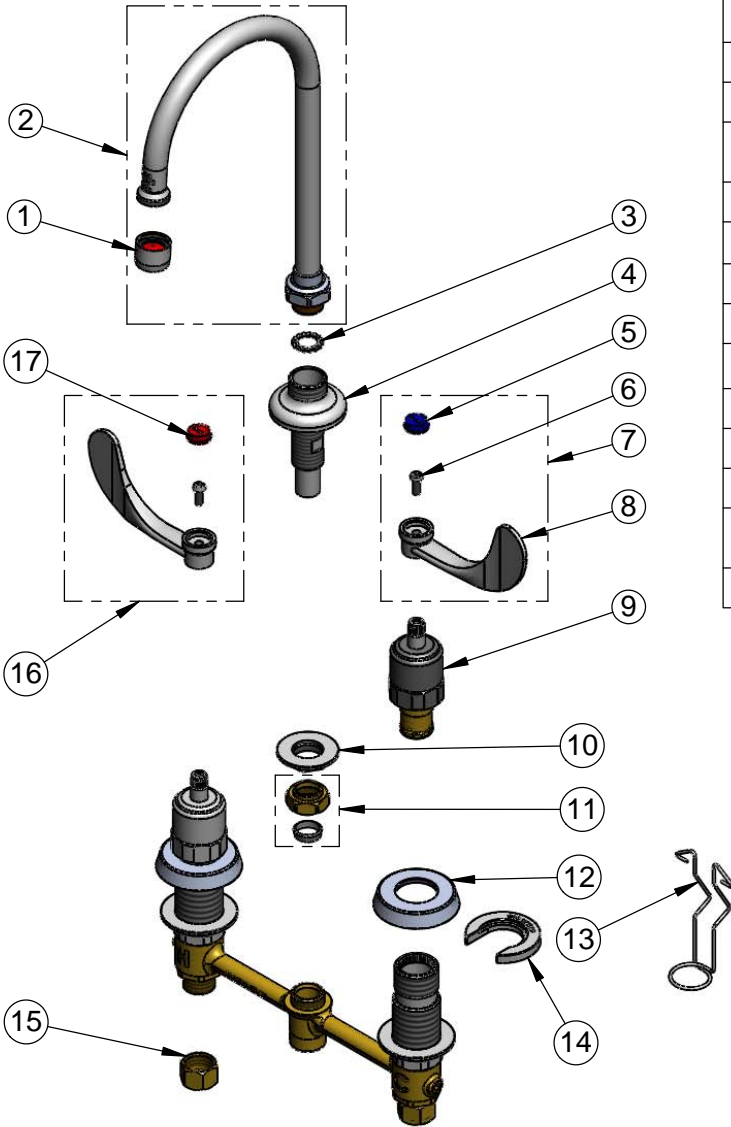
Model No.

B-2866-05-WA

Item No.

Travelers Rest, SC: 800-476-4103 • Simi Valley, CA: 800-423-0150 • Fax: 864-834-3518 • www.tsbrass.com

ITEM NO.	SALES NO.	DESCRIPTION
1	B-0199-01	2.2 GPM Aerator, 55/64"-27UN Female
2	133X-AER	6" Swivel Gooseneck w/ Aerator
3	014200-45	Star Washer, Anti-Rotation
4	016754-40	EasyInstall CWS Swivel Center Shank
5	001686-45	Blue CW Index
6	000925-45	Lab Handle Screw
7	B-WH4C	4" Wrist Action Handle, Screw & Cold Index
8	B-WH4	4" Wrist Action Handle
9	012449-40	Wrist-Action Metering Cartridge
10	016742-45	Center Flange Nut
11	016745-45	Compression Nut & Fitting
12	017292-45	Metering CWS Escutcheon
13	016777-45	CWS Hanger
14	016749-45	Sidebody C-Washer
15	000958-20	Coupling Nut
16	B-WH4H	4" Wrist Action Handle, Screw & Hot Index
17	001194-45	Red HW Index



017245-40
Installation Repair Kit
Includes #10, (2) #14, #13

Product Specifications:
EasyInstall Faucet w/ 4" Wrist Action Handles, Wrist-Action Metering Cartridges, 8" Inlet Centers, & Swivel Gooseneck w/ 2.2 GPM Aerator

Drawn KJG	Checked JRM	Approved JHB
Scale: NTS		Date: 09/20/12