



**T&S BRASS AND BRONZE WORKS, INC.**  
 2 Saddleback Cove / P.O. Box 1088  
 Travelers Rest, SC 29690

Model No.  
**B-2850**

Item No.

Travelers Rest, SC: 800-476-4103 • Simi Valley, CA: 800-423-0150 • Fax: 864-834-3518 • www.tsbrass.com



**ADA Compliant**

This Space for Architect/Engineer Approval

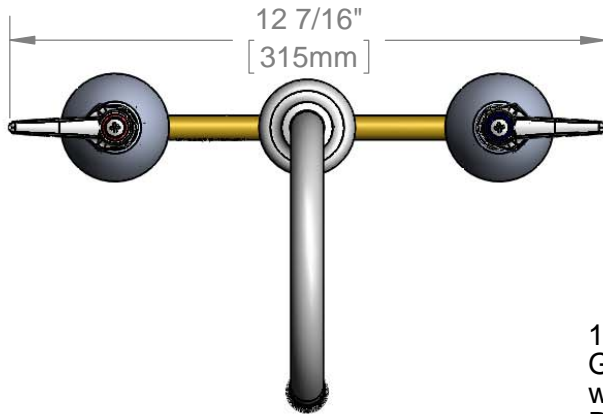
Job Name \_\_\_\_\_ Date \_\_\_\_\_

Model Specified \_\_\_\_\_ Quantity \_\_\_\_\_

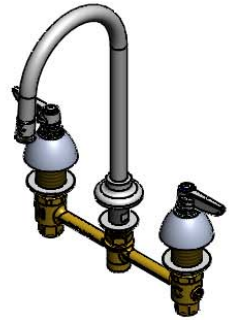
Customer/Wholesaler \_\_\_\_\_

Contractor \_\_\_\_\_

Architect/Engineer \_\_\_\_\_



120X Rigid  
Gooseneck  
w/ Stream  
Regulator Outlet



Ø2"  
Rigid Deck  
Flange

Eterna Cartridges &  
Lever Handles w/  
Color Coded Indexes

5 11/16"  
[144mm]

5 1/2"  
[140mm]

10 11/16"  
[271mm]

2 9/16"  
[64mm]

Mounting  
Surface

1 1/4"  
[32mm]  
Maximum  
Thickness

1/2" NPSM  
Male Inlets w/  
Coupling Nuts

8"  
[203mm]

Ø2 1/4"  
[57mm]  
Escutcheons

**Rough-In Requirement:**  
 Center Shank: Ø1" [25mm] Mounting Hole  
 Hot/Cold Side: Ø1 1/2" [38mm] Mounting Holes

**Product Specifications:**  
 8" Deck Mount EasyInstall Mixing Faucet, Eterna Cartridges, Lever Handles,  
 Rigid Gooseneck, Stream Regulator Outlet & 1/2" NPSM Male Inlets

**Product Compliance:**  
 ASME A112.18.1 / CSA B125.1  
 NSF 61 - Section 9  
 NSF 372 (Low Lead Content)  
 ANSI A117.1 (ADA)

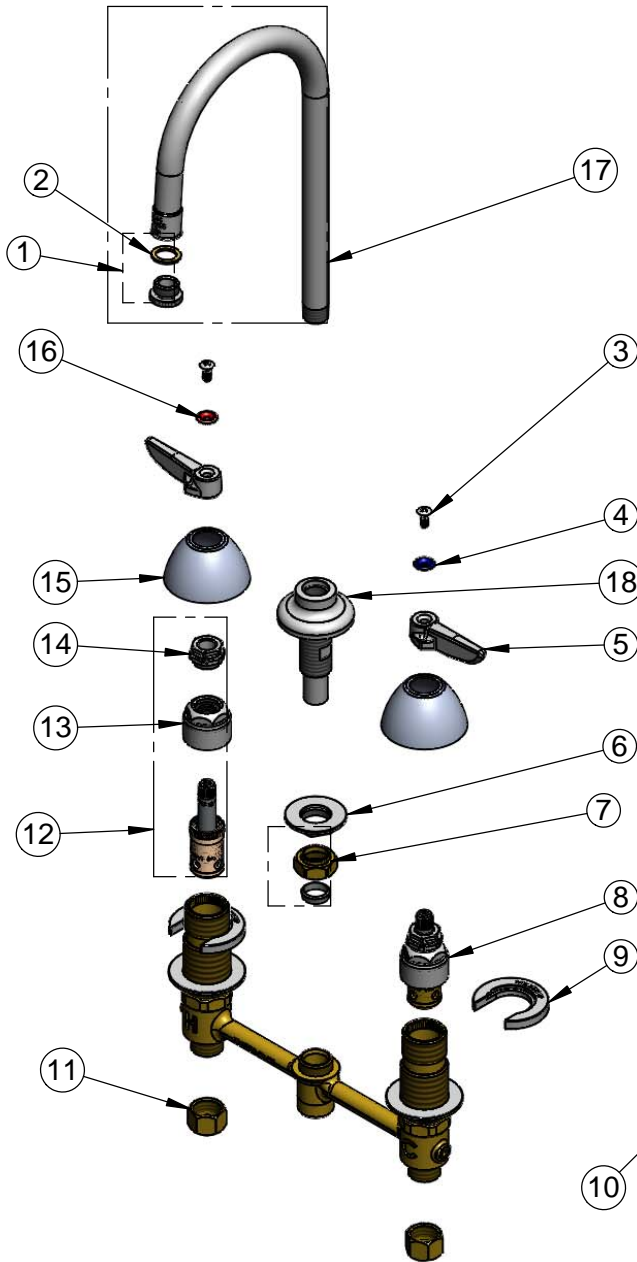


**T&S BRASS AND BRONZE WORKS, INC.**  
 2 Saddleback Cove / P.O. Box 1088  
 Travelers Rest, SC 29690

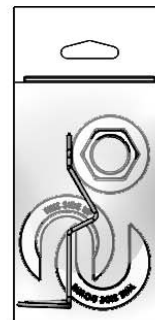
Model No.  
**B-2850**

Item No.

Travelers Rest, SC: 800-476-4103 • Simi Valley, CA: 800-423-0150 • Fax: 864-834-3518 • www.tsbrass.com



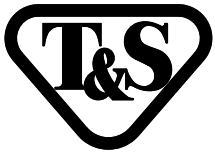
ITEM NO.	SALES NO.	DESCRIPTION
1	B-LT	Stream Regulator Outlet
2	001043-45	Washer
3	000922-45	Lever Handle Screw
4	001660-45	Blue Index-CW
5	001638-45	Lever Handle
6	016742-45	Center Flange Nut
7	016745-45	Compression Nut & Fitting
8	016752-40	EasyInstall CWS LTC Eterna (Teflon)
9	016749-45	Sidebody C-Washer
10	016777-45	CWS Hanger
11	000958-20	Coupling Nut
12	016753-40	EasyInstall CWS RTC Eterna (Teflon)
13	016743-25	CWS Eterna Bonnet
14	009002-25	Packing Nut
15	001257-40	Bell Escutcheon
16	001661-45	Red Index-HW
17	120X	Rigid Gooseneck
18	016847-40	EasyInstall CWS Rigid Center Shank



017245-40  
 Installation Repair Kit  
 Includes #6, (2)#9, & #10

Product Specifications:  
 8" Deck Mount EasyInstall Mixing Faucet, Eterna Cartridges, Lever Handles, Rigid Gooseneck, Stream Regulator Outlet & 1/2" NPSM Male Inlets

Product Compliance:  
 ASME A112.18.1 / CSA B125.1  
 NSF 61 - Section 9  
 NSF 372 (Low Lead Content)  
 ANSI A117.1 (ADA)



# T&S BRASS AND BRONZE WORKS, INC.

2 Saddleback Cove / P.O. Box 1088  
Travelers Rest, SC 29690

Model No.

**B-2850-01**

Item No.

Travelers Rest, SC: 800-476-4103 • Simi Valley, CA: 800-423-0150 • Fax: 864-834-3518 • www.tsbrass.com

This Space for Architect/Engineer Approval

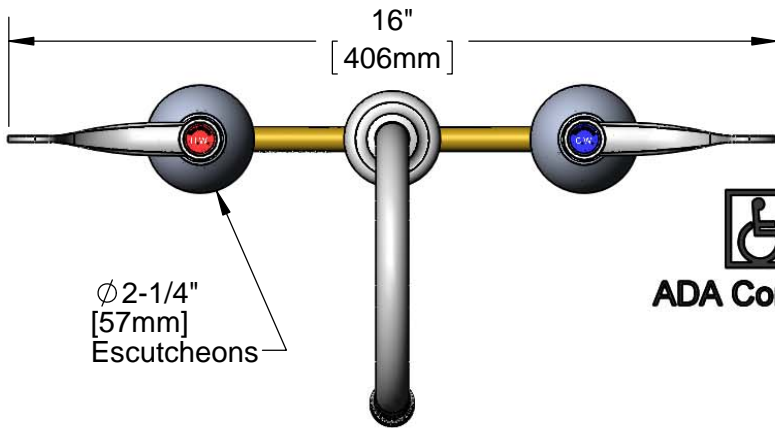
Job Name \_\_\_\_\_ Date \_\_\_\_\_

Model Specified \_\_\_\_\_ Quantity \_\_\_\_\_

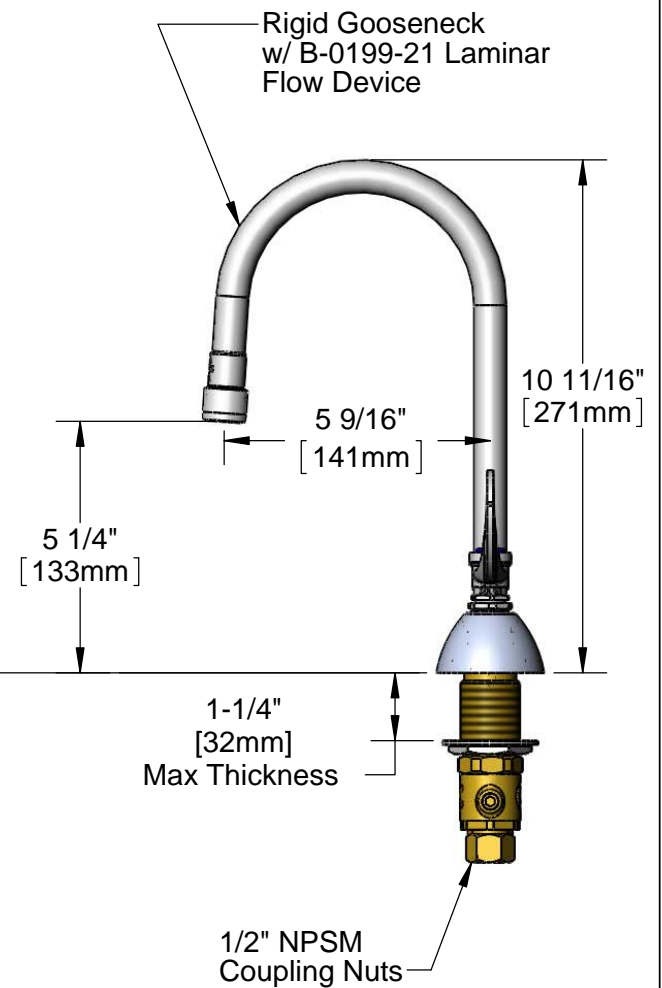
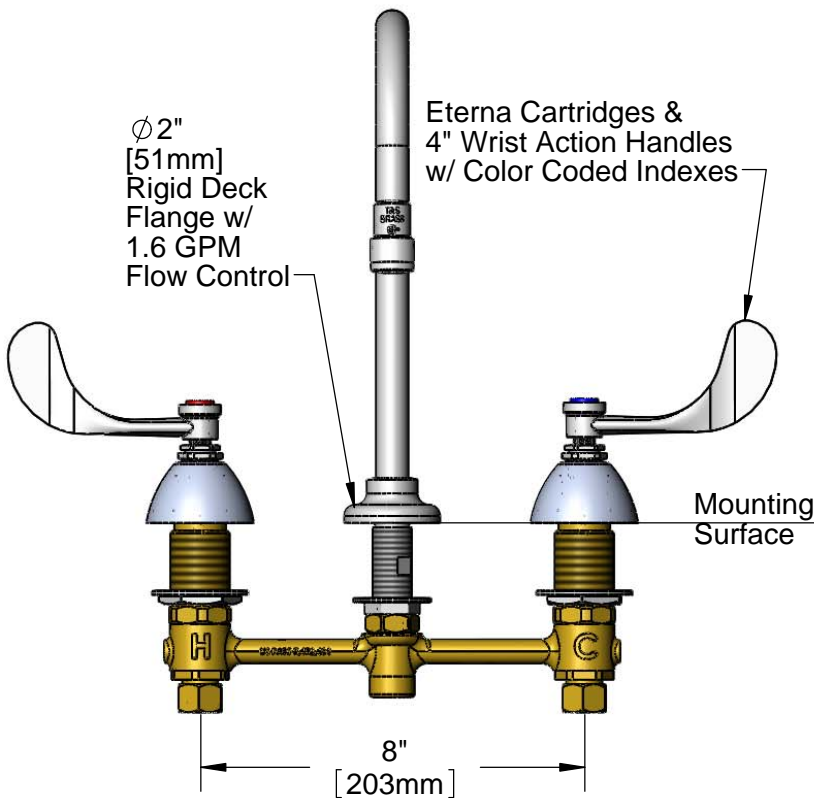
Customer/Wholesaler \_\_\_\_\_

Contractor \_\_\_\_\_

Architect/Engineer \_\_\_\_\_



**ADA Compliant**



**Rough-In Requirement:**

Ø 1" [25mm] for Center Shank

Ø 1-1/2" [38mm] for Hot/Cold Side

**Product Specifications:**

EasyInstall Faucet w/ 1.6 GPM Flow Control, 4" Wrist Action Handles, Eterna Cartridges, 8" Inlet Centers & Rigid Gooseneck w/ Laminar Flow Device

Drawn

**JRM**

Checked

**DMH**

Approved

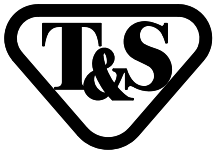
**JHB**

Scale:

**1:4**

Date:

**06/21/12**



# T&S BRASS AND BRONZE WORKS, INC.

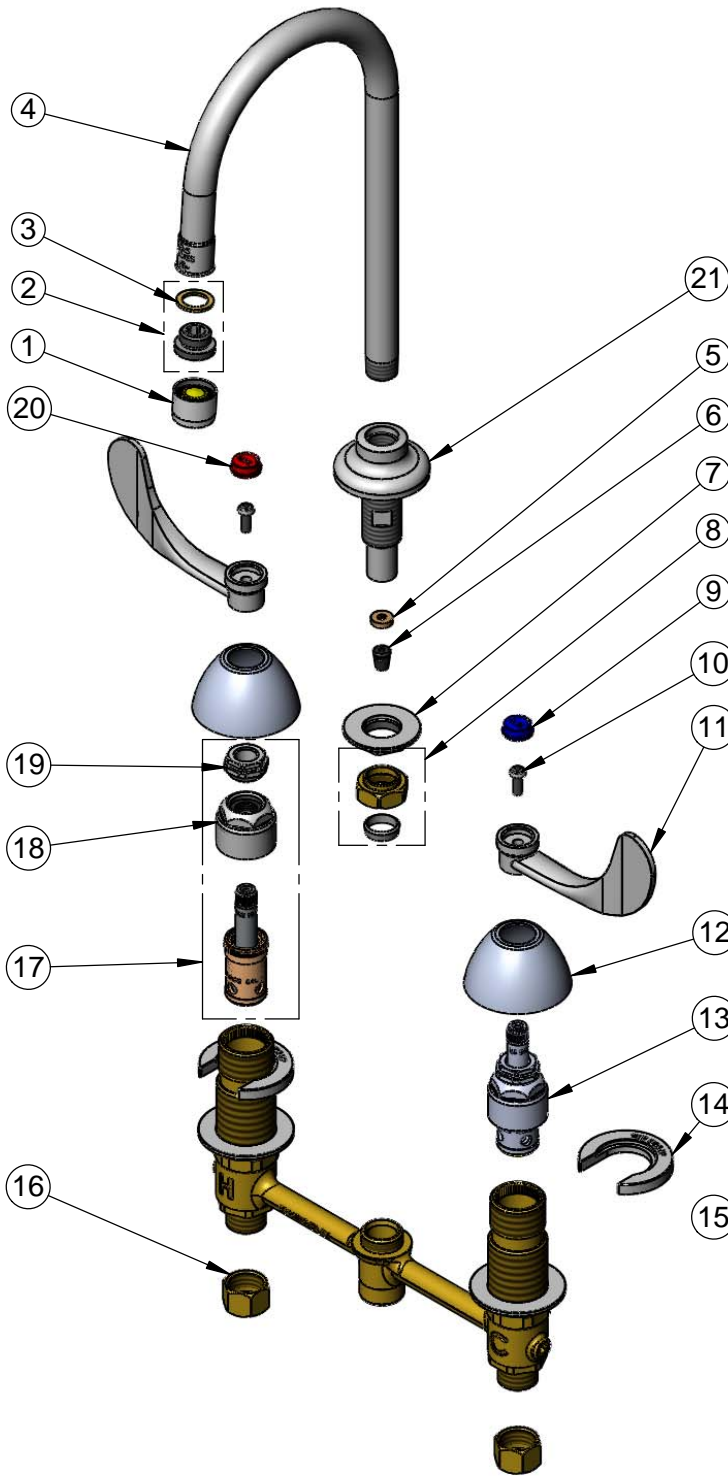
2 Saddleback Cove / P.O. Box 1088  
Travelers Rest, SC 29690

Model No.

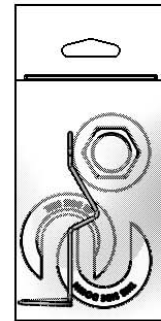
**B-2850-01**

Item No.

Travelers Rest, SC: 800-476-4103 • Simi Valley, CA: 800-423-0150 • Fax: 864-834-3518 • www.tsbrass.com



ITEM NO.	SALES NO.	DESCRIPTION
1	B-0199-21	2.2 GPM Laminar Device
2	044A	3/8" to Aerator Adapter
3	001043-45	Washer
4	000398-40	Rigid Gooseneck
5	009069-45	Flow Control Holder
6	016232-45	Flow Tower, 1.6 GPM
7	016742-45	Center Flange Nut
8	016745-45	Compression Nut & Fitting
9	001686-45	Blue CW Index
10	000925-45	Lab Handle Screw
11	B-WH4	4" Wrist Action Handle
12	001257-40	Bell Escutcheon
13	016752-40	EasyInstall CWS LTC Eterna (Teflon)
14	016749-45	Sidebody C-Washer
15	016777-45	CWS Hanger
16	000958-20	Coupling Nut
17	016753-40	EasyInstall CWS RTC Eterna (Teflon)
18	016743-25	CWS Bonnet Assembly
19	009002-25	Packing Nut Assembly
20	001194-45	Red HW Index
21	016847-40	EasyInstall CWS Rigid Center Shank



017245-40  
Installation Repair Kit  
Includes #7, (2)#14, & #15

**Product Specifications:**

EasyInstall Faucet w/ 1.6 GPM Flow Control, 4" Wrist Action Handles, Eterna Cartridges, 8" Inlet Centers & Rigid Gooseneck w/ Laminar Flow Device

Drawn <b>JRM</b>	Checked <b>DMH</b>	Approved <b>JHB</b>
Scale: <b>NTS</b>		Date: <b>06/21/12</b>



# T&S BRASS AND BRONZE WORKS, INC.

2 Saddleback Cove / P.O. Box 1088  
Travelers Rest, SC 29690

Model No.

**B-2850-F05**

Item No.

Travelers Rest, SC: 800-476-4103 • Simi Valley, CA: 800-423-0150 • Fax: 864-834-3518 • www.tsbrass.com

This Space for Architect/Engineer Approval

Job Name \_\_\_\_\_ Date \_\_\_\_\_

Model Specified \_\_\_\_\_ Quantity \_\_\_\_\_

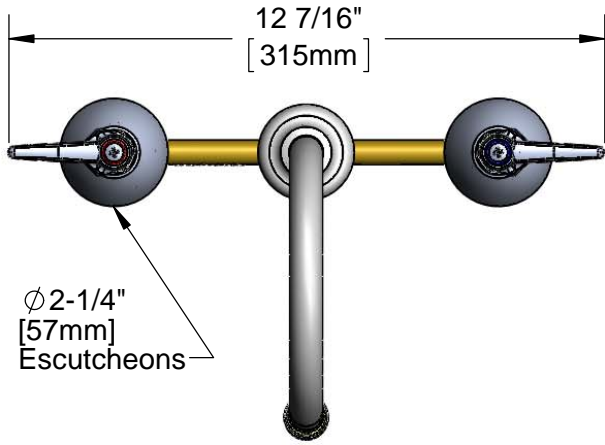
Customer/Wholesaler \_\_\_\_\_

Contractor \_\_\_\_\_

Architect/Engineer \_\_\_\_\_

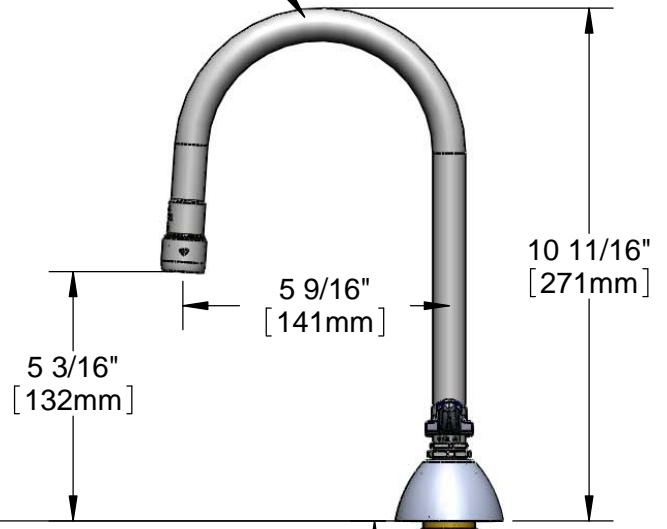


**ADA Compliant**



Ø 2-1/4"  
[57mm]  
Escutcheons

Rigid Gooseneck  
w/ 0.5 GPM Non-Aerated  
Spray Device



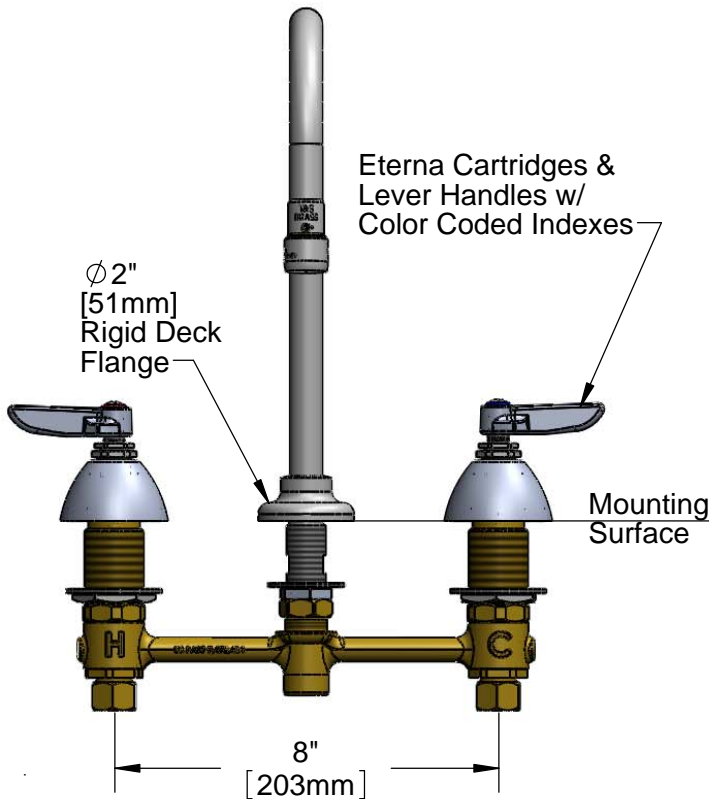
Eterna Cartridges &  
Lever Handles w/  
Color Coded Indexes

Ø 2"  
[51mm]  
Rigid Deck  
Flange

Mounting  
Surface

1-1/4"  
[32mm]  
Max Thickness

1/2" NPSM  
Coupling Nuts



**Rough-In Requirement:**

Ø 1" [25mm] for Center Shank

Ø 1-1/2" [38mm] for Hot/Cold Side

**Product Specifications:**

EasyInstall Faucet w/ Lever Handles, Eterna Cartridges, 8" Inlet Centers, Rigid Gooseneck w/ 0.5 GPM Non-Aerated Spray Device

Drawn

JRM

Checked

DMH

Approved

JHB

Scale:

1:4

Date:

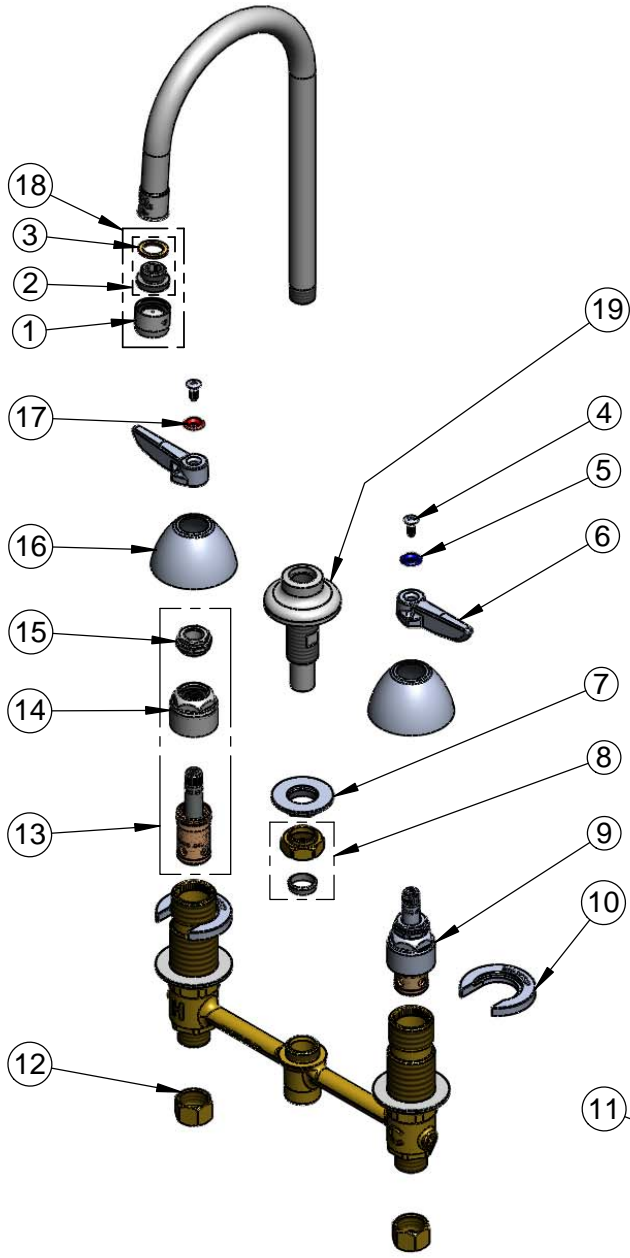
06/21/12



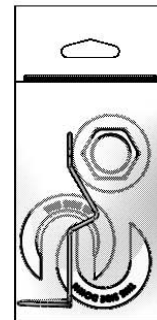
**T&S BRASS AND BRONZE WORKS, INC.**  
 2 Saddleback Cove / P.O. Box 1088  
 Travelers Rest, SC 29690

Model No.  
**B-2850-F05**  
 Item No.

Travelers Rest, SC: 800-476-4103 • Simi Valley, CA: 800-423-0150 • Fax: 864-834-3518 • www.tsbrass.com



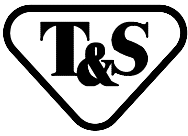
ITEM NO.	SALES NO.	DESCRIPTION
1	B-0199-01-N05	0.5 GPM Spray Device, 55/64-27 Female
2	044A	3/8" to Aerator Adapter
3	001043-45	Washer
4	000922-45	Lever Handle Screw
5	001660-45	Blue Index-CW
6	001638-45	Lever Handle
7	016742-45	Center Flange Nut
8	016745-45	Compression Nut & Fitting
9	016752-40	EasyInstall CWS LTC Eterna (Teflon)
10	016749-45	Sidebody C-Washer
11	016777-45	CWS Hanger
12	000958-20	Coupling Nut
13	016753-40	EasyInstall CWS RTC Eterna (Teflon)
14	016743-25	CWS Bonnet Assembly
15	009002-25	Packing Nut Assembly
16	001257-40	Bell Escutcheon
17	001661-45	Red Index-HW
18	B-0199-02-N05	0.5 GPM Spray Device Asm., 3/8" NPSM
19	016847-40	EasyInstall CWS Rigid Center Shank



017245-40  
 Installation Repair Kit  
 Includes #7, (2)#10, & #11

Product Specifications:  
 EasyInstall Faucet w/ Lever Handles, Eterna Cartridges, 8" Inlet Centers, Rigid Gooseneck w/ 0.5 GPM Non-Aerated Spray Device

Drawn <b>JRM</b>	Checked <b>DMH</b>	Approved <b>JHB</b>
Scale: <b>NTS</b>		Date: <b>06/21/12</b>



**T&S BRASS AND BRONZE WORKS, INC.**

2 SADDLEBACK COVE / P.O. BOX 1088 / TRAVELERS REST, SC 29690

PHONE 800-476-4103

FAX 803- 834-3518



REG.#A2601  
ISO #9002

Model No.

B-2850-L

Item No.:

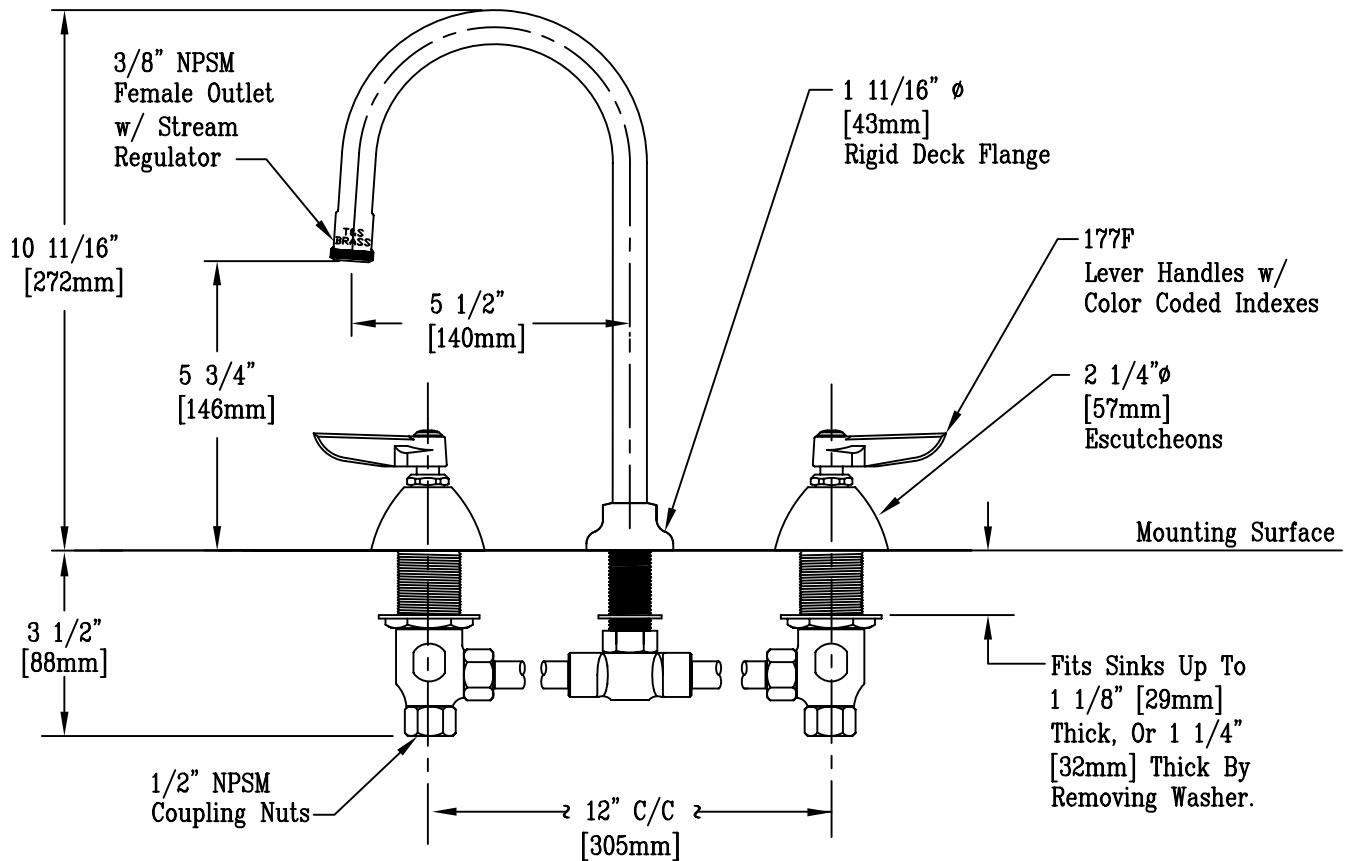
Job Name:

Architect/Engineer Approval:

Notes:



ADA Compliant



Note: Rough-in Required:  
 $\phi 7/8$  for Center Shank  
 $\phi 1 1/4$  for Hot/Cold Side Bodies

Product Description:

12" c/c Deck Mounted Commercial Faucet  
 w/ 120X Rigid Gooseneck & Stream Regulator,  
 Lever Handles & 1/2" NPSM Coupling Nuts

Drawn:

BHR

Approved

JHB

Checked

JRM

Scale:

1 : 4

Date:

8/17/07