



T&S BRASS AND BRONZE WORKS, INC.
 2 Saddleback Cove / P.O. Box 1088
 Travelers Rest, SC 29690

Model No.
B-2800-WA-KIT

Item No.

Travelers Rest, SC: 800-476-4103 • Simi Valley, CA: 800-423-0150 • Fax: 864-834-3518 • www.tsbrass.com

This Space for Architect/Engineer Approval

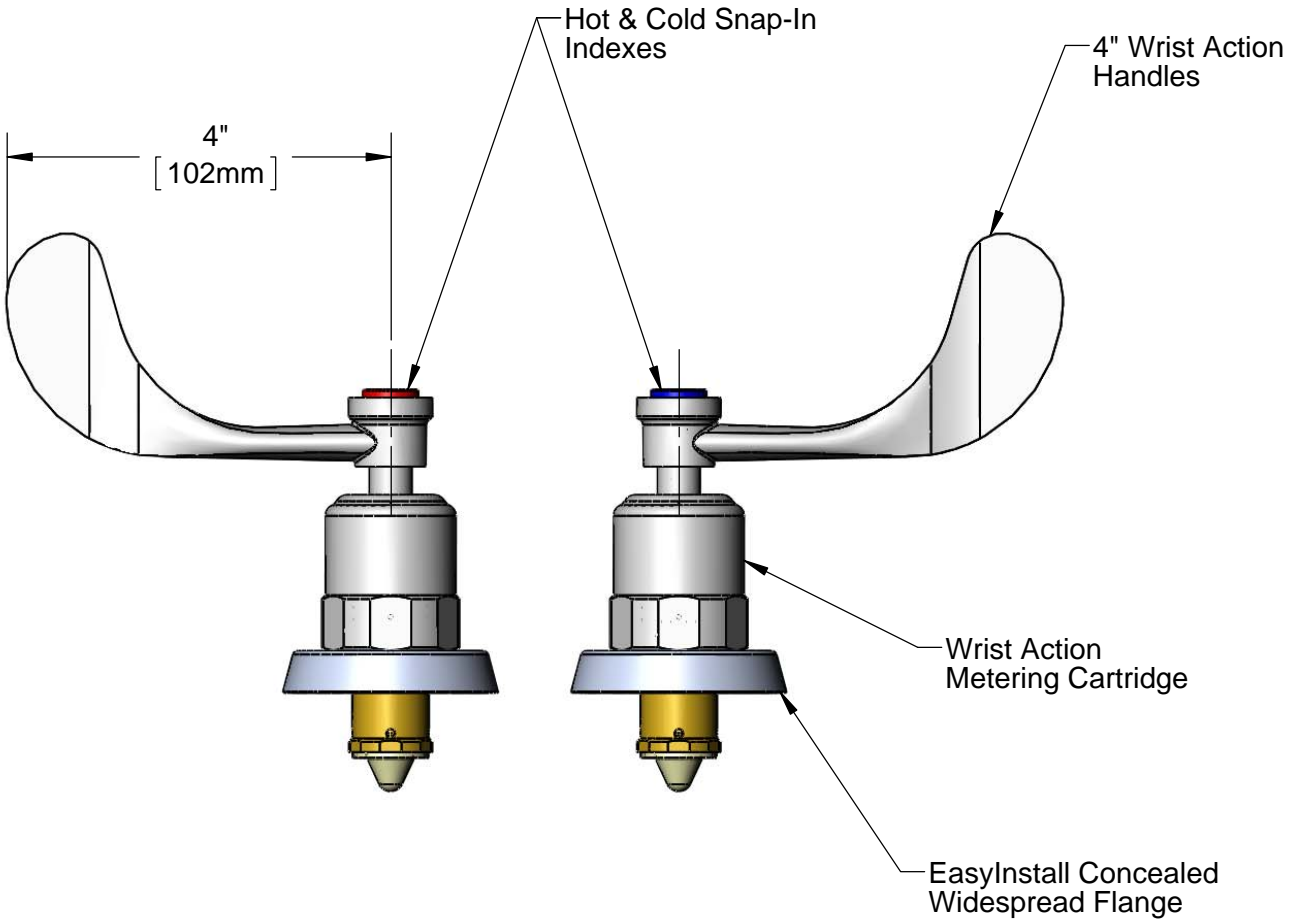
Job Name _____ Date _____

Model Specified _____ Quantity _____

Customer/Wholesaler _____

Contractor _____

Architect/Engineer _____



Product Specifications:
 Wrist Action Metering Cartridges w/ EasyInstall Concealed Widespread Flanges, 4" Wrist Action Handles w/ Screws and Snap-In Indexes

Drawn JRM	Checked KJG	Approved JHB
Scale: 1:4		Date: 10/25/12



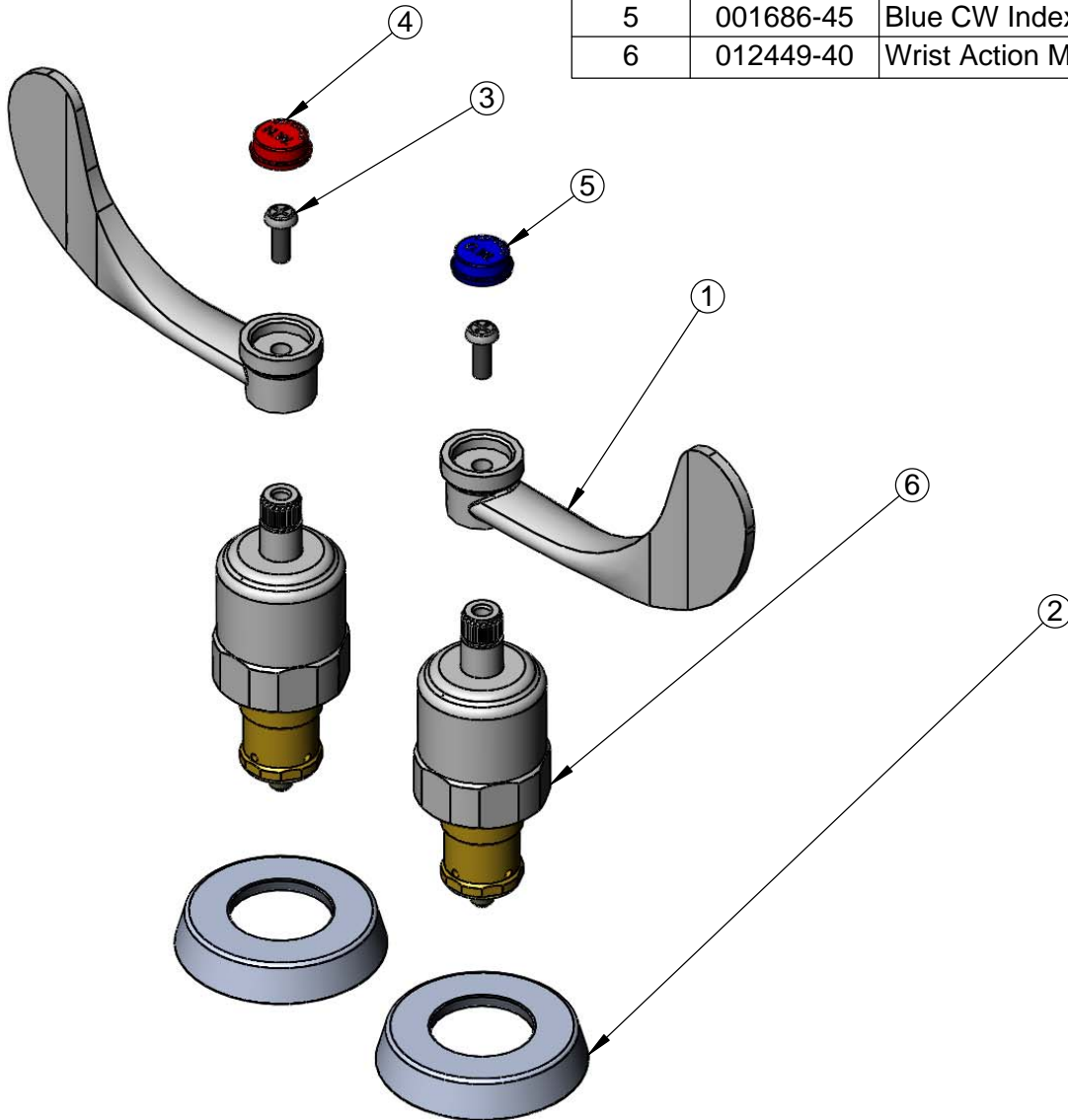
T&S BRASS AND BRONZE WORKS, INC.
 2 Saddleback Cove / P.O. Box 1088
 Travelers Rest, SC 29690

Model No.
B-2800-WA-KIT

Item No.

Travelers Rest, SC: 800-476-4103 • Simi Valley, CA: 800-423-0150 • Fax: 864-834-3518 • www.tsbrass.com

ITEM NO.	SALES NO.	DESCRIPTION
1	B-WH4	4" Wrist Action Handle
2	017292-45	Metering CWS Escutcheon
3	000925-45	Lab Handle Screw
4	001194-45	Red HW Index
5	001686-45	Blue CW Index
6	012449-40	Wrist Action Metering Cartridge Asm



Product Specifications:
 Wrist Action Metering Cartridges w/ EasyInstall Concealed
 Widespread Flanges, 4" Wrist Action Handles
 w/ Screws and Snap-In Indexes

Drawn JRM	Checked KJG	Approved JHB
Scale: NTS		Date: 10/25/12