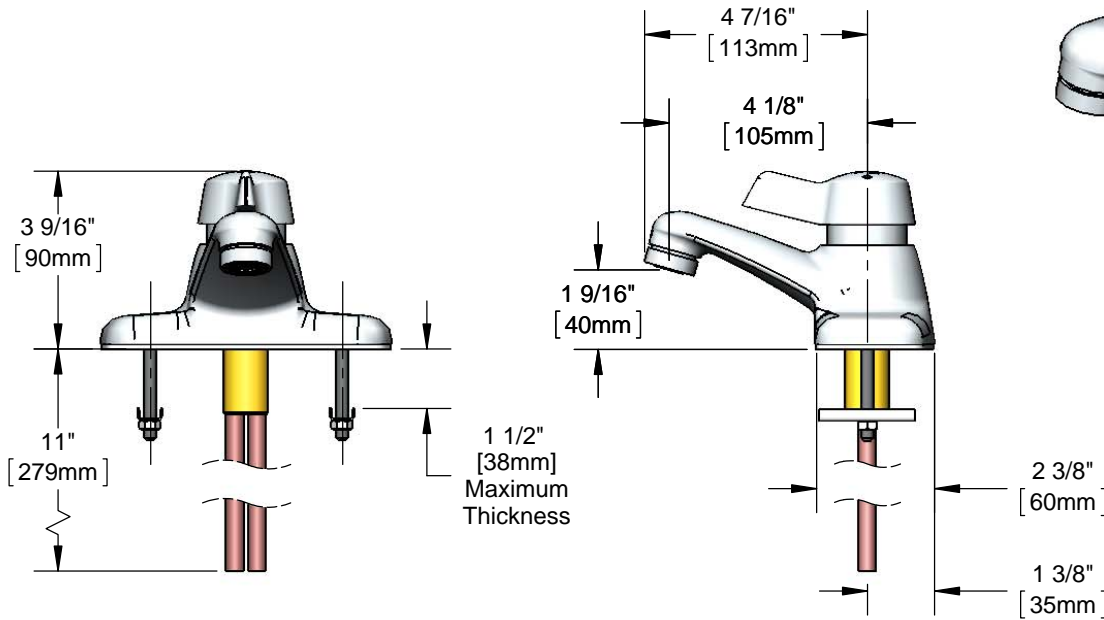
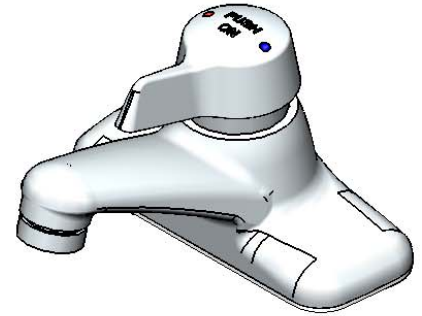




Architect/Engineering Specifications:

4" centerset deck mount faucet with polished chrome plated brass cast body, 0.5 GPM vandal resistant aerator, temperature adjusting push button metering cartridge, blade type handle with vandal resistant screw and (2) 3/8" O.D. copper inlet tubes. Certified to ASME A112.18.1/CSA B125.1, NSF 61-Section 9 and NSF 372. Meets ADA ANSI/ICC A117.1 requirements.

Job Name _____
 Model Specified _____ Quantity _____
 Variations Specified _____
 Date _____



Features & Benefits:

- 4" centerset deck mount lavatory faucet with polished chrome plated brass cast body
- 0.5 GPM vandal resistant aerator
- Inlet check valves & filter screens.
- Slow self-closing, temperature adjusting push button metering cartridge
- Temperature adjusted by pushing blade handle left for hot, right for cold
- Adjustable timed flow, remains open for 10 seconds minimum
- Blade type handle w/ vandal resistant screw
- (2) 3/8" O.D. copper inlet tubes
- Material: polished chrome plated brass cast body, chrome plated metal handle

Product Compliance:

- ASME A112.18.1 / CSA B125.1
- NSF 61 - Section 9
- NSF 372 (Low Lead Content)
- ANSI A117.1 (ADA)

Warranty: One Year (Limited)

Performance Data:

- Pressure: 20 - 125 psi
- Temperature: 40°F - 140°F
- Flow Rate: 0.25 Gallons Per Cycle (1.0L/Cycle)



ADA Compliant

