



**T&S BRASS AND BRONZE WORKS, INC.**  
 2 Saddleback Cove / P.O. Box 1088  
 Travelers Rest, SC 29690

Model No.  
**B-2742**

Item No.

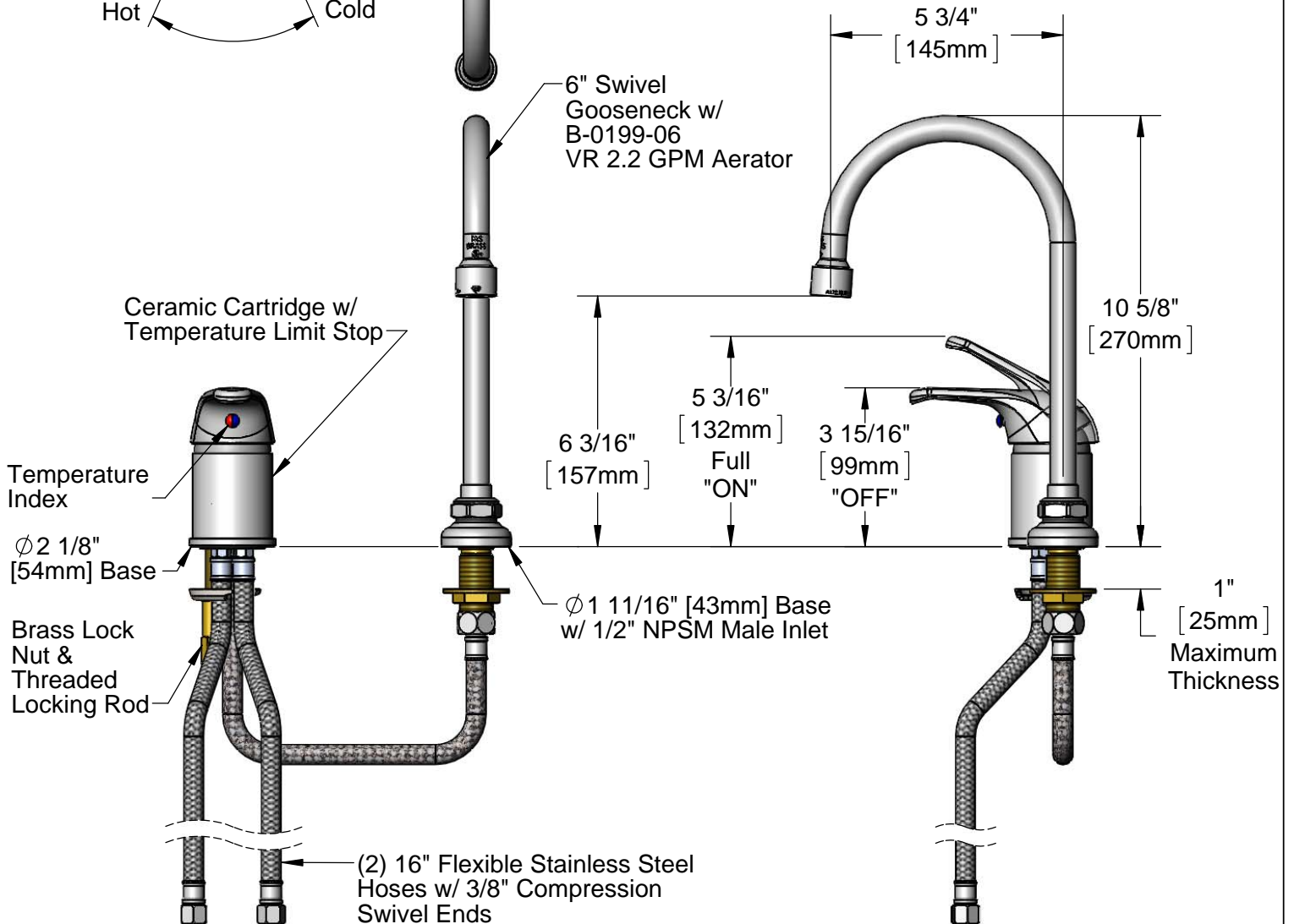
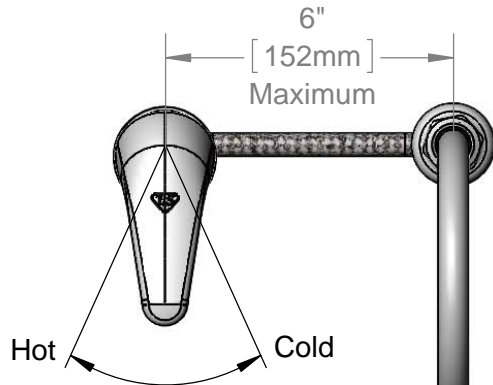
Travelers Rest, SC: 800-476-4103 • Simi Valley, CA: 800-423-0150 • Fax: 864-834-3518 • www.tsbrass.com



**ADA Compliant**

This Space for Architect/Engineer Approval

Job Name \_\_\_\_\_ Date \_\_\_\_\_  
 Model Specified \_\_\_\_\_ Quantity \_\_\_\_\_  
 Customer/Wholesaler \_\_\_\_\_  
 Contractor \_\_\_\_\_  
 Architect/Engineer \_\_\_\_\_



**Rough-in Requirements:**  
 Swivel Deck Flange: Ø 1" [25mm] Hole  
 Sidemount: Ø 1 1/2" [38mm] Hole

**Product Specifications:**  
 Single Lever Side Mount Remote On/Off Control Base Faucet, Ceramic Cartridge, Swivel Gooseneck, Vandal Resistant 2.2 GPM Aerator & (2) 16" Flexible Stainless Steel Supply Hoses

**Product Compliance:**  
 ASME A112.18.1 / CSA B125.1  
 NSF 61 - Section 9  
 NSF 372 (Low Lead Content)  
 ANSI A117.1 (ADA)

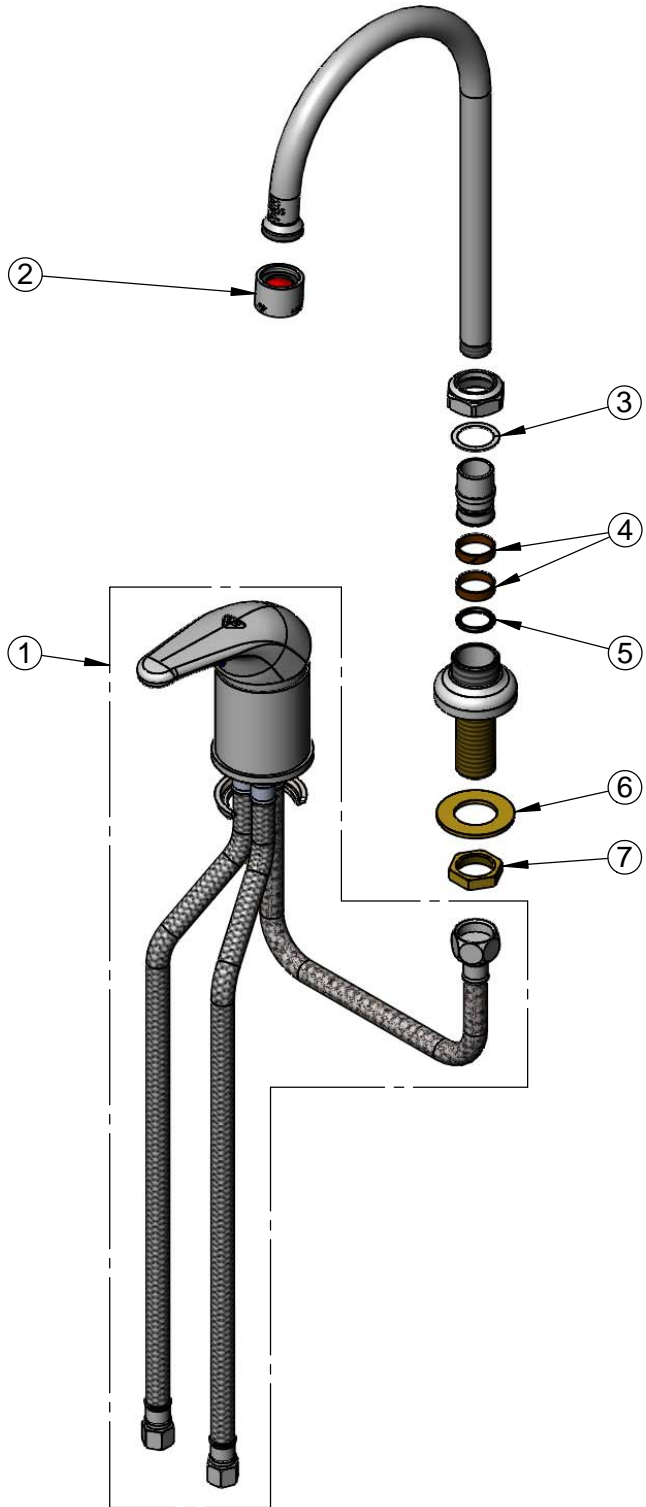


**T&S BRASS AND BRONZE WORKS, INC.**  
 2 Saddleback Cove / P.O. Box 1088  
 Travelers Rest, SC 29690

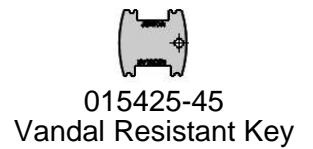
Model No.  
**B-2742**

Item No.

Travelers Rest, SC: 800-476-4103 • Simi Valley, CA: 800-423-0150 • Fax: 864-834-3518 • www.tsbrass.com



ITEM NO.	SALES NO.	DESCRIPTION
1	B-2740	Side Mount Single Lever Control Faucet
2	B-0199-06	VR 2.2 GPM Aerator, 55/64-27 UN Female w/ Key
3	009538-45	Swivel Washer
4	011429-45	Swivel Sleeves (2)
5	001074-45	O-Ring
6	000999-45	Brass Lock Washer
7	002954-45	Shank Lock Nut



Product Specifications:  
 Single Lever Side Mount Remote On/Off Control Base Faucet, Ceramic Cartridge, Swivel Gooseneck, Vandal Resistant 2.2 GPM Aerator & (2) 16" Flexible Stainless Steel Supply Hoses

Product Compliance:  
 ASME A112.18.1 / CSA B125.1  
 NSF 61 - Section 9  
 NSF 372 (Low Lead Content)  
 ANSI A117.1 (ADA)



**T&S BRASS AND BRONZE WORKS, INC.**

2 Saddleback Cove / P.O. Box 1088  
Travelers Rest, SC 29690

Model No.

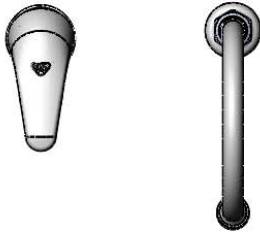
**BA-2742**

Item No.

Travelers Rest, SC: 800-476-4103 • Simi Valley, CA: 800-423-0150 • Fax: 864-834-3518 • www.tsbrass.com



**ADA Compliant**



This Space for Architect/Engineer Approval

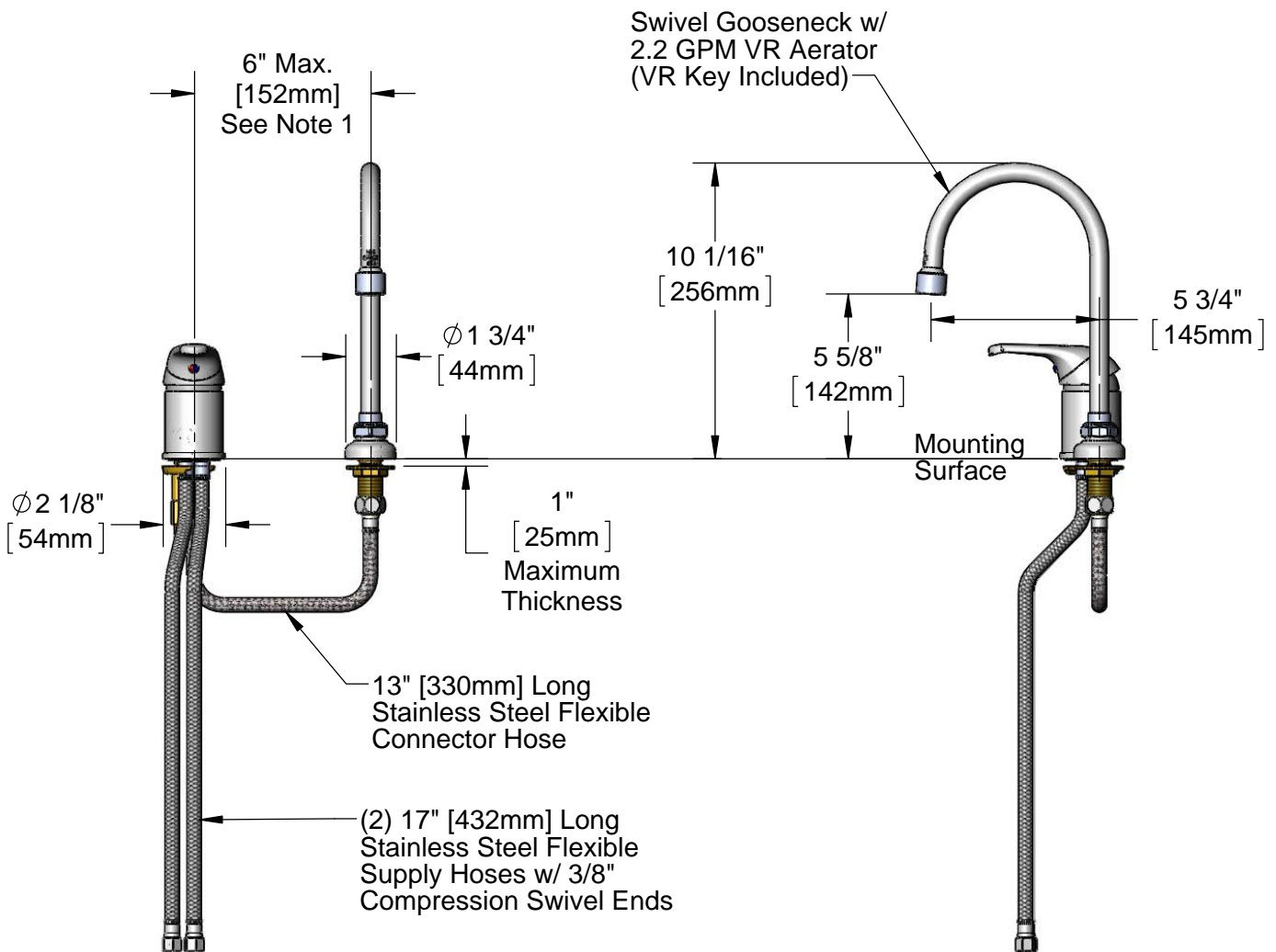
Job Name \_\_\_\_\_ Date \_\_\_\_\_

Model Specified \_\_\_\_\_ Quantity \_\_\_\_\_

Customer/Wholesaler \_\_\_\_\_

Contractor \_\_\_\_\_

Architect/Engineer \_\_\_\_\_



**Rough-in Requirements:**

- Ø 1 1/2" [38mm] Hole for Sidemount
- Ø 1" [25mm] Hole for Gooseneck Shank

**Notes:**

1. 13" Flex Hose May Kink if 6" Max. is Exceeded.

**Product Specifications:**

Side Mount Faucet, Remote Control Base w/ Ceramic Cartridge,  
Flexible Stainless Steel Water Connectors & Swivel Gooseneck w/  
Vandal Resistant 2.2 GPM Aerator

Drawn

**DMH**

Checked

**JRM**

Approved

**JHB**

Scale:

**1:6**

Date:

**08/15/12**



# T&S BRASS AND BRONZE WORKS, INC.

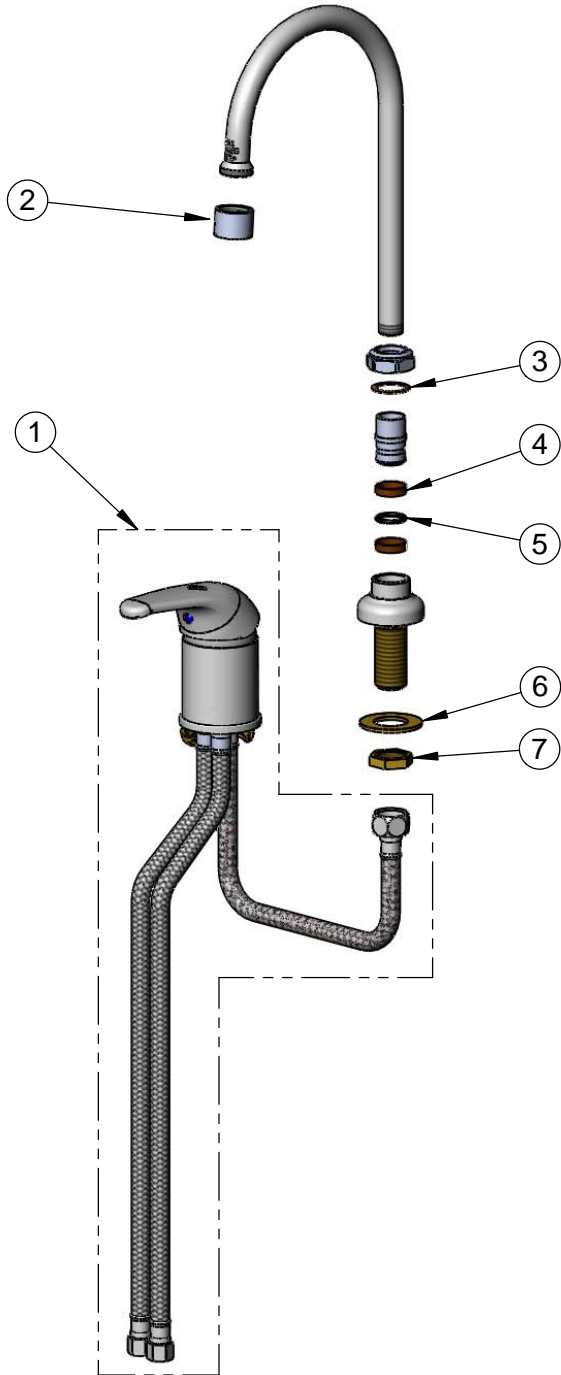
2 Saddleback Cove / P.O. Box 1088  
Travelers Rest, SC 29690

Model No.

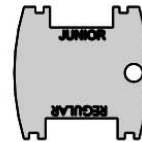
**BA-2742**

Item No.

Travelers Rest, SC: 800-476-4103 • Simi Valley, CA: 800-423-0150 • Fax: 864-834-3518 • www.tsbrass.com



ITEM NO.	SALES NO.	DESCRIPTION
1	B-2740	Side Mount Base Faucet
2	B-0199-06	VR Aerator w/ Key
3	009538-45	Swivel Washer
4	011429-45	Swivel Sleeves (2)
5	001074-45	O-Ring
6	000999-45	Brass Lock Washer
7	002954-45	Shank Lock Nut



015425-45  
Vandal Resistant Key

**Product Specifications:**

Side Mount Faucet, Remote Control Base w/ Ceramic Cartridge,  
Flexible Stainless Steel Water Connectors & Swivel Gooseneck w/  
Vandal Resistant 2.2 GPM Aerator

Drawn

**DMH**

Checked

**JRM**

Approved

**JHB**

Scale:

**NTS**

Date:

**08/15/12**



# T&S BRASS AND BRONZE WORKS, INC.

2 Saddleback Cove / P.O. Box 1088  
Travelers Rest, SC 29690

Model No.

**B-2742-A22**

Item No.

Travelers Rest, SC: 800-476-4103 • Simi Valley, CA: 800-423-0150 • Fax: 864-834-3518 • www.tsbrass.com

This Space for Architect/Engineer Approval

Job Name \_\_\_\_\_ Date \_\_\_\_\_

Model Specified \_\_\_\_\_ Quantity \_\_\_\_\_

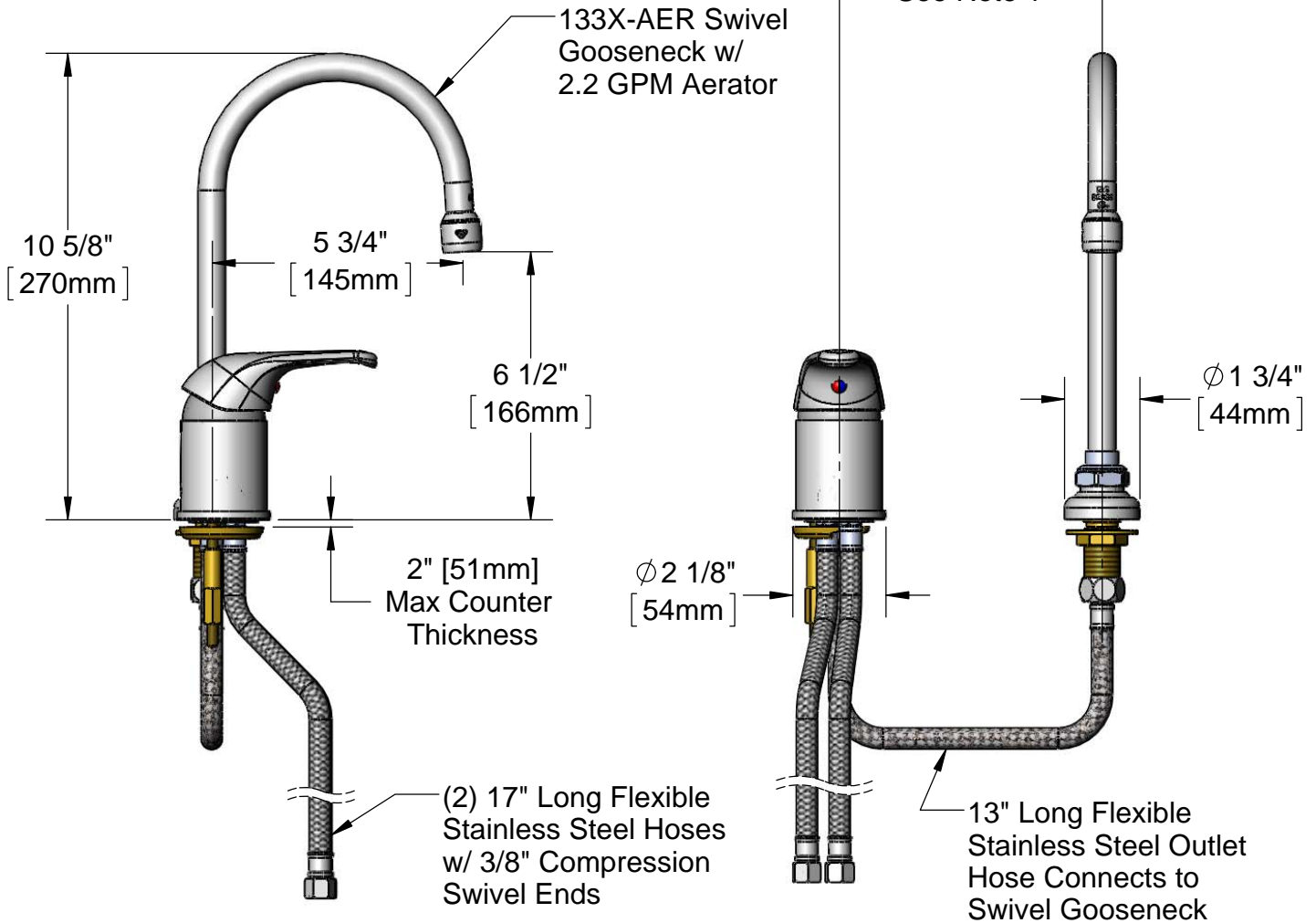
Customer/Wholesaler \_\_\_\_\_

Contractor \_\_\_\_\_

Architect/Engineer \_\_\_\_\_



**ADA Compliant**



### Rough-in Requirements:

- Ø 1 1/2" [38mm] Hole for Sidemount
- Ø 1" [25mm] Hole for Gooseneck Shank

### Notes:

- Flex hose may kink if 6" Max is exceeded.

### Product Specifications:

Side Mount Faucet, Remote Control Base w/ Flexible Stainless Steel Water Connectors w/ Ceramic Cartridge, Swivel Gooseneck & 2.2 GPM Aerator

Drawn

**DMH**

Checked

**KJG**

Approved

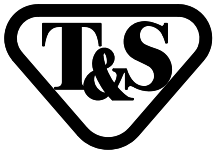
**JHB**

Scale:

**1:4**

Date:

**02/24/12**



# T&S BRASS AND BRONZE WORKS, INC.

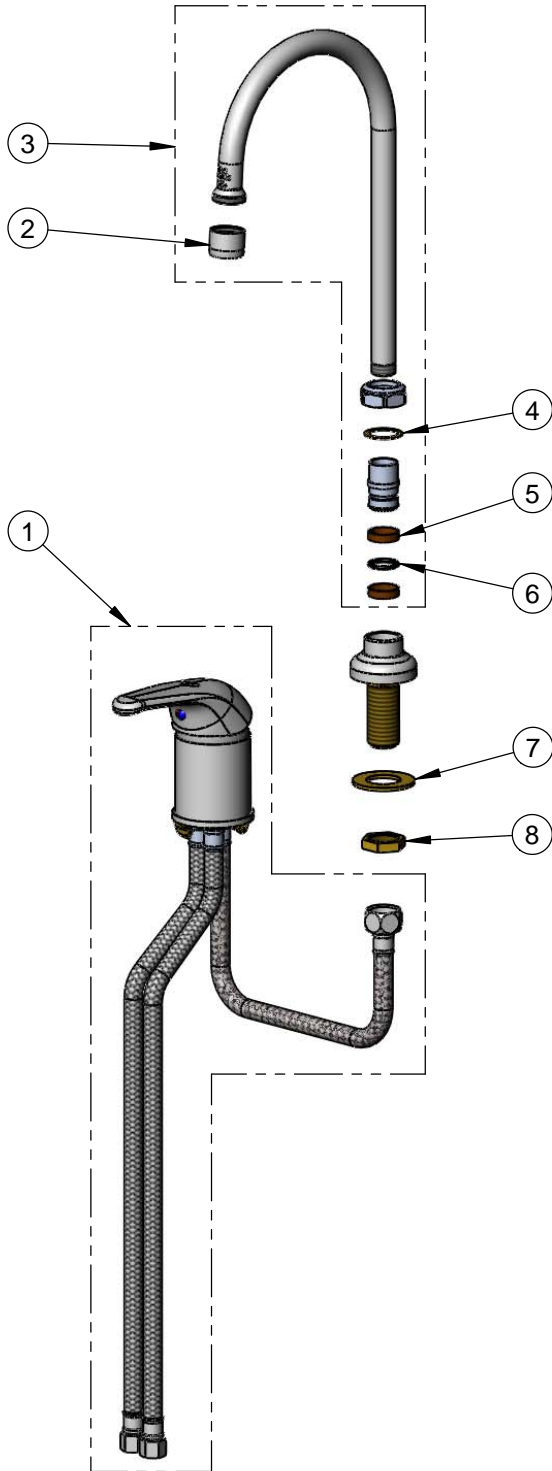
2 Saddleback Cove / P.O. Box 1088  
Travelers Rest, SC 29690

Model No.

**B-2742-A22**

Item No.

Travelers Rest, SC: 800-476-4103 • Simi Valley, CA: 800-423-0150 • Fax: 864-834-3518 • www.tsbrass.com



ITEM NO.	SALES NO.	DESCRIPTION
1	B-2740	Faucet Base, B-2740
2	B-0199-01	2.2 GPM Aerator, Female
3	133X-AER	133X Swivel Gooseneck w/ Aerator
4	009538-45	Swivel Washer
5	011429-45	Swivel Sleeves (2)
6	001074-45	O-Ring
7	000999-45	Brass Lock Washer
8	002954-45	Shank Lock Nut

**Product Specifications:**

Side Mount Faucet, Remote Control Base w/ Flexible Stainless Steel Water Connectors w/ Ceramic Cartridge, Swivel Gooseneck & 2.2 GPM Aerator

Drawn

**DMH**

Checked

**KJG**

Approved

**JHB**

Scale:

**NTS**

Date:

**02/24/12**



# T&S BRASS AND BRONZE WORKS, INC.

2 SADDLEBACK COVE / P.O. BOX 1088 / TRAVELERS REST, SC 29690

PHONE 800-476-4103

FAX 864- 834-3518

Model No.

B-2742-LF05

Item No.:

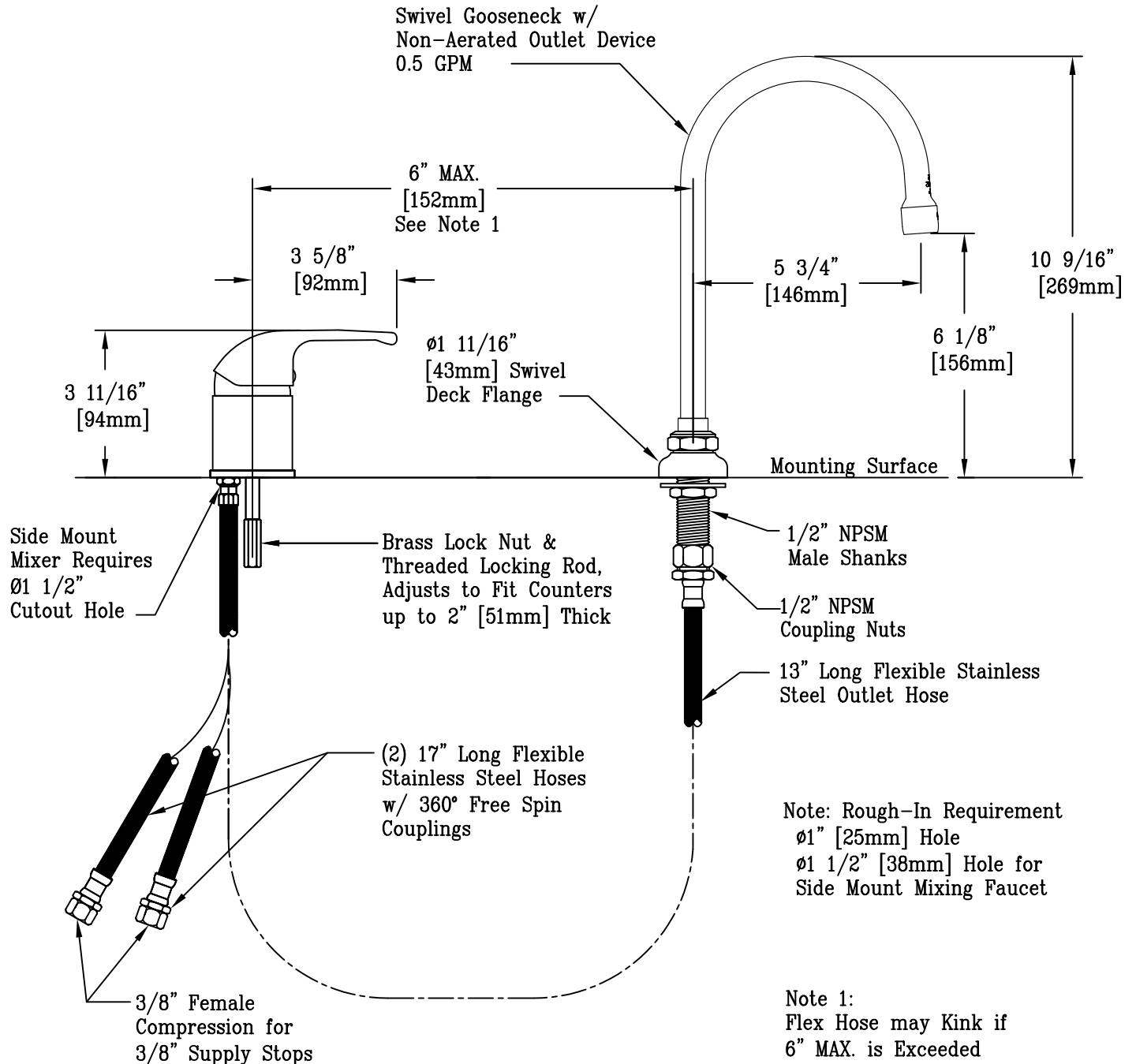
Job Name:

Architect/Engineer Approval:

Notes:



ADA Compliant



Product Description:

Side Mount Faucet: Remote Control Base w/ Flexible Stainless Steel Water Connectors, Cerama Cartridge, Swivel Gooseneck & 0.5 GPM Non-Aerated Outlet Device

Drawn:

DMH

Checked

DHL

Scale:

1:4

Approved

JHB

Date:

02/04/15



# T&S BRASS AND BRONZE WORKS, INC.

2 Saddleback Cove / P.O. Box 1088  
Travelers Rest, SC 29690



REG. #A2601  
ISO #9001

Model No.

**B-2742-LH**

Item No.

Travelers Rest, SC: 800-476-4103 Simi Valley, CA: 800-423-0150 Fax: 864-834-3518 www.tsbrass.com

This Space for Architect/Engineer Approval

Job Name \_\_\_\_\_ Date \_\_\_\_\_

Model Specified \_\_\_\_\_ Quantity \_\_\_\_\_

Customer/Wholesaler \_\_\_\_\_

Contractor \_\_\_\_\_

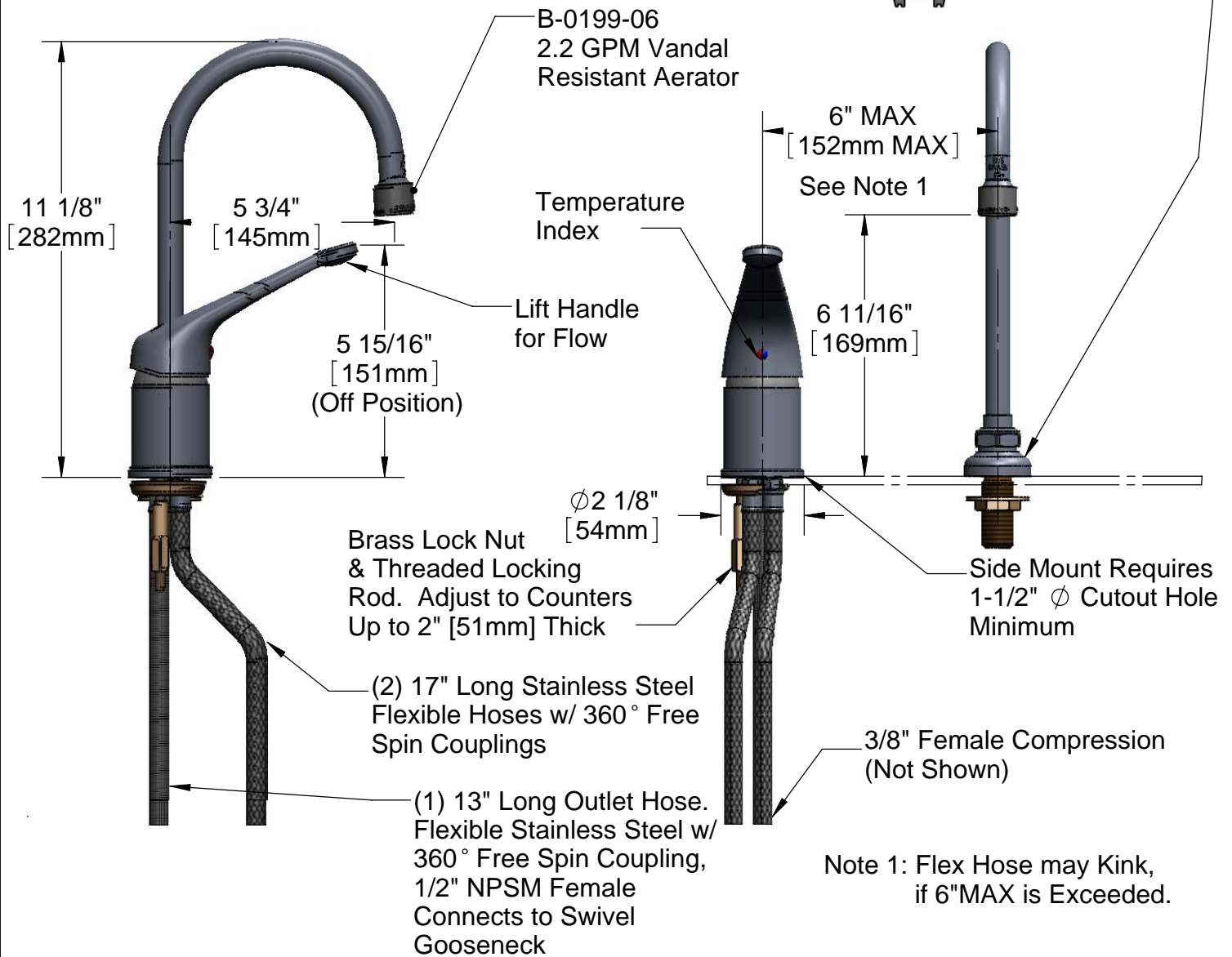
Architect/Engineer \_\_\_\_\_



**ADA Compliant**

1 11/16" Swivel Deck Mount  
Requires 1"  $\phi$  Cutout Hole  
Minimum

Vandal Resistant  
Key



Product Specifications:  
**Side Mount Faucet, Remote Control Base, Long Handle  
w/ Flexible Stainless Steel Water Connectors  
w/ Ceramic Cartridge, Swivel Gooseneck & Vandal  
Resistant Aerator**

Drawn <b>ARH</b>	Checked <b>DHL</b>	Approved <b>JHB</b>
Scale: <b>1:4</b>		Date: <b>03/20/09</b>





**T&S BRASS AND BRONZE WORKS, INC.**

2 Saddleback Cove / P.O. Box 1088  
Travelers Rest, SC 29690



REG. #A2601  
ISO #9001

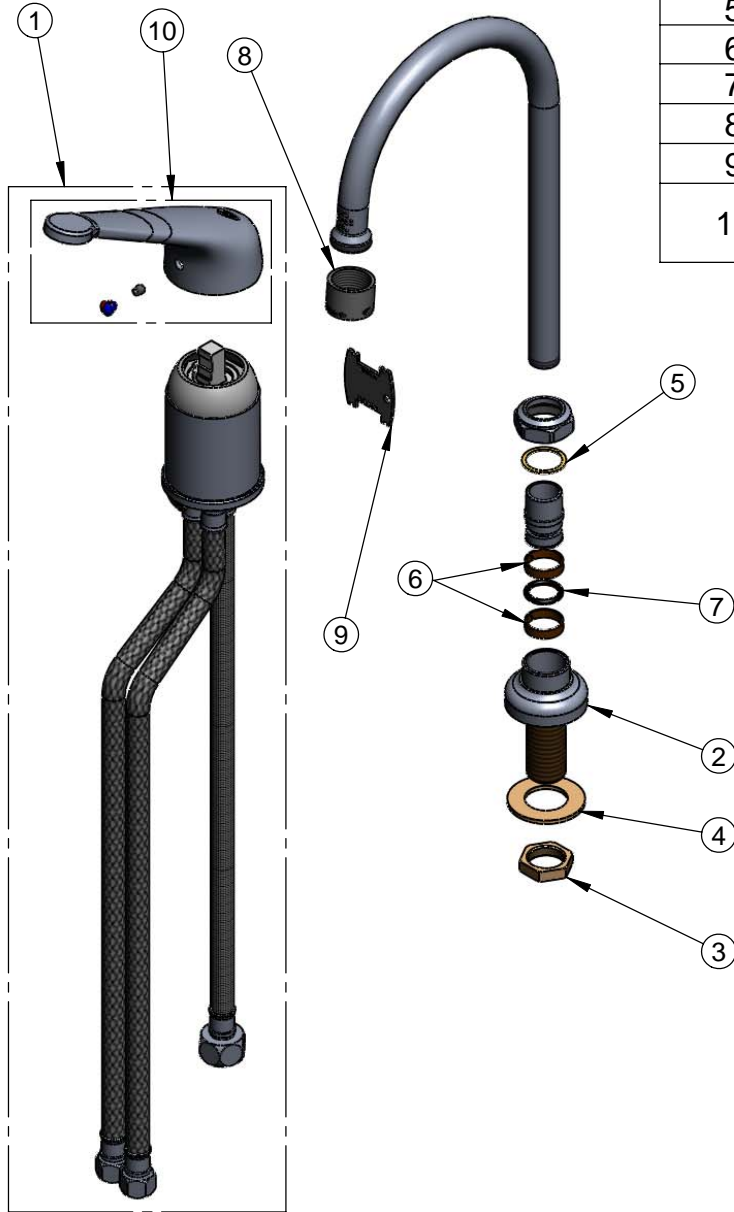
Model No.

**B-2742-LH**

Item No.

Travelers Rest, SC: 800-476-4103 Simi Valley, CA: 800-423-0150 Fax: 864-834-3518 www.tsbrass.com

ITEM NO.	SALES NO.	DESCRIPTION
1	B-2740	Base, B-2740 Side Mount
2	000137-40	Flange, Swivel Center
3	002954-45	Shank Lock Nut
4	000999-45	Brass Lock Washer
5	009538-45	Swivel Washer
6	011429-45	Swivel Sleeve (2)
7	001074-45	O-Ring
8	B-0199-06	VR Aerator w/ Key
9	Q015425-45	Vandal Resistant Key
10	013429-45	B-2710 Long Handle, Single Lever, w/ Setscrew



Product Specifications:

Side Mount Faucet, Remote Control Base, Long Handle  
w/ Flexible Stainless Steel Water Connectors  
w/ Ceramic Cartridge, Swivel Gooseneck & Vandal  
Resistant Aerator

Drawn <b>ARH</b>	Checked <b>DHL</b>	Approved <b>JHB</b>
Scale: <b>1:4</b>		Date: <b>03/20/09</b>