



T&S BRASS AND BRONZE WORKS, INC.

2 Saddleback Cove / P.O. Box 1088
Travelers Rest, SC 29690

Model No.

B-2731

Item No.

Travelers Rest, SC: 800-476-4103 • Simi Valley, CA: 800-423-0150 • Fax: 864-834-3518 • www.tsbrass.com



ADA Compliant

This Space for Architect/Engineer Approval

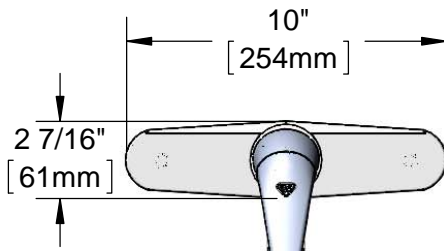
Job Name _____ Date _____

Model Specified _____ Quantity _____

Customer/Wholesaler _____

Contractor _____

Architect/Engineer _____



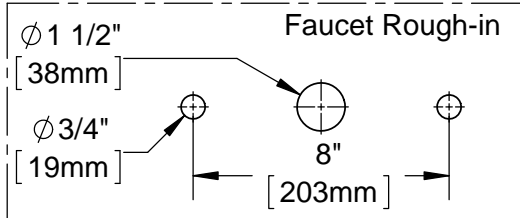
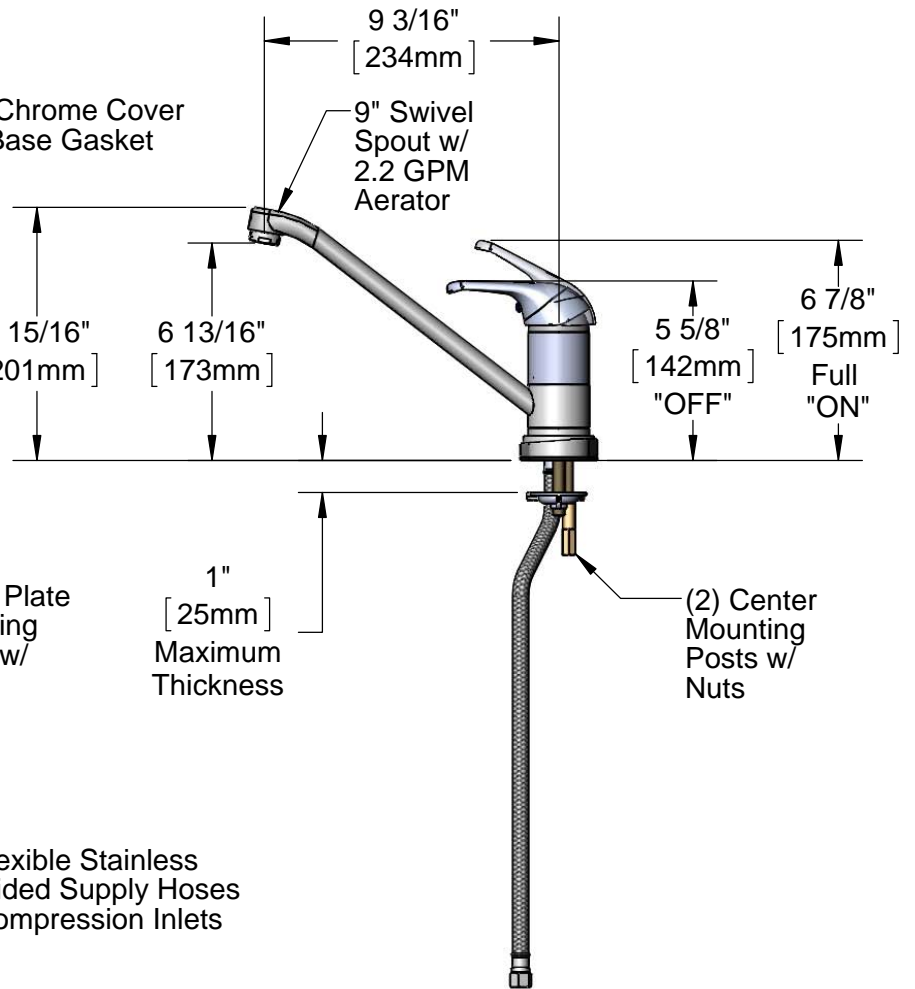
Ceramic Cartridge w/ Temperature Limit Stop

Polished Chrome Cover Plate w/ Base Gasket

Clamping Washer w/ Gasket

Cover Plate Mounting Posts w/ Nuts

(2) 16" Flexible Stainless Steel Braided Supply Hoses w/ 3/8" Compression Inlets



Product Specifications:
Single Lever Deck Mount Faucet, 9" Swivel Spout, 2.2 GPM Aerator, Temperature Limit Stop, 10" Deckplate & (2) 16" Flexible Stainless Steel Braided Supply Hoses

Product Compliance:
ASME A112.18.1 / CSA B125.1
NSF 61 - Section 9
NSF 372 (Low Lead Content)
ANSI A117.1 (ADA)



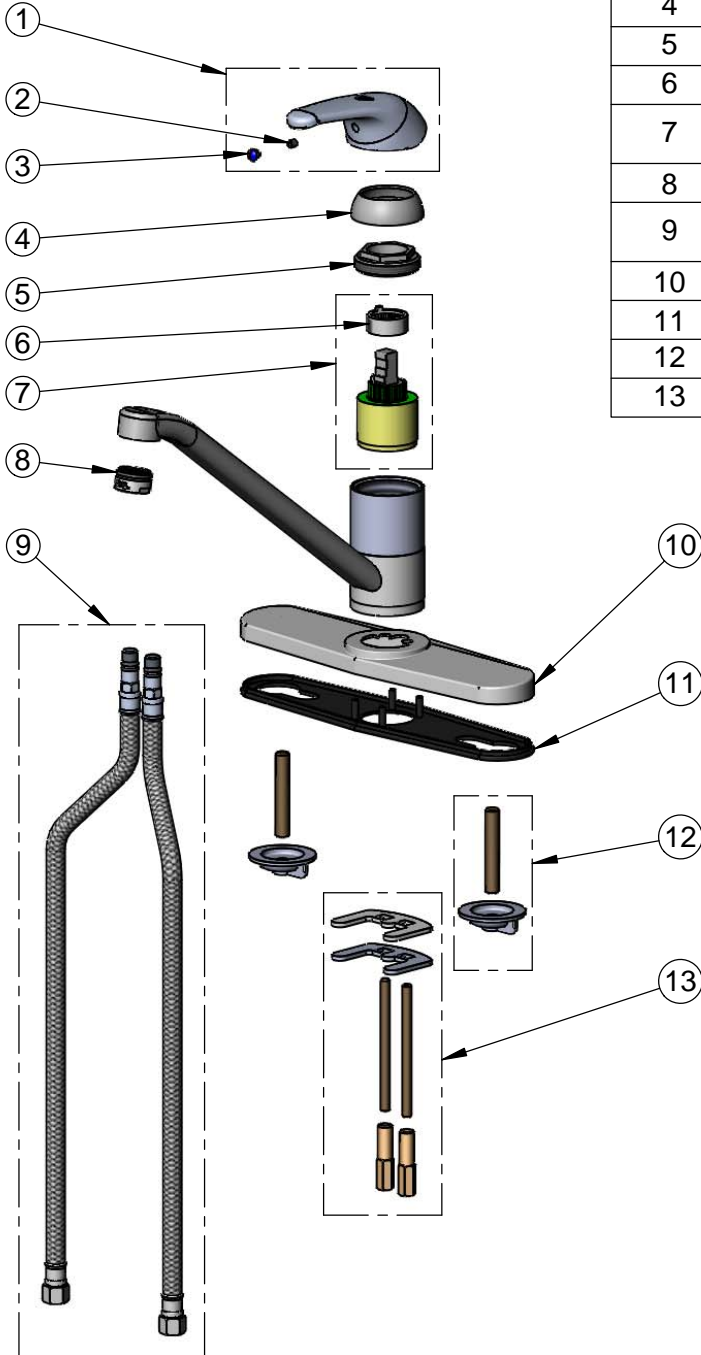
T&S BRASS AND BRONZE WORKS, INC.
 2 Saddleback Cove / P.O. Box 1088
 Travelers Rest, SC 29690

Model No.
B-2731

Item No.

Travelers Rest, SC: 800-476-4103 • Simi Valley, CA: 800-423-0150 • Fax: 864-834-3518 • www.tsbrass.com

ITEM NO.	SALES NO.	DESCRIPTION
1	013113-45	Single Lever Short Handle
2	016675-45	Set Screw
3	014173-45	Index, Temperature
4	016661-45	Trim Ring
5	016663-45	Locking Nut
6	015400-45	Temperature Limit Stop
7	013080-45	Ceramic Cartridge w/ Temperature Limit Stop
8	016671-45	Aerator, 2.2 GPM - 15/16-27 UN Male
9	016879-45	16" Supply Hoses w/ 3/8" Compression Inlets (2)
10	014161-45	Deck Plate, B-2730 & B-2731
11	014160-45	Deck Plate Gasket, B-2730 & B-2731
12	014162-45	Mounting Post & Nut Kit (2)
13	014163-45	Center Mounting Kit



Product Specifications:
 Single Lever Deck Mount Faucet, 9" Swivel Spout, 2.2 GPM Aerator, Temperature Limit Stop, 10" Deckplate & (2) 16" Flexible Stainless Steel Braided Supply Hoses

Product Compliance:
 ASME A112.18.1 / CSA B125.1
 NSF 61 - Section 9
 NSF 372 (Low Lead Content)
 ANSI A117.1 (ADA)