



# T&S BRASS AND BRONZE WORKS, INC.

2 Saddleback Cove / P.O. Box 1088  
Travelers Rest, SC 29690

Model No.

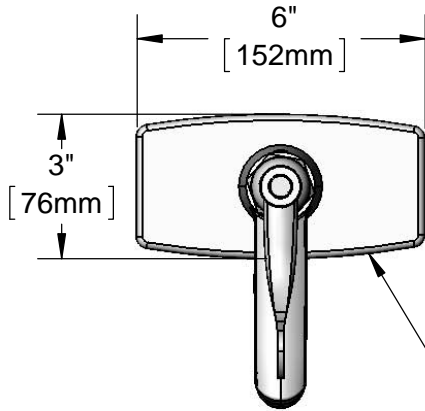
**B-2460**

Item No.

Travelers Rest, SC: 800-476-4103 • Simi Valley, CA: 800-423-0150 • Fax: 864-834-3518 • www.tsbrass.com



**ADA Compliant**



Polish Chrome Cover Plate w Concealed Anti-Rotation Lock Pin

This Space for Architect/Engineer Approval

Job Name \_\_\_\_\_ Date \_\_\_\_\_

Model Specified \_\_\_\_\_ Quantity \_\_\_\_\_

Customer/Wholesaler \_\_\_\_\_

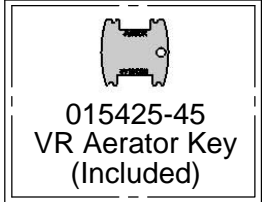
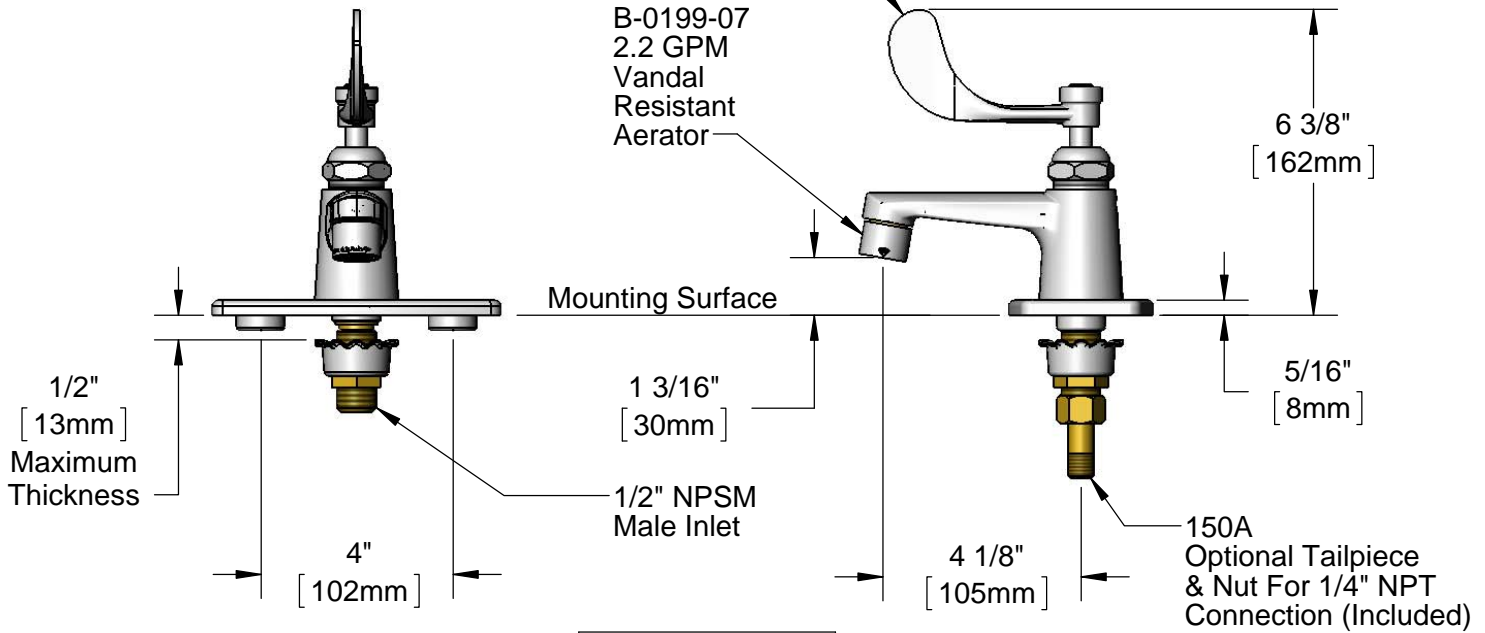
Contractor \_\_\_\_\_

Architect/Engineer \_\_\_\_\_

Cerama Cartridge & 4" Wrist Action Handle w/ Color Coded Index



B-0199-07  
2.2 GPM  
Vandal  
Resistant  
Aerator



Rough-In Requirement:  
(3)  $\varnothing$  1 1/8" [29mm] Mounting Holes

Product Specifications:  
Single Hole Single Temperature Faucet, Cerama Cartridge, 4" Wrist Action Handle, 2.2 GPM Vandal Resistant Aerator, Anti-Rotation Deck Plate & 1/2" NPSM Male Inlet

Product Compliance:  
ASME A112.18.1 / CSA B125.1  
NSF 61 - Section 9  
NSF 372 (Low Lead Content)  
ANSI A117.1 (ADA)



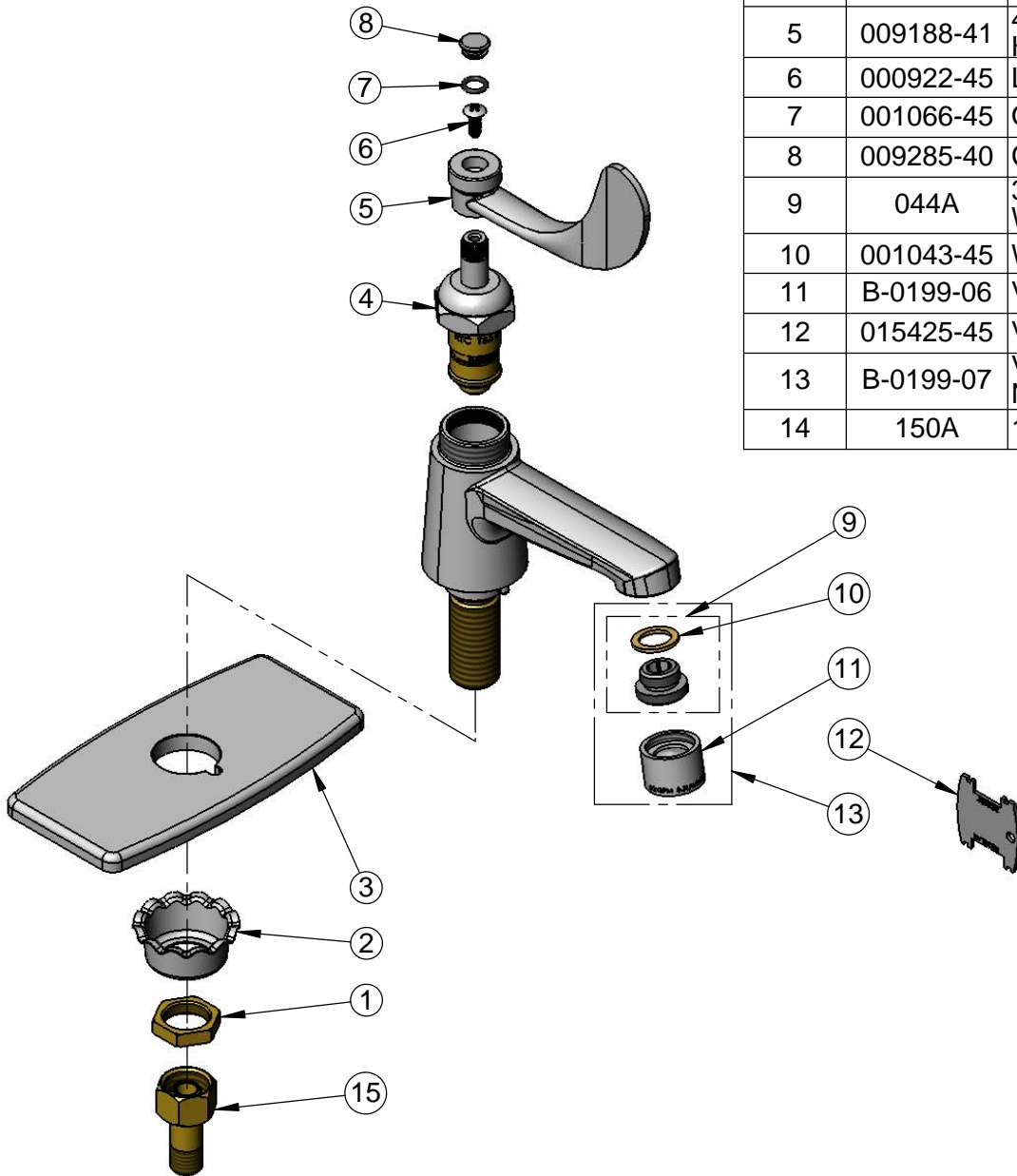
**T&S BRASS AND BRONZE WORKS, INC.**  
 2 Saddleback Cove / P.O. Box 1088  
 Travelers Rest, SC 29690

Model No.  
**B-2460**

Item No.

Travelers Rest, SC: 800-476-4103 • Simi Valley, CA: 800-423-0150 • Fax: 864-834-3518 • www.tsbrass.com

ITEM NO.	SALES NO.	DESCRIPTION
1	002954-45	Shank Lock Nut
2	001000-45	Rosette Washer
3	013824-40	4" c/c Deck Plate w/ Vandal Resistant Notch
4	011278-25	Cerama Cartridge, RTC
5	009188-41	4" Decorative Wrist Action Handle
6	000922-45	Lever Handle Screw
7	001066-45	O-Ring
8	009285-40	Cap Insert Blank
9	044A	3/8" to Aerator Adapter w/ Washer
10	001043-45	Washer
11	B-0199-06	VR 2.2 GPM Aerator w/ Key
12	015425-45	Vandal Resistant Key
13	B-0199-07	VR 2.2 GPM Aerator, 3/8" NPSM Male w/ Key
14	150A	1/4" NPT Tailpiece & Nut



**Product Specifications:**

Single Hole Single Temperature Faucet, Cerama Cartridge, 4" Wrist Action Handle, 2.2 GPM Vandal Resistant Aerator, Anti-Rotation Deck Plate & 1/2" NPSM Male Inlet

**Product Compliance:**

ASME A112.18.1 / CSA B125.1  
 NSF 61 - Section 9  
 NSF 372 (Low Lead Content)  
 ANSI A117.1 (ADA)