



# T&S BRASS AND BRONZE WORKS, INC.

2 Saddleback Cove / P.O. Box 1088  
Travelers Rest, SC 29690

Model No.

**B-2346**

Item No.

Travelers Rest, SC: 800-476-4103 • Simi Valley, CA: 800-423-0150 • Fax: 864-834-3518 • www.tsbrass.com

This Space for Architect/Engineer Approval

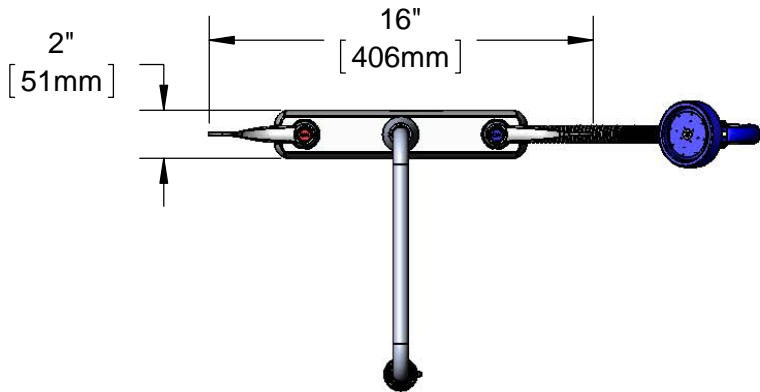
Job Name \_\_\_\_\_ Date \_\_\_\_\_

Model Specified \_\_\_\_\_ Quantity \_\_\_\_\_

Customer/Wholesaler \_\_\_\_\_

Contractor \_\_\_\_\_

Architect/Engineer \_\_\_\_\_



4" Wrist Action Handles  
w/ Color Coded Indexes

B-0972  
Vacuum Breaker  
w/ Garden Hose  
Male Outlet

2 15/16"  
[74mm]

8"  
[203mm]

10 1/2"  
[267mm]

1/2" NPSM  
Male Inlet

2" GPM Available  
Through Diverter  
& Hose

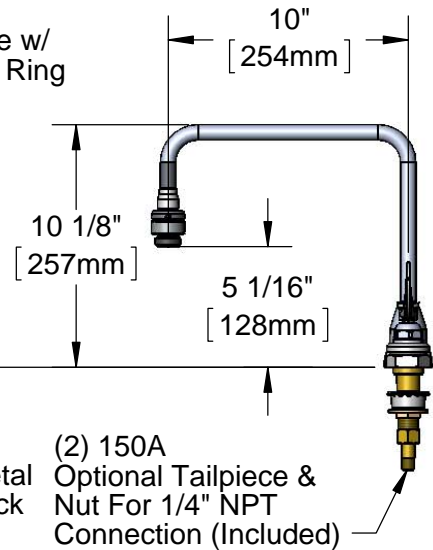
EB-0107-035  
High Flow  
Spray Valve w/  
Hold Down Ring

Mounting  
Surface

B-KF  
Fits Sheet Metal  
up to 1/8" Thick

(2) 150A  
Optional Tailpiece &  
Nut For 1/4" NPT  
Connection (Included)

60" Flexible Stainless  
Steel Hose w/ Spray Valve



**Rough-In Requirement:**  
(3)  $\phi$ 1" [25mm] Mounting Holes

**Product Specifications:**

8" Deck Mount Mixing Faucet w/ 60" Flexible Stainless Steel Hose, High Flow Angled Spray Valve, 4" Wrist Action Handles, Vacuum Breaker Gooseneck w/ Garden Hose Male Outlet & 1/2" NPSM Male Inlets

**Product Compliance:**

ASME A112.18.1 / CSA B125.1  
NSF 61 - Section 9  
NSF 372 (Low Lead Content)  
EPA Act 2005 Non-Compliant (PRSV)  
ASSE 1011 (VB)



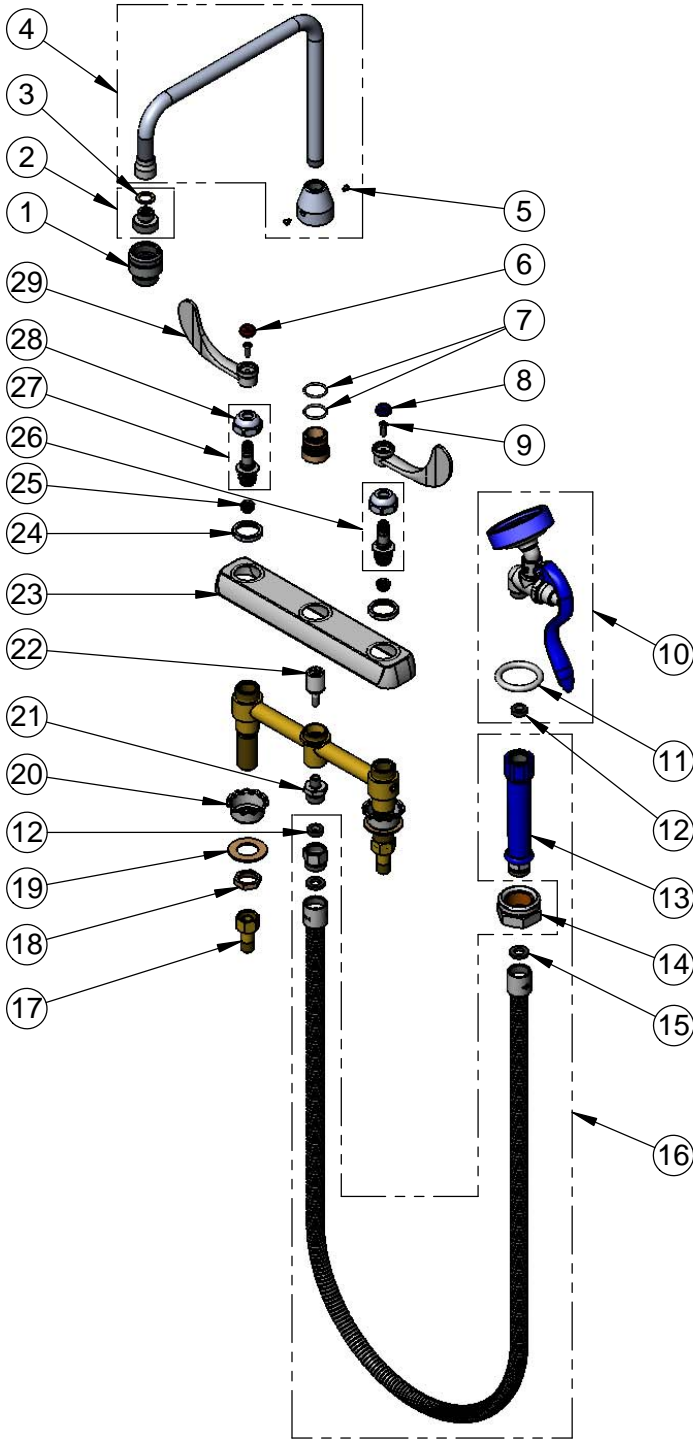
**T&S BRASS AND BRONZE WORKS, INC.**  
 2 Saddleback Cove / P.O. Box 1088  
 Travelers Rest, SC 29690

Model No.  
**B-2346**

Item No.

Travelers Rest, SC: 800-476-4103 • Simi Valley, CA: 800-423-0150 • Fax: 864-834-3518 • www.tsbrass.com

ITEM NO.	SALES NO.	DESCRIPTION
1	B-0972	Vacuum Breaker, 3/4" Garden Hose Inlet & Outlet
2	B-GH	Garden Hose Outlet
3	001043-45	Washer
4	009556-40	Swivel Gooseneck (Less Vacuum Breaker)
5	001486-45	Diverter Cover Screw
6	001194-45	Red Index - HW
7	001069-45	O-ring
8	001686-45	Blue Index - CW
9	000925-45	Lab Handle Screw
10	EB-0107-035	High Flow Angled Spray Valve (Blue)
11	000907-45	Spray Valve Hold Down Ring
12	010476-45	#27 Washer
13	011482-40	Grip Handle (Blue)
14	B-KF	Protective Flange
15	001014-45	Washer, B-0100 Hose Barrel
16	EB-0060-H	60" Flexible Stainless Steel Hose w/ Blue Handle
17	150A	1/4" NPT Tailpiece & Nut
18	002954-45	Shank Lock Nut
19	000999-45	Brass Lock Washer
20	001000-45	Rosette Washer
21	000542-25	1/8" x 3/4-14 Male Adapter
22	002338-45	Valve Diverter Piston
23	001259-40	Escutcheon
24	000712-25	Escutcheon Lock Nut
25	000763-20	Seat
26	009424-40	B-2346 Spindle, LTC (Teflon)
27	009423-40	B-2346 Spindle, RTC (Teflon)
28	009749-25	Bonnet Nut
29	B-WH4	4" Wrist Action Handle



Product Specifications:  
 8" Deck Mount Mixing Faucet w/ 60" Flexible Stainless Steel Hose, High Flow Angled Spray Valve, 4" Wrist Action Handles, Vacuum Breaker Gooseneck w/ Garden Hose Male Outlet & 1/2 NPSM Male Inlets

Product Compliance:  
 ASME A112.18.1 / CSA B125.1  
 NSF 61 - Section 9  
 NSF 372 (Low Lead Content)  
 EPA Act 2005 Non-Compliant (PRSV)  
 ASSE 1011 (VB)