



T&S BRASS AND BRONZE WORKS, INC.

2 SADDLEBACK COVE / P.O. BOX 1088 / TRAVELERS REST, SC 29690

PHONE 800-476-4103

FAX 864-834-3518



REG.#A2601
ISO #9002

Model No.

B-2271

Item No.:

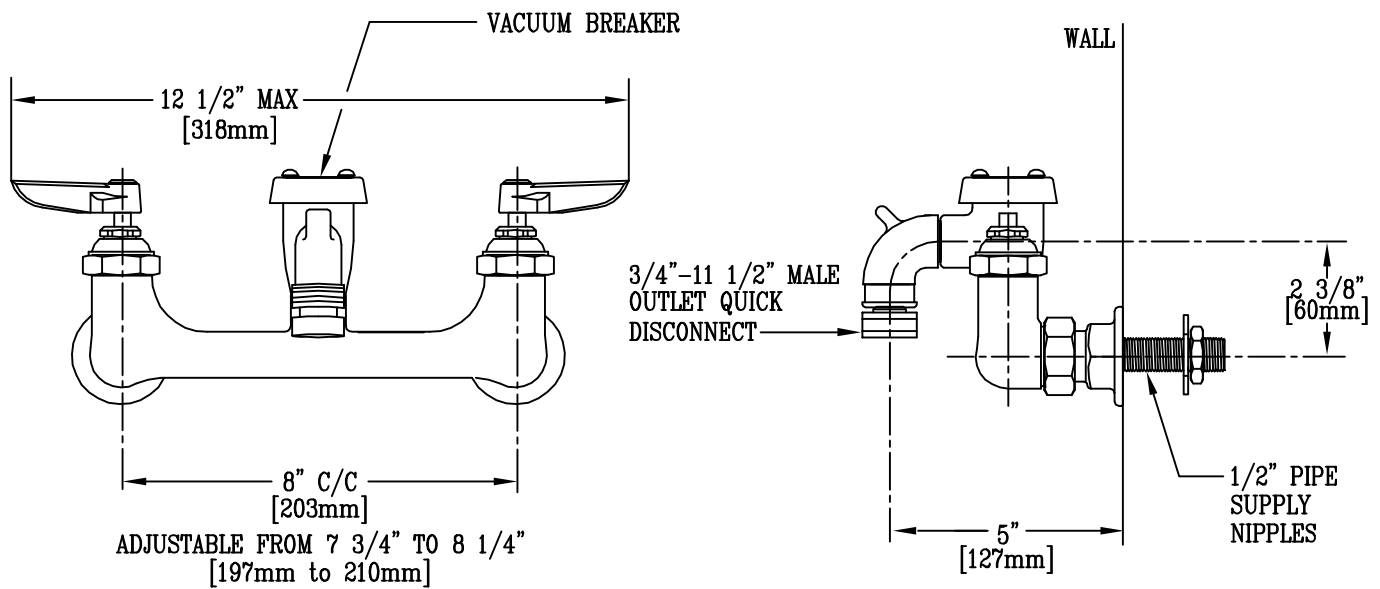
Job Name:

Architect/Engineer Approval:

Notes:



ADA COMPLIANT



NSF STANDARD 61, SECTION 9 CERTIFIED.

Product Description:

SERVICE SINK FAUCET WITH VACUUM BREAKER,
ROUGH CHROME FINISH, QUICK DISCONNECT,
& 1/2" NPT SUPPLY NIPPLES

Drawn:

WJS

Approved

CA

Checked

SCM

Scale:

3" = 1'

Date:

11/22/95



T&S BRASS AND BRONZE WORKS, INC.

2 Saddleback Cove / P.O. Box 1088
Travelers Rest, SC 29690

Model No.

B-2271-CR

Item No.

Travelers Rest, SC: 800-476-4103 • Simi Valley, CA: 800-423-0150 • Fax: 864-834-3518 • www.tsbrass.com



ADA Compliant

This Space for Architect/Engineer Approval

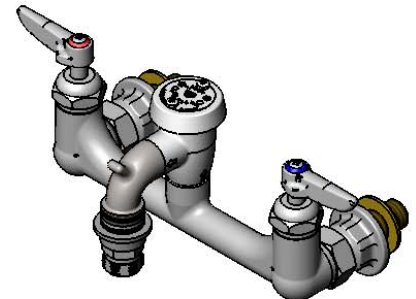
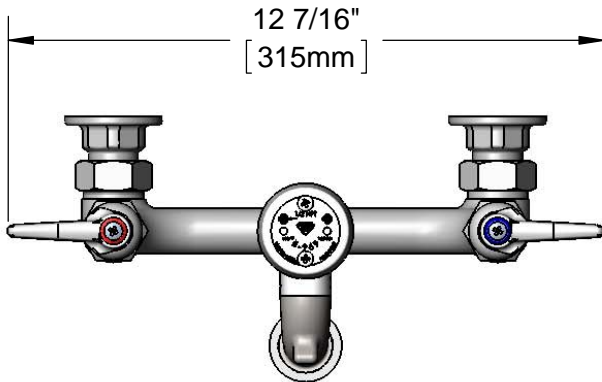
Job Name _____ Date _____

Model Specified _____ Quantity _____

Customer/Wholesaler _____

Contractor _____

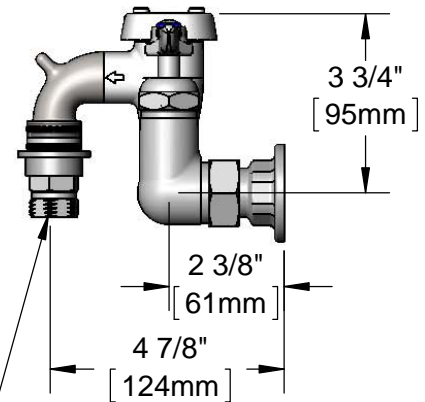
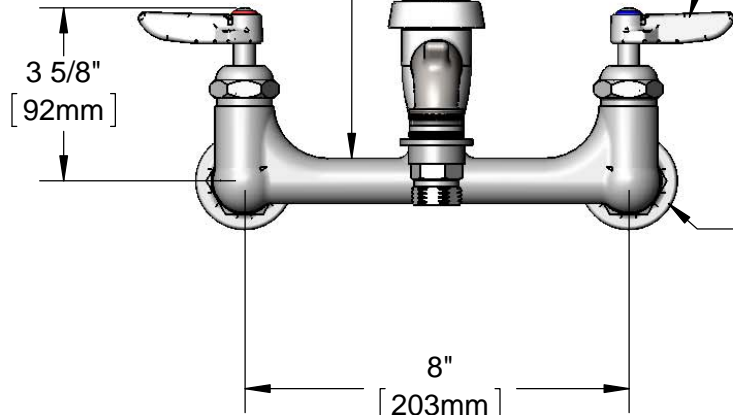
Architect/Engineer _____



Rough Chrome Finish on Faucet Body & Spout

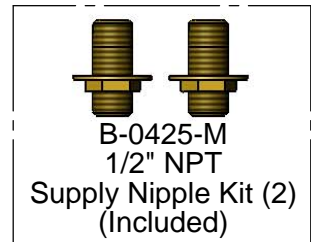
B-0969 1/2" NPT Atmospheric Vacuum Breaker

Cerama Cartridges w/ Check Valves & Lever Handles w/ Color Coded Indexes



Ø 2" [51mm] Flanges w/ 1/2" NPT Female Inlets

Male Garden Hose Outlet w/ Quick Disconnect Fitting



Rough-In Requirement:
(2) Ø 1" [25mm] Mounting Holes

Product Specifications:

8" Wall Mount Rough Chrome Service Sink Mixing Faucet, Cerama Cartridges w/ Check Valves, Lever Handles, Male Garden Hose Outlet w/ Quick Disconnect Fitting, 1/2" NPT Vacuum Breaker & 1/2" NPT Female Inlets

Product Compliance:

ASME A112.18.1 / CSA B125.1
NSF 61 Exempt (Non-Potable)
ANSI A117.1 (ADA)
ASSE 1001 (VB)



T&S BRASS AND BRONZE WORKS, INC.

2 Saddleback Cove / P.O. Box 1088
Travelers Rest, SC 29690

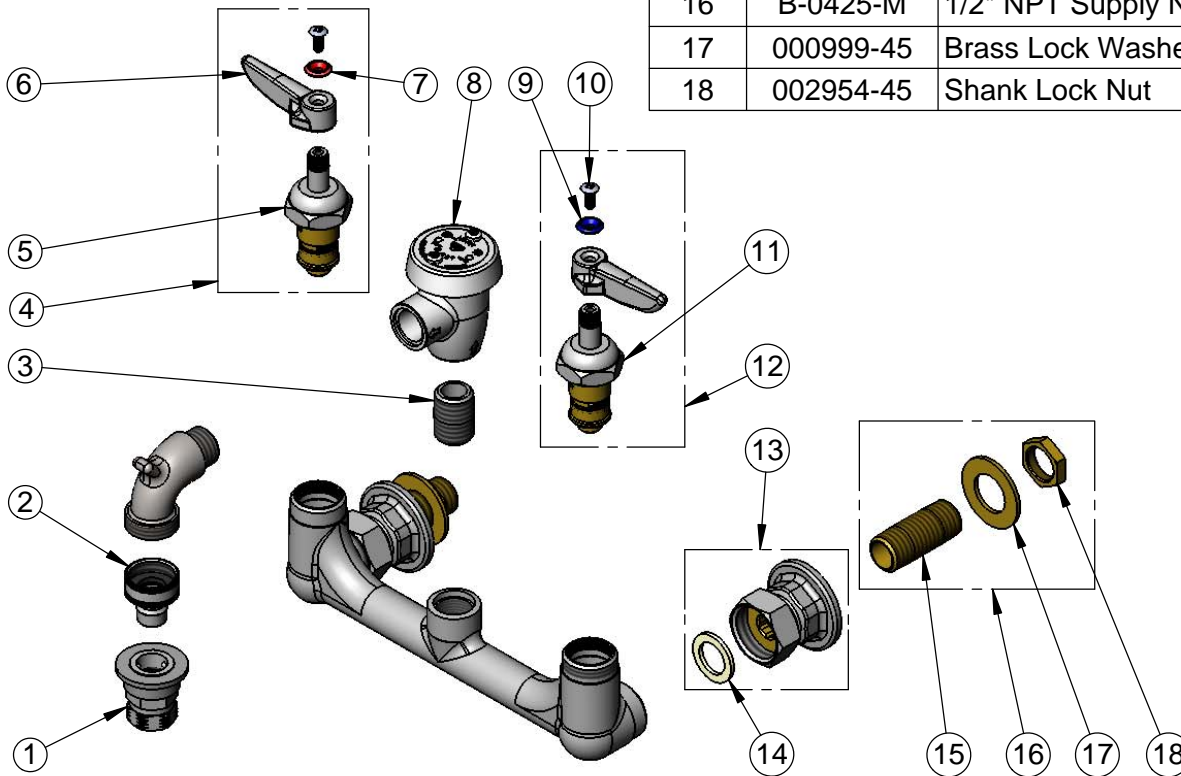
Model No.

B-2271-CR

Item No.

Travelers Rest, SC: 800-476-4103 • Simi Valley, CA: 800-423-0150 • Fax: 864-834-3518 • www.tsbrass.com

ITEM NO.	SALES NO.	DESCRIPTION
1	001371-45	Socket, Quick Disconnect
2	001370-45	Plug, Quick Disconnect
3	002534-25	1/2" NPT Close Nipple
4	012446-25	Cerama Cartridge, RTC w/ Check Valve, Handle, Index & Screw
5	012394-25	Cerama Cartridge, RTC w/ Check Valve
6	001638-45	Lever Handle
7	001661-45	Red Index-HW
8	B-0969	1/2" NPT Vacuum Breaker
9	001660-45	Blue Index-CW
10	000922-45	Lever Handle Screw
11	012395-25	Cerama Cartridge, LTC w/ Check Valve
12	012447-25	Cerama Cartridge, LTC w/ Check Valve, Handle, Index & Screw
13	00AA	1/2" NPT Female Eccentric Flange
14	001019-45	Coupling Nut Washer
15	000422-20	Supply Nipple
16	B-0425-M	1/2" NPT Supply Nipple Kit (2)
17	000999-45	Brass Lock Washer
18	002954-45	Shank Lock Nut

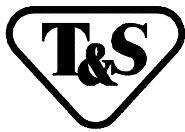


Product Specifications:

8" Wall Mount Rough Chrome Service Sink Mixing Faucet, Cerama Cartridges w/ Check Valves, Lever Handles, Male Garden Hose Outlet w/ Quick Disconnect Fitting, 1/2" NPT Vacuum Breaker & 1/2" NPT Female Inlets

Product Compliance:

ASME A112.18.1 / CSA B125.1
NSF 61 Exempt (Non-Potable)
ANSI A117.1 (ADA)
ASSE 1001 (VB)



T&S BRASS AND BRONZE WORKS, INC.

2 SADDLEBACK COVE / P.O. BOX 1088 / TRAVELERS REST, SC 29690

PHONE 800-476-4103

FAX 864-834-3518



REG.#A2601
ISO #9002

Model No.

B-2271-POL

Item No.:

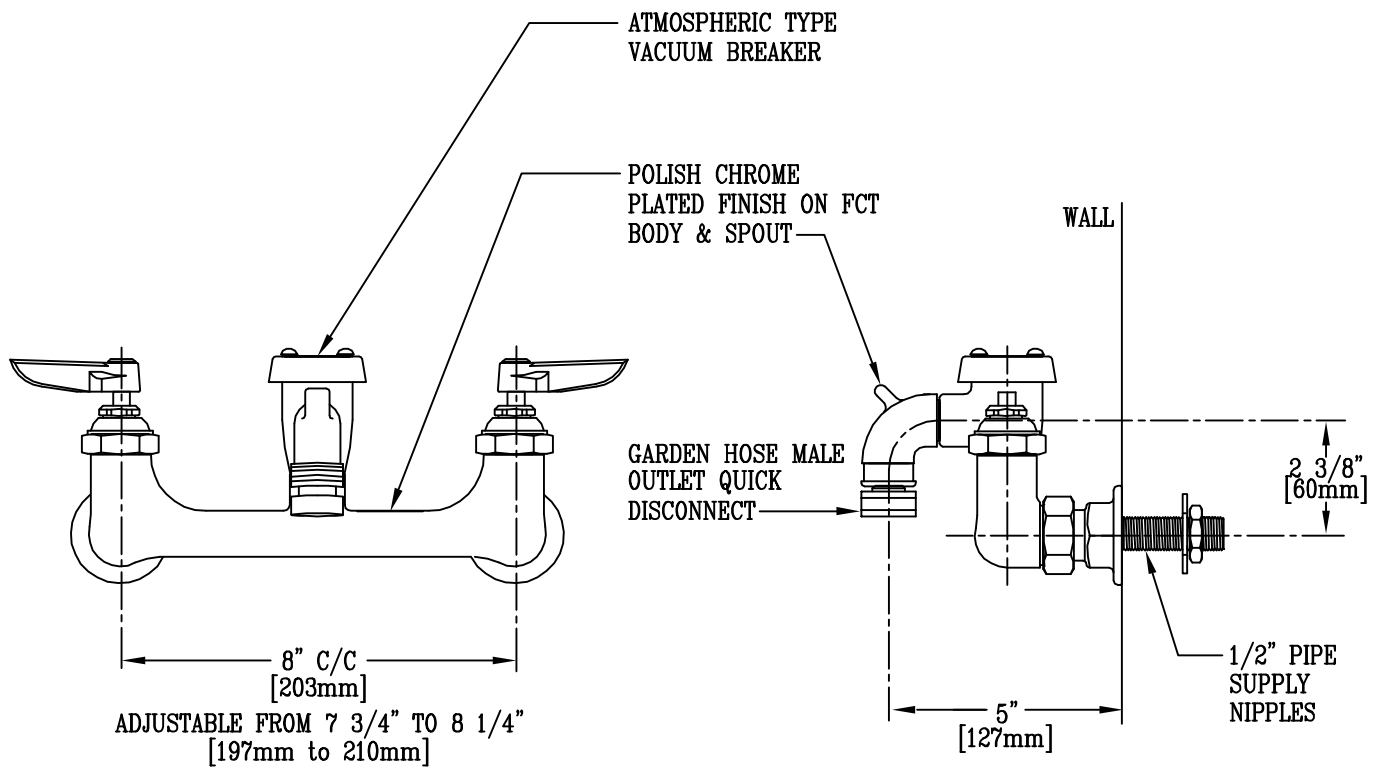
Job Name:

Architect/Engineer Approval:

Notes:



ADA COMPLIANT



Product Description:

SERVICE SINK FAUCET WITH VACUUM BREAKER, POLISH CHROME FINISH, QUICK DISCONNECT, & 1/2" NPT SUPPLY NIPPLES

Drawn:

WJS

Checked

JKD

Scale:

1 : 4

Approved

JKD

Date:

5/9/02



T&S BRASS AND BRONZE WORKS, INC.
 2 Saddleback Cove / P.O. Box 1088
 Travelers Rest, SC 29690

Model No.
B-2271-POL-CR

Item No.

Travelers Rest, SC: 800-476-4103 • Simi Valley, CA: 800-423-0150 • Fax: 864-834-3518 • www.tsbrass.com



ADA Compliant

This Space for Architect/Engineer Approval

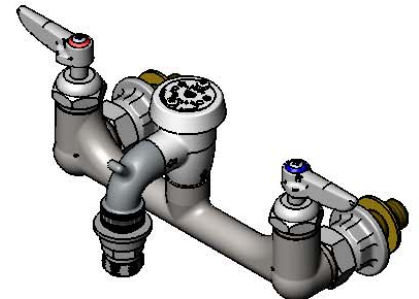
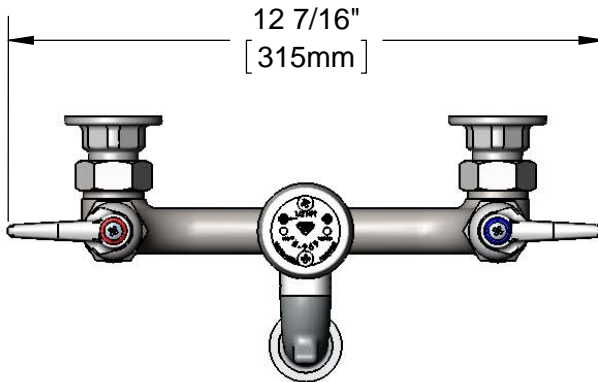
Job Name _____ Date _____

Model Specified _____ Quantity _____

Customer/Wholesaler _____

Contractor _____

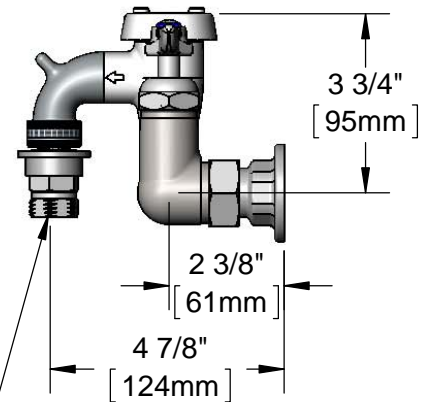
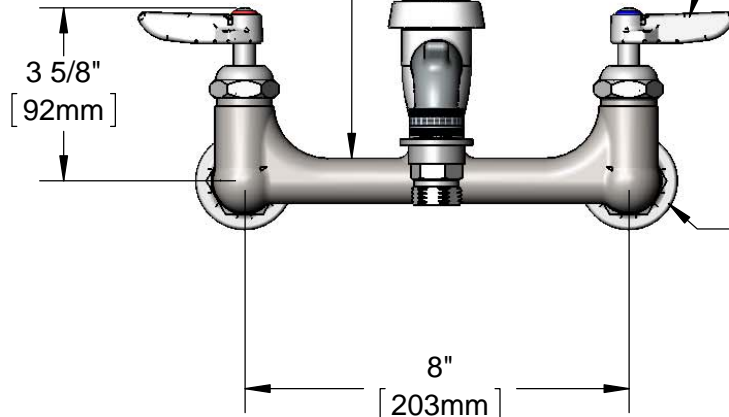
Architect/Engineer _____



Polish Chrome Finish on Faucet Body & Spout

B-0969 1/2" NPT Atmospheric Vacuum Breaker

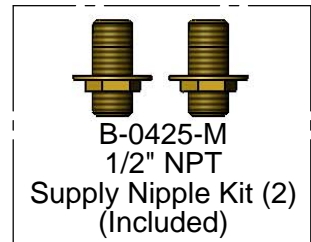
Cerama Cartridges w/ Check Valves & Lever Handles w/ Color Coded Indexes



Ø 2" [51mm] Flanges w/ 1/2" NPT Female Inlets

Male Garden Hose Outlet w/ Quick Disconnect Fitting

Adjustable From 7 3/4" to 8 1/4" [197mm to 210mm]



Rough-In Requirement:
 (2) Ø 1" [25mm] Mounting Holes

Product Specifications:
 8" Wall Mount Polish Chrome Service Sink Mixing Faucet, Cerama Cartridges w/ Check Valves, Lever Handles, Male Garden Hose Outlet w/ Quick Disconnect Fitting, 1/2" NPT Vacuum Breaker & 1/2" NPT Female Inlets

Product Compliance:
 ASME A112.18.1 / CSA B125.1
 NSF 61 Exempt (Non-Potable)
 ANSI A117.1 (ADA)
 ASSE 1001 (VB)



T&S BRASS AND BRONZE WORKS, INC.

2 Saddleback Cove / P.O. Box 1088
Travelers Rest, SC 29690

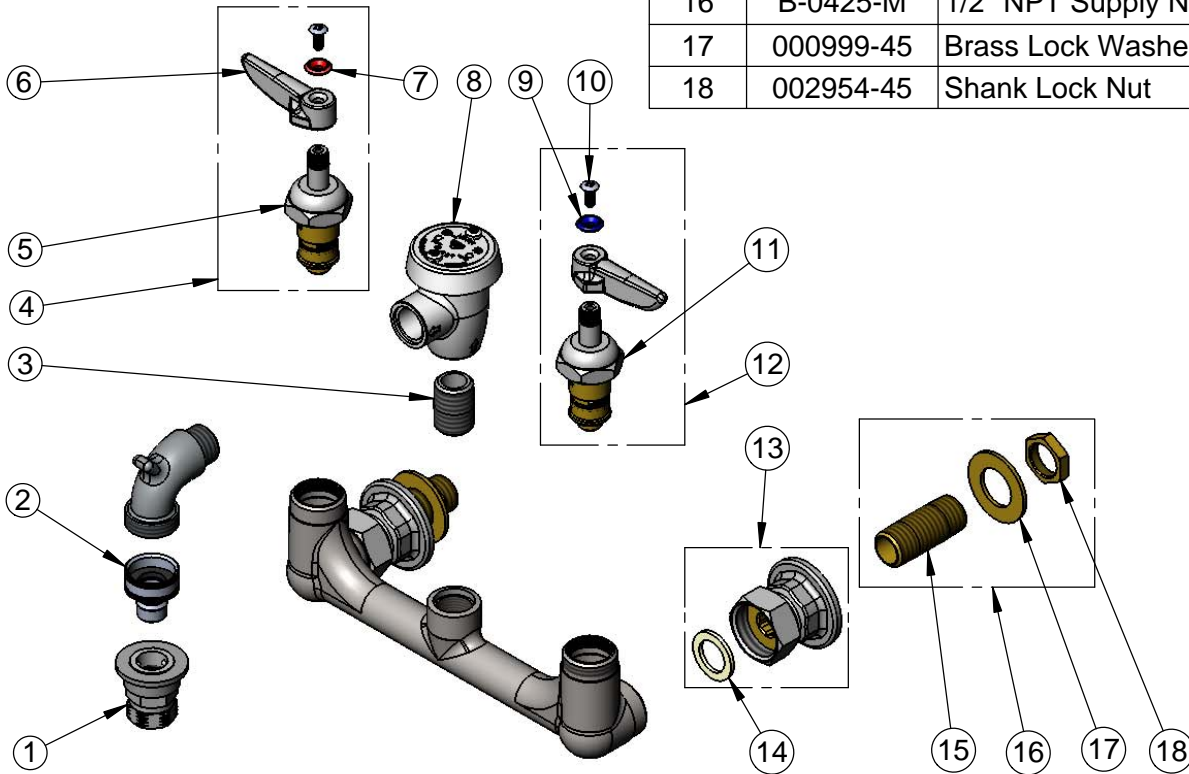
Model No.

B-2271-POL-CR

Item No.

Travelers Rest, SC: 800-476-4103 • Simi Valley, CA: 800-423-0150 • Fax: 864-834-3518 • www.tsbrass.com

ITEM NO.	SALES NO.	DESCRIPTION
1	001371-45	Socket, Quick Disconnect
2	001370-45	Plug, Quick Disconnect
3	002534-25	1/2" NPT Close Nipple
4	012446-25	Cerama Cartridge, RTC w/ Check Valve, Handle, Index & Screw
5	012394-25	Cerama Cartridge, RTC w/ Check Valve
6	001638-45	Lever Handle
7	001661-45	Red Index-HW
8	B-0969	1/2" NPT Vacuum Breaker
9	001660-45	Blue Index-CW
10	000922-45	Lever Handle Screw
11	012395-25	Cerama Cartridge, LTC w/ Check Valve
12	012447-25	Cerama Cartridge, LTC w/ Check Valve, Handle, Index & Screw
13	00AA	1/2" NPT Female Eccentric Flange
14	001019-45	Coupling Nut Washer
15	000422-20	1/2" NPT Supply Nipple
16	B-0425-M	1/2" NPT Supply Nipple Kit (2)
17	000999-45	Brass Lock Washer
18	002954-45	Shank Lock Nut



Product Specifications:

8" Wall Mount Polish Chrome Service Sink Mixing Faucet, Cerama Cartridges w/ Check Valves, Lever Handles, Male Garden Hose Outlet w/ Quick Disconnect Fitting, 1/2" NPT Vacuum Breaker & 1/2" NPT Female Inlets

Product Compliance:

ASME A112.18.1 / CSA B125.1
NSF 61 Exempt (Non-Potable)
ANSI A117.1 (ADA)
ASSE 1001 (VB)