



# T&S BRASS AND BRONZE WORKS, INC.

2 Saddleback Cove / P.O. Box 1088  
Travelers Rest, SC 29690

Model No.

**B-1171**

Item No.

Travelers Rest, SC: 800-476-4103 • Simi Valley, CA: 800-423-0150 • Fax: 864-834-3518 • www.tsbrass.com



**ADA Compliant**

This Space for Architect/Engineer Approval

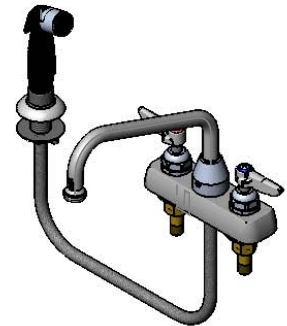
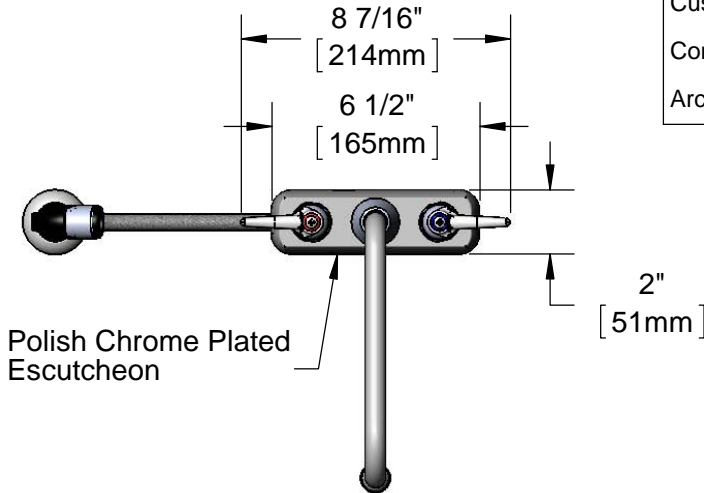
Job Name \_\_\_\_\_ Date \_\_\_\_\_

Model Specified \_\_\_\_\_ Quantity \_\_\_\_\_

Customer/Wholesaler \_\_\_\_\_

Contractor \_\_\_\_\_

Architect/Engineer \_\_\_\_\_



Sidespray w/ 4' Vinyl Hose & Hose Guide

Lever Handles w/ Color Coded Indexes

360° Swivel Piece

8" Swing Nozzle w/ Stream Regulator Outlet

8" [203mm]

Hose Guide w/ Lock Nut

7 1/4" [184mm]

3 1/16" [78mm]

4 1/2" [114mm]

Mounting Surface

1" [25mm]

4" [102mm]

1" [25mm]

1/2" NPT Male Inlets

1/4" [6mm] Maximum Thickness

(2) 150A  
Optional Tailpiece & Nut  
For 1/4" NPT Connection  
(Included)

**Rough-In Requirement:**

Faucet: (3) Ø 1" [25mm] Mounting Holes  
Sidespray: (1) Ø 1" [25mm] Mounting Hole

**Product Specifications:**

4" Deck Mount Workboard Mixing Faucet, Lever Handles, 8" Swing Nozzle, 4' Vinyl Hose Sidespray w/ Hose Guide & 1/2" NPT Male Inlets

**Product Compliance:**

ASME A112.18.1 / CSA B125.1  
NSF 61 - Section 9  
NSF 372 (Low Lead Content)  
ANSI A117.1 (ADA)

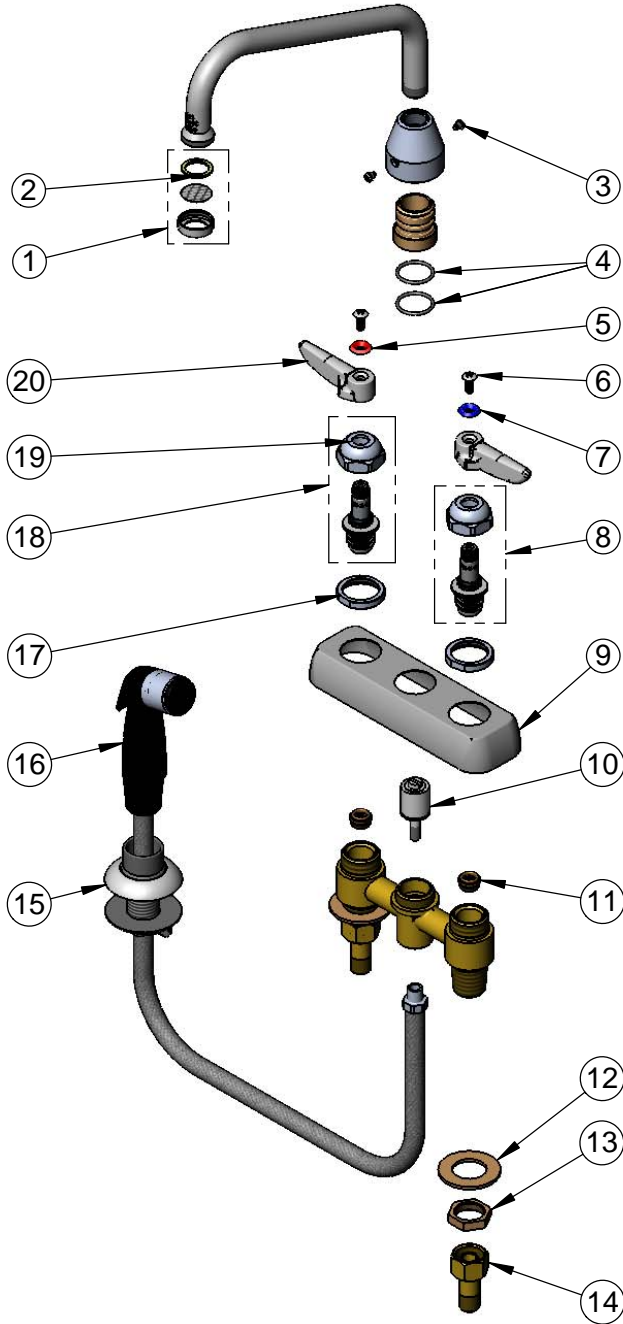


**T&S BRASS AND BRONZE WORKS, INC.**  
 2 Saddleback Cove / P.O. Box 1088  
 Travelers Rest, SC 29690

Model No.  
**B-1171**

Item No.

Travelers Rest, SC: 800-476-4103 • Simi Valley, CA: 800-423-0150 • Fax: 864-834-3518 • www.tsbrass.com



ITEM NO.	SALES NO.	DESCRIPTION
1	B-PT	Stream Regulator Outlet
2	001048-45	Nozzle Tip Washer
3	001486-45	Diverter Cover Screw
4	001069-45	O-ring
5	001661-45	Red Index-HW
6	000922-45	Lever Handle Screw
7	001660-45	Blue Index-CW
8	009754-25	B-1100 Spindle, LTC
9	001258-40	Escutcheon
10	002338-45	Valve Diverter Piston
11	000763-20	Seat
12	000999-45	Brass Lock Washer
13	002954-45	Shank Lock Nut
14	150A	1/4" NPT Tailpiece & Nut
15	001496-45	Hose Guide
16	001495-45	Sidespray w/ 4' Vinyl Hose & Hose Guide
17	000712-25	Escutcheon Lock Nut
18	009753-25	B-1100 Spindle, RTC
19	009749-25	Bonnet Nut
20	001638-45	Lever Handle

**Product Specifications:**

4" Deck Mount Workboard Mixing Faucet, Lever Handles, 8" Swing Nozzle, 4' Vinyl Hose Sidespray w/ Hose Guide & 1/2" NPT Male Inlets

**Product Compliance:**

ASME A112.18.1 / CSA B125.1  
 NSF 61 - Section 9  
 NSF 372 (Low Lead Content)  
 ANSI A117.1 (ADA)