



Workboard / Bar Sink Faucet

B-1120-LN

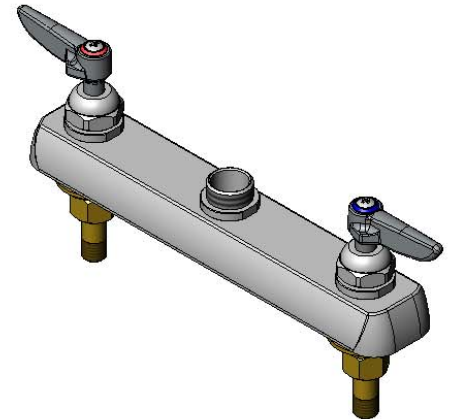
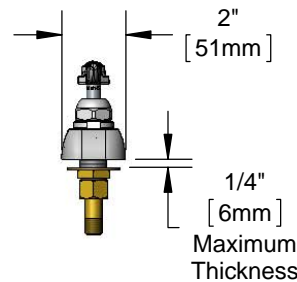
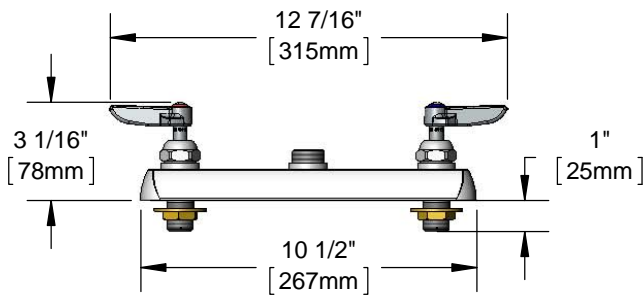
TAG:

Workboard Mixing Faucet

Architect/Engineering Specifications:

8" deck mount mixing faucet with chrome plated brass body, swivel outlet (less nozzle), compression spindles, lever handles, 1/2" NPT male inlets, removable brass seats and chrome plated escutcheon. Certified to ASME A112.18.1/CSA B125.1, NSF 61-Section 9 and NSF 372. Meets ADA ANSI/ICC A117.1 requirements.

Job Name _____
 Model Specified _____ Quantity _____
 Variations Specified _____
 Date _____



Features & Benefits:

- 8" deck mount mixing faucet w/ chrome plated brass body
- Swivel outlet accepts standard T&S swing nozzles
- Compression spindles
- Lever handles w/ color coded indexes
- 1/2" NPT male inlets
- Tailpieces and nuts for 1/4" NPT male connections
- Removable brass seats
- Chrome plated escutcheon
- Material: Chrome plated brass body and chrome plated metal handles & escutcheon

Product Compliance:

- ASME A112.18.1 / CSA B125.1
- NSF 61 - Section 9
- NSF 372 (Low Lead Content)
- ANSI A117.1 (ADA)



Warranty: One Year (Limited)

Performance Data:

- Pressure: 20 - 125 psi
- Temperature: 40°F - 140°F
- Flow Rate: 11.90 GPM @ 60 psi
(Outlet Device &/or Final Configuration May Reduce Flow Rate)



Optional Handles

- 4" Wrist Action
- Lever



T&S BRASS AND BRONZE WORKS, INC.



• 2 Saddleback Cove • Travelers Rest, SC 29690
 Ph 800-476-4103 • Fax 864-834-3518
 • Simi Valley, CA • Ph 800-423-0150 • www.tsbrass.com

Date: 02/02/15



Workboard / Bar Sink Faucets

B-1120-XS-LN

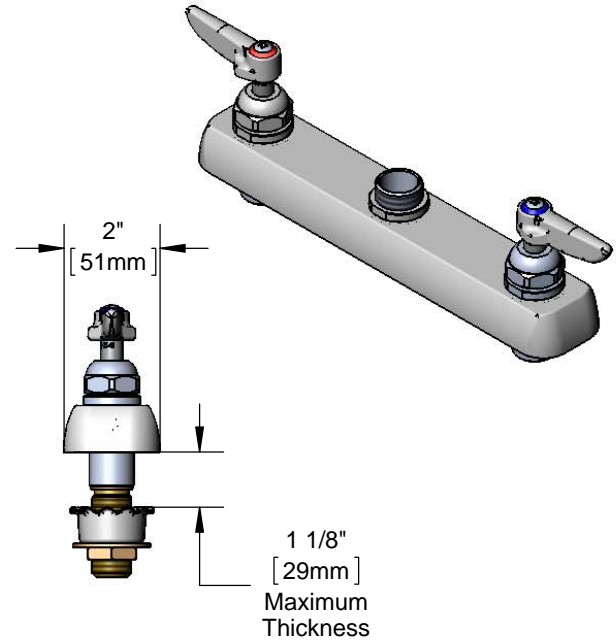
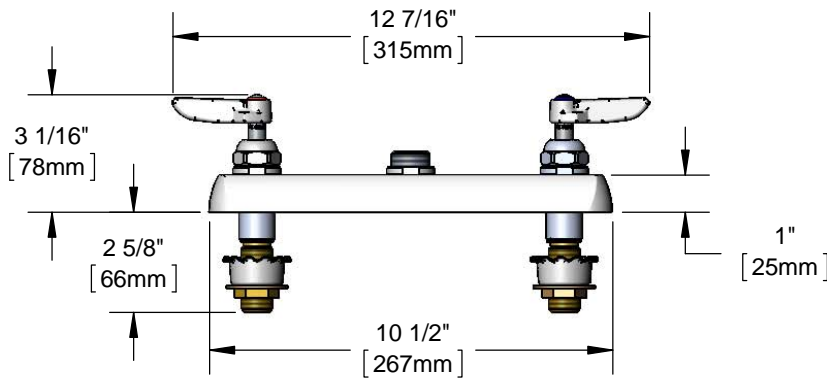
TAG:

Workboard Mixing Faucet

Architect/Engineering Specifications:

8" deck mount mixing faucet with chrome plated brass body, swivel outlet (less nozzle), compression spindles, lever handles, extended 1/2" NPT male inlets, removable brass seats and chrome plated escutcheon. Certified to ASME A112.18.1/CSA B125.1, NSF 61-Section 9 and NSF 372. Meets ADA ANSI/ICC A117.1 requirements.

Job Name _____
 Model Specified _____ Quantity _____
 Variations Specified _____
 Date _____



Features & Benefits:

- 8" deck mount mixing faucet w/ chrome plated brass body
- Swivel outlet accepts standard T&S swing nozzles
- Compression spindles
- Lever handles w/ color coded indexes
- Extended 1/2" NPT male inlets
- Tailpieces and nuts for 1/4" NPT male connections
- Removable brass seats
- Chrome plated escutcheon
- Material: Chrome plated brass body and chrome plated metal handles & escutcheon

Optional Handles

- 4" Wrist Action
- Lever (Standard)
- 4-Arm

Product Compliance:

- ASME A112.18.1 / CSA B125.1
- NSF 61 - Section 9
- NSF 372 (Low Lead Content)
- ANSI A117.1 (ADA)

Warranty: One Year (Limited)

Performance Data:

- Pressure: 20 - 125 psi
- Temperature: 40 °F - 140 °F
- Flow Rate: 11.90 GPM @ 60 psi
(Outlet Device &/or Final Configuration May Reduce Flow Rate)



T&S BRASS AND BRONZE WORKS, INC.



• 2 Saddleback Cove • Travelers Rest, SC 29690
 Ph 800-476-4103 • Fax 864-834-3518
 • Simi Valley, CA • Ph 800-423-0150 • www.tsbrass.com

Date: 04/10/15