



T&S BRASS AND BRONZE WORKS, INC.
 2 Saddleback Cove / P.O. Box 1088
 Travelers Rest, SC 29690

Model No.
B-1115-LN

Item No.

Travelers Rest, SC: 800-476-4103 • Simi Valley, CA: 800-423-0150 • Fax: 864-834-3518 • www.tsbrass.com

This Space for Architect/Engineer Approval

Job Name _____ Date _____

Model Specified _____ Quantity _____

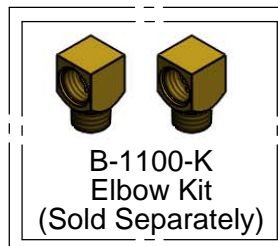
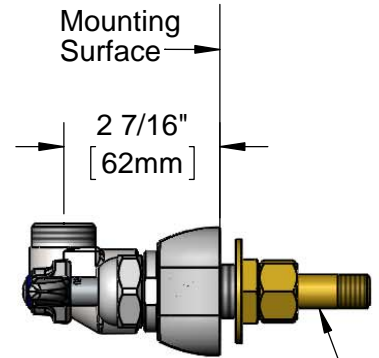
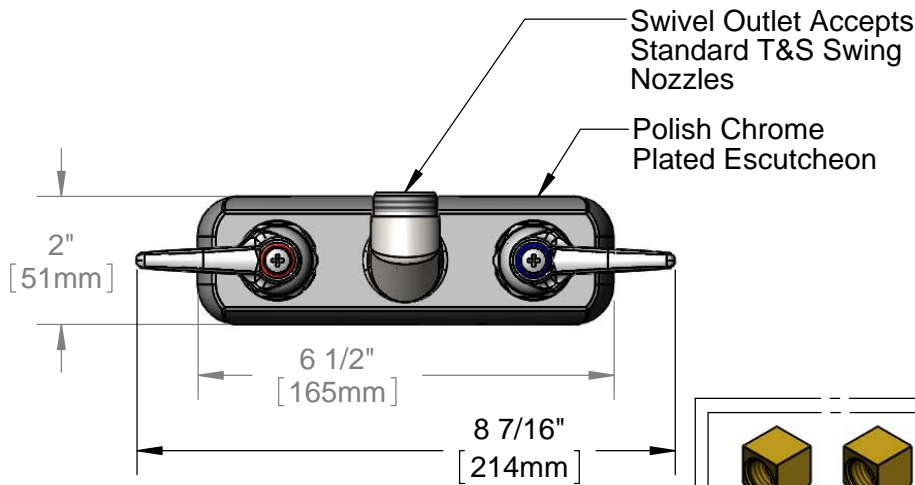
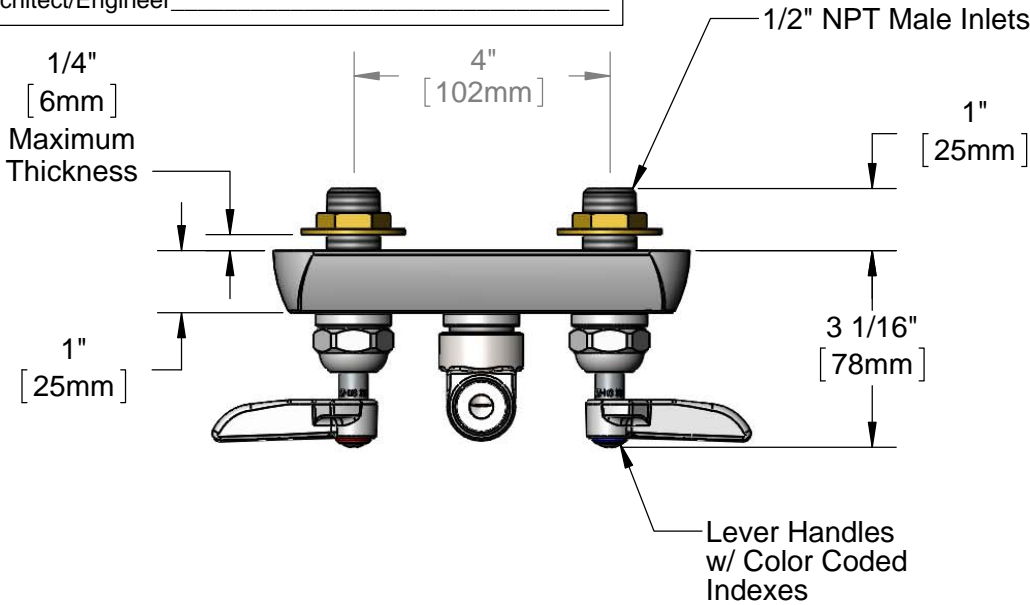
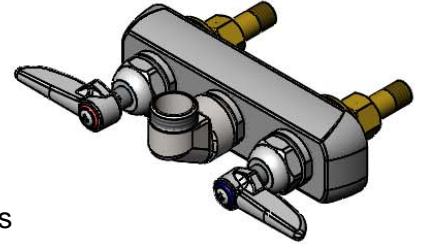
Customer/Wholesaler _____

Contractor _____

Architect/Engineer _____



ADA Compliant



(2) 150A Optional Tailpiece and Nut for 1/4" NPT Connection (Included)

Rough-In Requirement:
 (2) \varnothing 1" [25mm] Mounting Holes

Product Specifications:
 4" Wall Mount Workboard Faucet, Lever Handles & 1/2" NPT Male Inlets, Less Nozzle

Product Compliance:
 ASME A112.18.1 / CSA B125.1
 NSF 61 - Section 9
 NSF 372 (Low Lead Content)
 ANSI A117.1 (ADA)



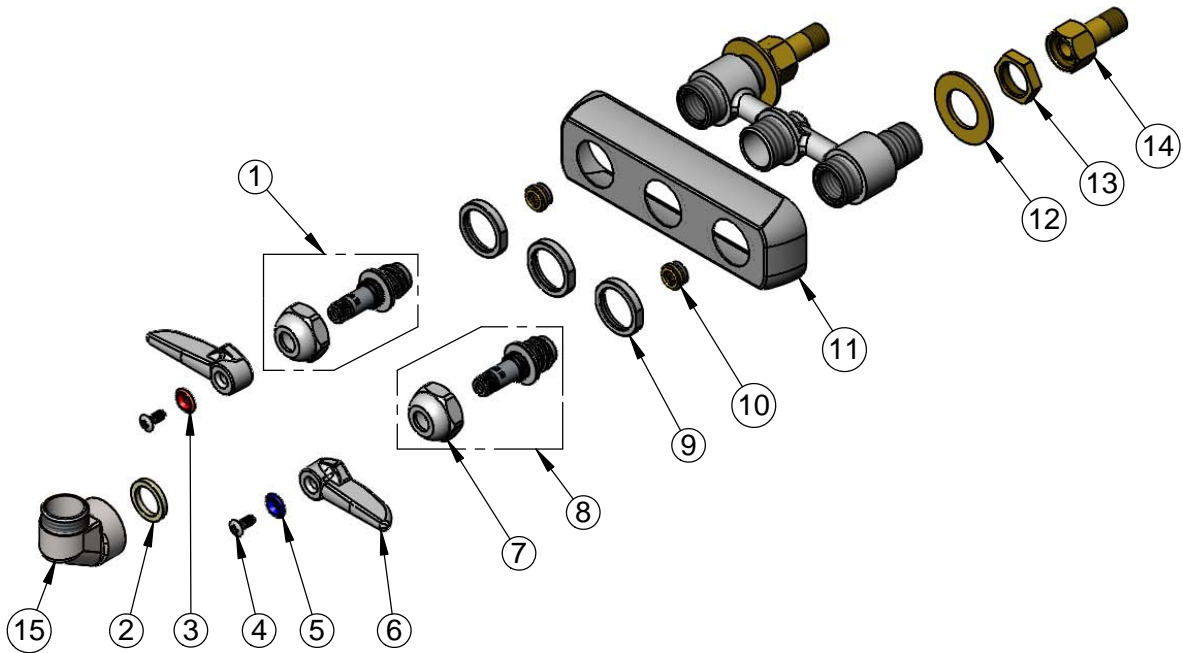
T&S BRASS AND BRONZE WORKS, INC.
 2 Saddleback Cove / P.O. Box 1088
 Travelers Rest, SC 29690

Model No.
B-1115-LN

Item No.

Travelers Rest, SC: 800-476-4103 • Simi Valley, CA: 800-423-0150 • Fax: 864-834-3518 • www.tsbrass.com

ITEM NO.	SALES NO.	DESCRIPTION
1	009754-25	B-1100 Spindle, LTC
2	001017-45	Washer
3	001661-45	Red Index - HW
4	000922-45	Lever Handle Screw
5	001660-45	Blue Index - CW
6	001638-45	Lever Handle
7	009749-25	Bonnet Nut
8	009753-25	B-1100 Spindle, RTC
9	000712-25	Escutcheon Lock Nut
10	000763-20	Seat
11	001258-40	Escutcheon
12	000999-45	Brass Lock Washer
13	002954-45	Shank Lock Nut
14	150A	1/4" NPT Tailpiece & Nut
15	000082-40	B-1100 Knob



Product Specifications:

4" Wall Mount Workboard Faucet, Lever Handles & 1/2" NPT Male Inlets, Less Nozzle

Product Compliance:

ASME A112.18.1 / CSA B125.1
 NSF 61 - Section 9
 NSF 372 (Low Lead Content)
 ANSI A117.1 (ADA)