



T&S BRASS AND BRONZE WORKS, INC.

2 SADDLEBACK COVE / P.O. BOX 1088 / TRAVELERS REST, SC 29690

PHONE 800-476-4103

FAX 864- 834-3518



REG.#A2601  
ISO #9002

Model No.

B-1020

Item No.:

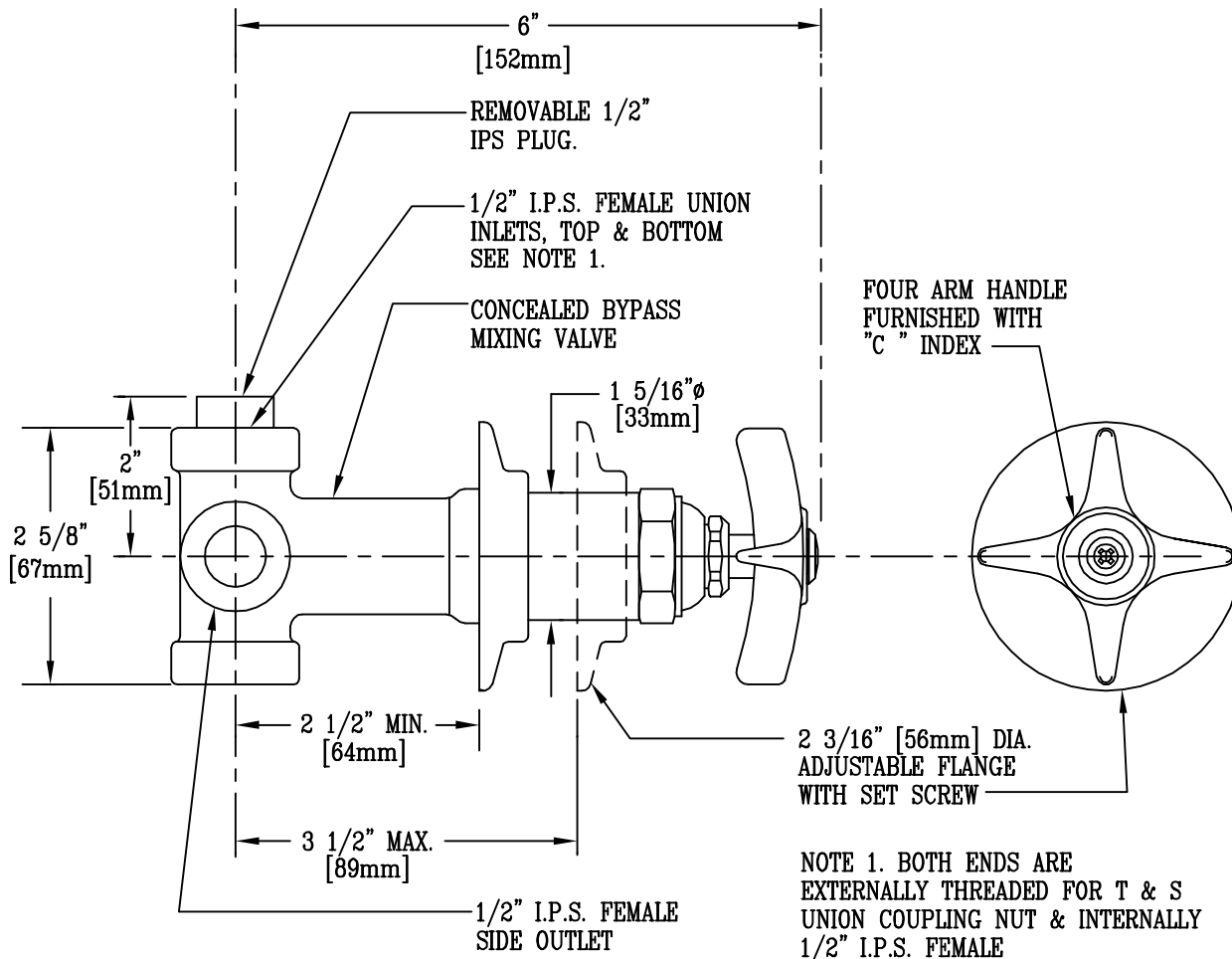
Job Name:

Architect/Engineer Approval:

Notes:



ADA COMPLIANT



Product Description:  
CONCEALED BYPASS MIXING VALVE,  
WITH 1/2" NPT FEMALE UNION INLET,  
& FOUR ARM HANDLE INDEXED "C".

Drawn:

WJS

Checked

SCM

Scale:

6" = 1'

Approved

CA

Date:

8/21/95



T&S BRASS AND BRONZE WORKS, INC.

2 SADDLEBACK COVE / P.O. BOX 1088 / TRAVELERS REST, SC 29690

PHONE 800-476-4103

FAX 803-834-3518



REG.#A2601  
ISO #9002

Model No.

B-1020-1

Item No.:

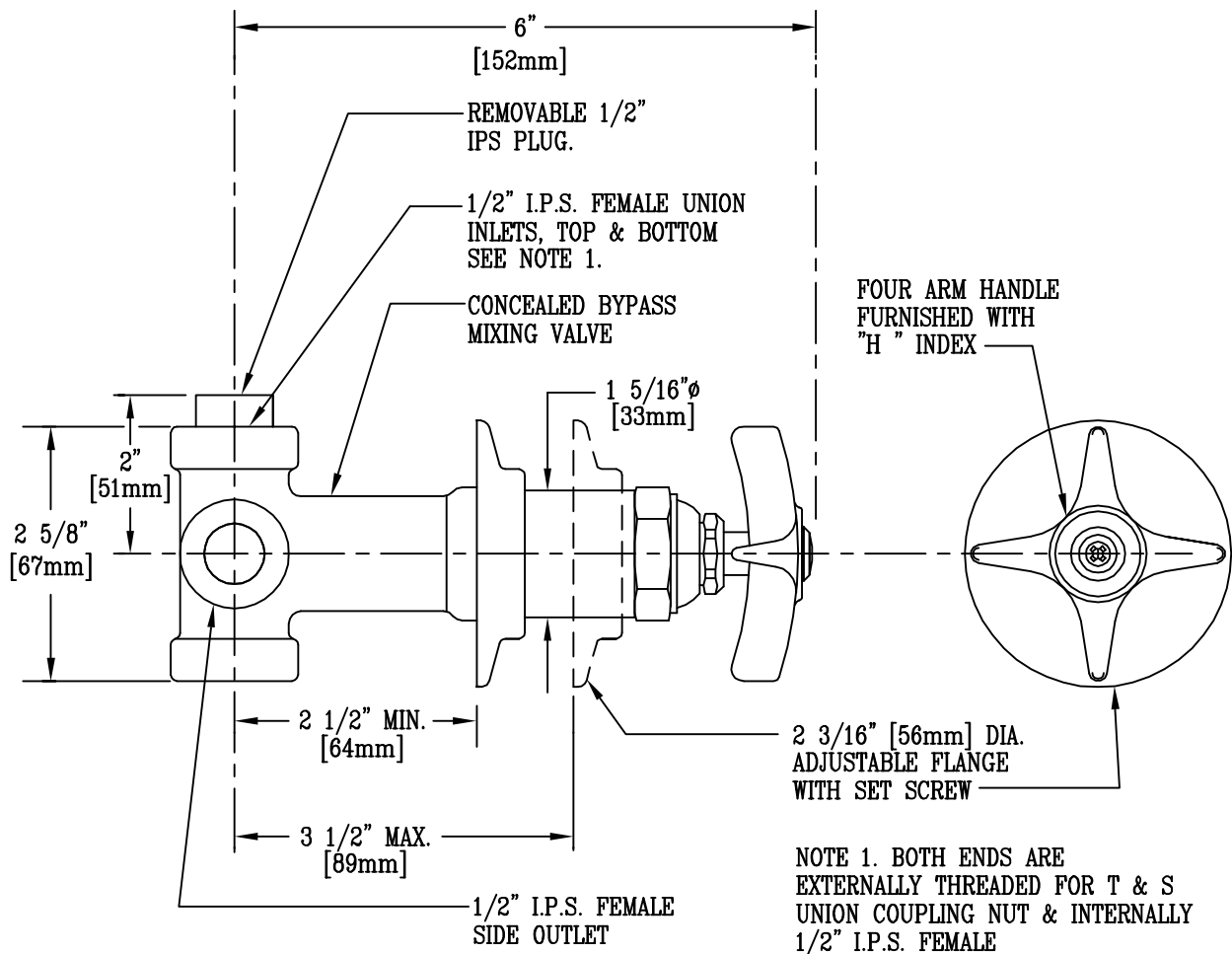
Job Name:

Architect/Engineer Approval:

Notes:



ADA COMPLIANT



Product Description:

CONCEALED BYPASS MIXING VALVE,  
WITH 1/2" I.P.S. FEMALE UNION INLET  
INDEXED "H", & FOUR ARM HANDLE

Drawn:

WJS

Approved

CA

Checked

SCM

Scale:

6" = 1'

Date:

8/21/95