



T&S BRASS AND BRONZE WORKS, INC.

2 Saddleback Cove / P.O. Box 1088
Travelers Rest, SC 29690

Model No.

B-0963

Item No.

Travelers Rest, SC: 800-476-4103 • Simi Valley, CA: 800-423-0150 • Fax: 864-834-3518 • www.tsbrass.com

This Space for Architect/Engineer Approval

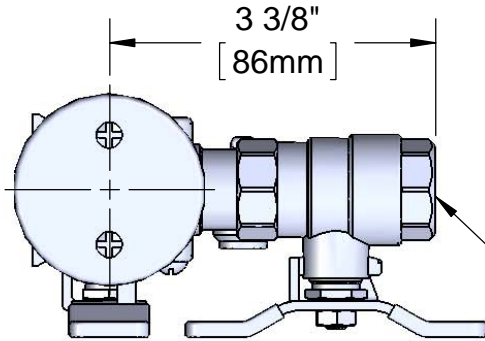
Job Name _____ Date _____

Model Specified _____ Quantity _____

Customer/Wholesaler _____

Contractor _____

Architect/Engineer _____



1/2" NPT
Female Outlet

Repair Kit For This
Model is Available
as B-0963-RK

Always Install Vacuum
Breaker in Upright
Position (As Shown)

Ø 2"
[51mm]

Bleeder
Screw

Test
Cock

(2) 1/4 Turn
Shutoff Valve

4 3/16"
[106mm]

5 11/16"
[145mm]

1/2" NPT
Female Inlet

Product Specifications:

Continuous Pressure Vacuum Breaker, 1/4 Turn Ball Valves, Bleeder Screw, Test Cock & 1/2" NPT Female Inlet & Outlet

Product Compliance:

ASME A112.18.1 / CSA B125.1
NSF 61 - Section 9
NSF 372 (Low Lead Content)
ASSE 1056 (VB)