



T&S BRASS AND BRONZE WORKS, INC.
 2 SADDLEBACK COVE / P.O. BOX 1088 / TRAVELERS REST, SC 29690
 PHONE 800-476-4103 FAX 864- 834-3518



Model No.

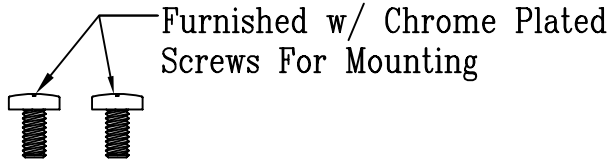
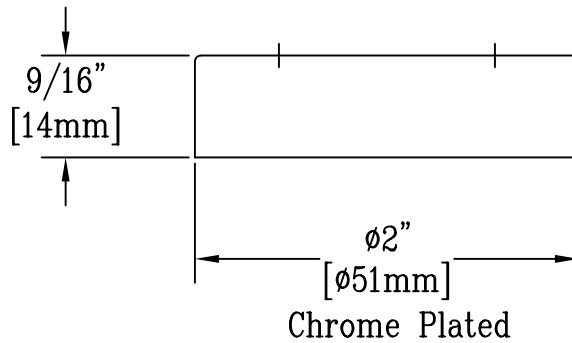
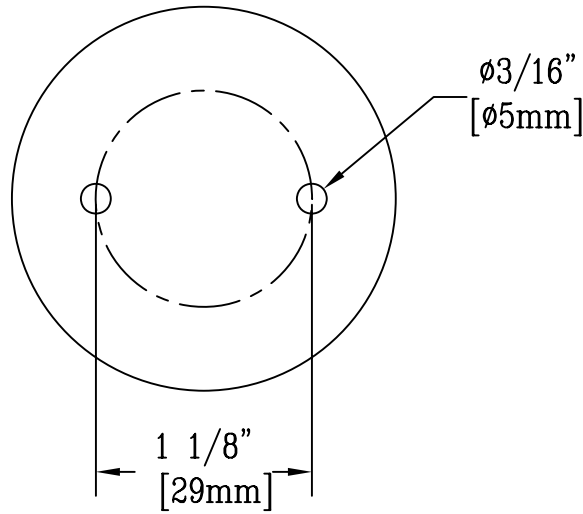
B-0963-HA

Item No.:

Job Name:

Architect/Engineer Approval:

Notes:



Product Description:
 B-0963 Vacuum Breaker
 Hood Assembly

Drawn:

KJG

Checked

DHL

Scale:

1 : 1

Approved

JHB

Date:

5/15/08