



# T&S BRASS AND BRONZE WORKS, INC.

2 Saddleback Cove / P.O. Box 1088  
Travelers Rest, SC 29690

Model No.

**B-0950**

Item No.

Travelers Rest, SC: 800-476-4103 • Simi Valley, CA: 800-423-0150 • Fax: 864-834-3518 • www.tsbrass.com

This Space for Architect/Engineer Approval

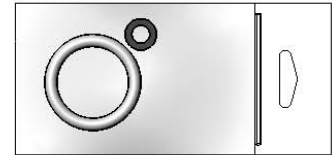
Job Name \_\_\_\_\_ Date \_\_\_\_\_

Model Specified \_\_\_\_\_ Quantity \_\_\_\_\_

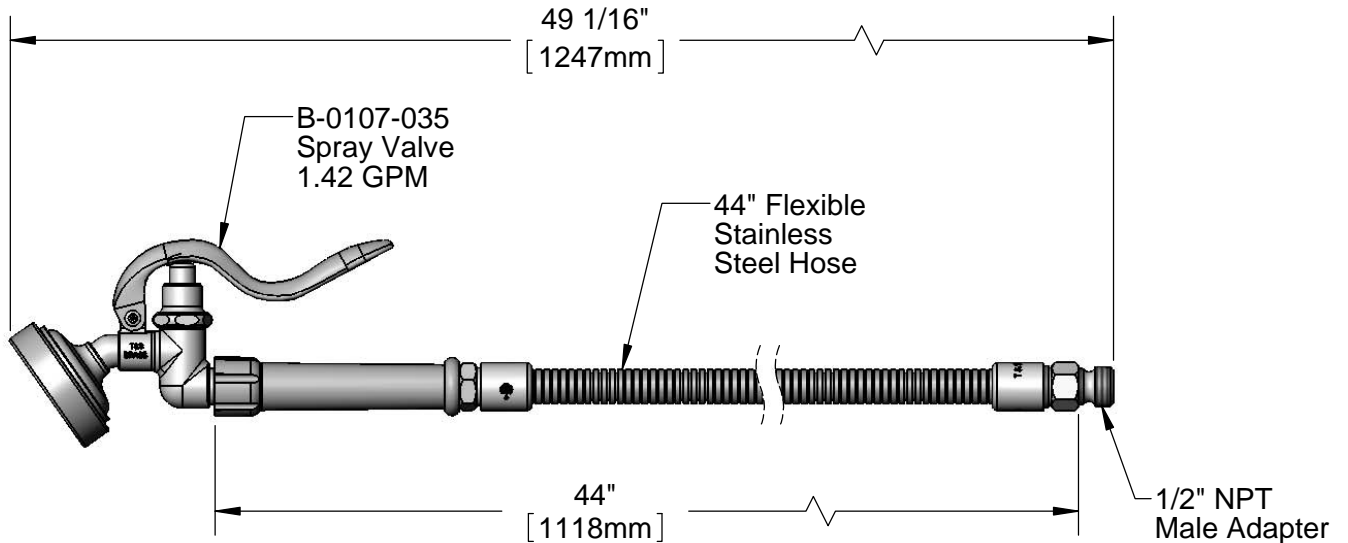
Customer/Wholesaler \_\_\_\_\_

Contractor \_\_\_\_\_

Architect/Engineer \_\_\_\_\_



Hold Down Ring  
& Washer  
(Included)



**Product Specifications:**

B-0107-035 Spray Valve w/ 44" Flexible Stainless Steel Hose & Adapter

**Product Compliance:**

ASME A112.18.1 / CSA B125.1  
NSF 61 - Section 9  
NSF 372 (Low Lead Content)  
EPA Act 2005 (PRSV)



# T&S BRASS AND BRONZE WORKS, INC.

2 Saddleback Cove / P.O. Box 1088  
Travelers Rest, SC 29690

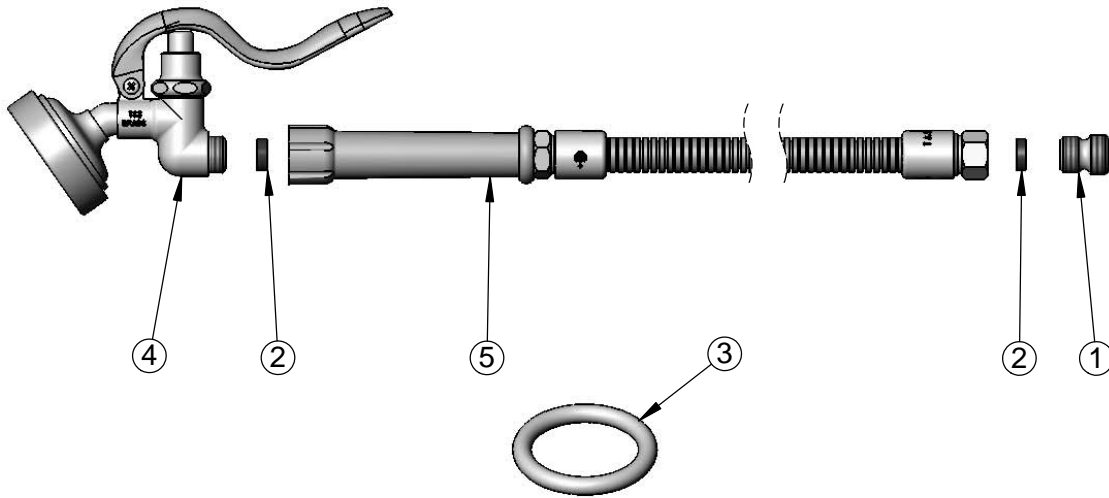
Model No.

**B-0950**

Item No.

Travelers Rest, SC: 800-476-4103 • Simi Valley, CA: 800-423-0150 • Fax: 864-834-3518 • www.tsbrass.com

ITEM NO.	SALES NO.	DESCRIPTION
1	055A	Adapter, 1/2 NPT Male
2	010476-45	#27 Washer
3	000907-45	Spray Valve Hold Down Ring
4	B-0107-035	1.42 GPM Angled Spray Valve
5	B-0044-H	44" Flexible Stainless Steel Hose w/ Handle



**Product Specifications:**

B-0107-035 Spray Valve w/ 44" Flexible Stainless Steel Hose & Adapter

**Product Compliance:**

ASME A112.18.1 / CSA B125.1  
NSF 61 - Section 9  
NSF 372 (Low Lead Content)  
EPA Act 2005 (PRSV)



**T&S BRASS AND BRONZE WORKS, INC.**  
 2 SADDLEBACK COVE / P.O. BOX 1088 / TRAVELERS REST, SC 29690  
 PHONE 800-476-4103 FAX 864- 834-3518



Model No.

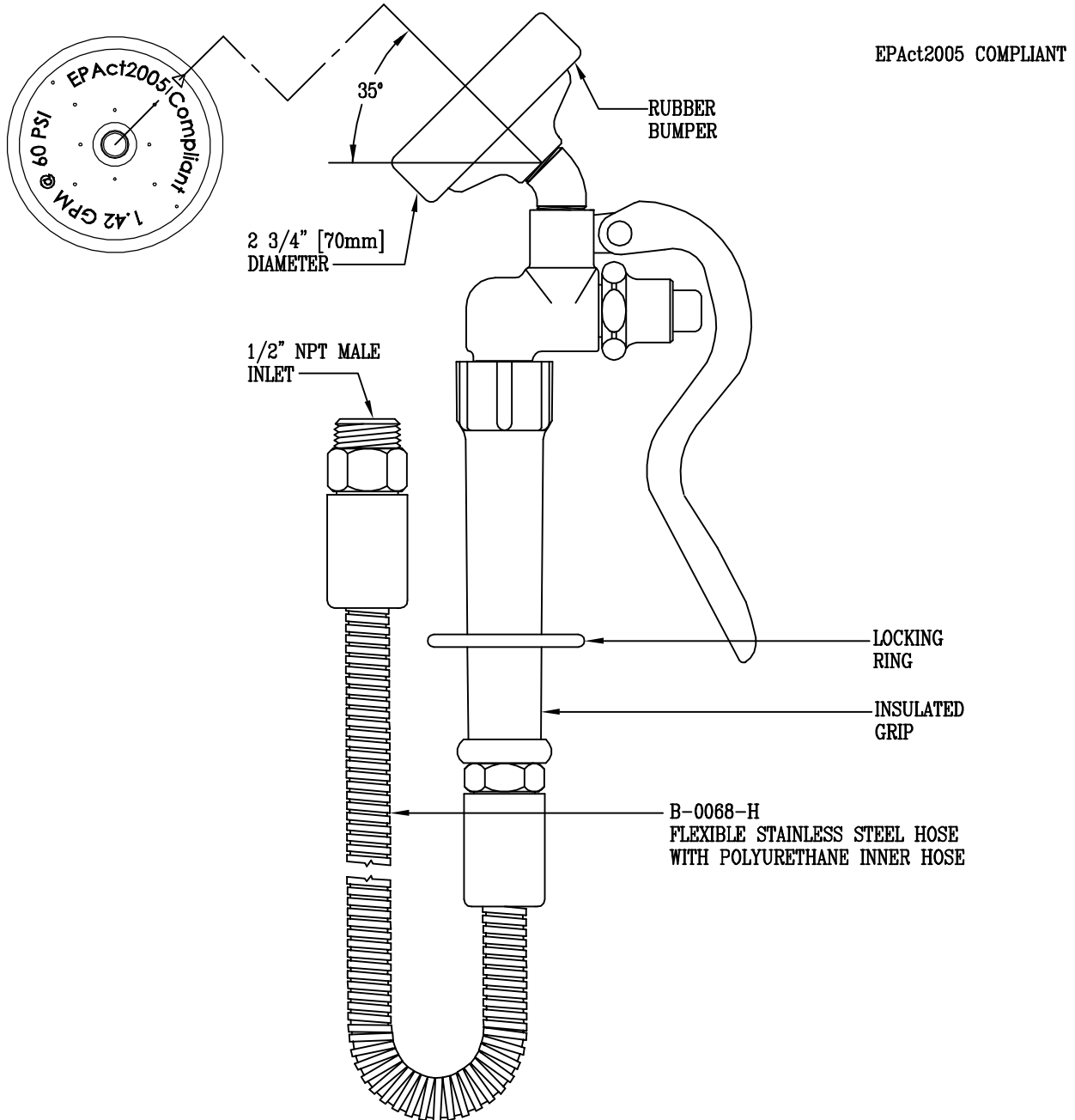
B-0950-01

Item No.:

Job Name:

Architect/Engineer Approval:

Notes:



Product Description:

PRE-RINSE UNIT: FLEXIBLE STAINLESS STEEL HOSE WITH SELF-CLOSING ANGLE SPRAY VALVE, 1/2" IPS MALE INLET, 72" OVERALL LENGTH

Drawn:

GEF

Checked

WJS

Scale:

1 : 2

Approved

JHB

Date:

02/21/06



**T&S BRASS AND BRONZE WORKS, INC.**

2 Saddleback Cove / P.O. Box 1088  
Travelers Rest, SC 29690

Model No.

**B-0950-54H**

Item No.

Travelers Rest, SC: 800-476-4103 • Simi Valley, CA: 800-423-0150 • Fax: 864-834-3518 • www.tsbrass.com

This Space for Architect/Engineer Approval

Job Name \_\_\_\_\_ Date \_\_\_\_\_

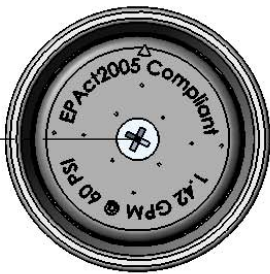
Model Specified \_\_\_\_\_ Quantity \_\_\_\_\_

Customer/Wholesaler \_\_\_\_\_

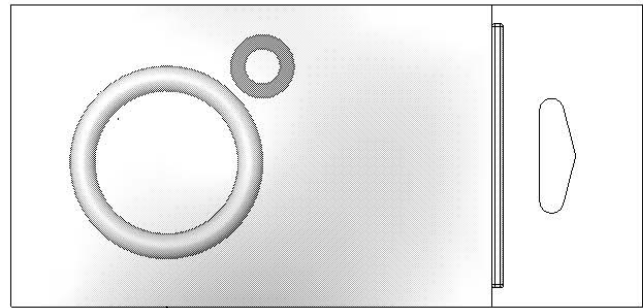
Contractor \_\_\_\_\_

Architect/Engineer \_\_\_\_\_

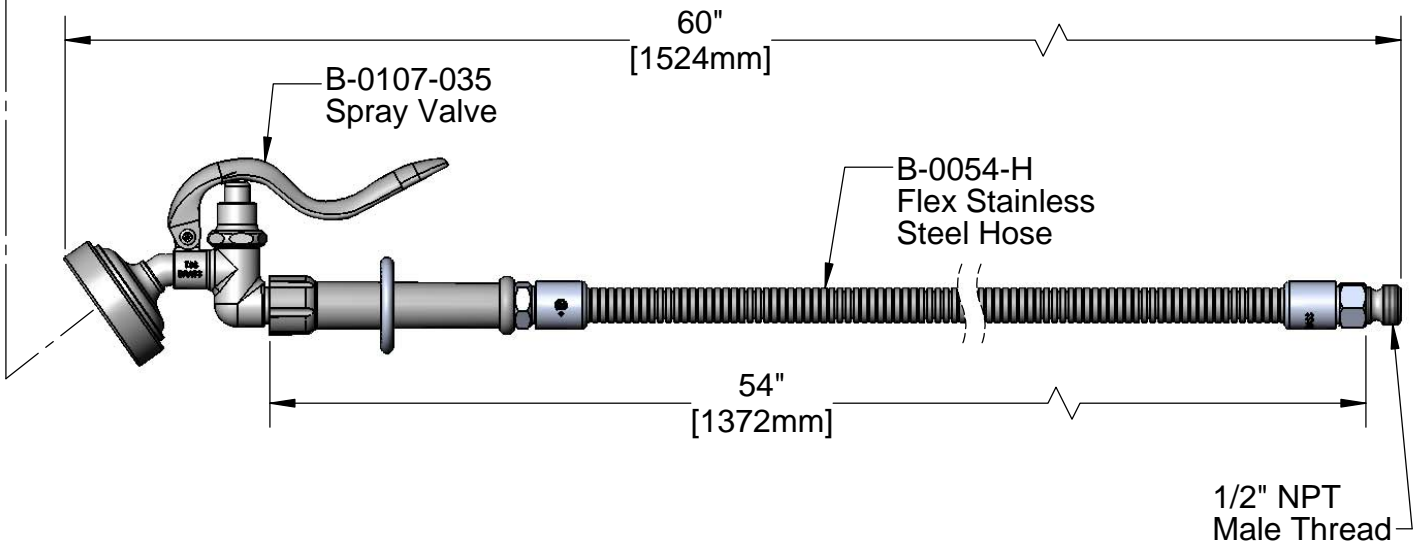
**EPAct2005 COMPLIANT**



Spray Face



Hold Down Ring w/  
Hose Washer



Note: Modified Lengths Available Upon Request

Product Specifications:  
B-0107-035 Spray Valve w/ B-0054-H Flex Hose

Drawn <b>KJG</b>	Checked <b>GEF</b>	Approved <b>JHB</b>
Scale: <b>1:4</b>		Date: <b>12/20/11</b>



**T&S BRASS AND BRONZE WORKS, INC.**

2 Saddleback Cove / P.O. Box 1088  
 Travelers Rest, SC 29690

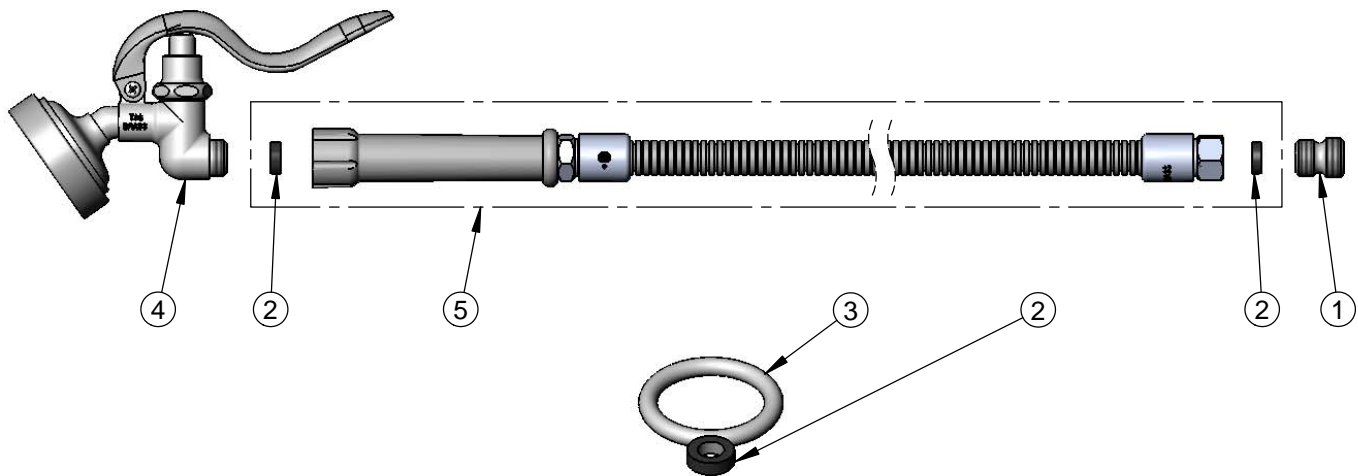
Model No.

**B-0950-54H**

Item No.

Travelers Rest, SC: 800-476-4103 • Simi Valley, CA: 800-423-0150 • Fax: 864-834-3518 • www.tsbrass.com

ITEM NO.	SALES NO.	DESCRIPTION
1	055A	Adapter, 1/2 NPT Male
2	010476-45	#27 Washer
3	000907-45	Spray Valve Hold Down Ring
4	B-0107-035	Spray Valve Assembly
5	B-0054-H	54" SS Flex Hose Assembly



Product Specifications:  
 B-0107-035 Spray Valve w/ B-0054-H Flex Hose

Drawn

**KJG**

Checked

**GEF**

Approved

**JHB**

Scale:

**NTS**

Date:

**12/20/11**



**T&S BRASS AND BRONZE WORKS, INC.**  
 2 SADDLEBACK COVE / P.O. BOX 1088 / TRAVELERS REST, SC 29690  
 PHONE 800-476-4103 FAX 864-834-3518



Model No.

B-0950-VB

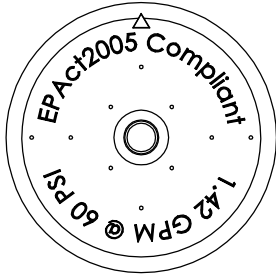
Item No.:

Job Name:

Architect/Engineer Approval:

Notes:

EPAct2005 COMPLIANT



1/2" NPT MALE INLET

11" [279mm]

B-0970-FE CONTINUOUS PRESSURE VACUUM BREAKER

FLEX. ST. STEEL HOSE w/ POLYURETHANE INNER HOSE

72" [1828mm] OVERALL LENGTH

Product Description:

B-950 HOSE w/ B-970-FE VACUUM BREAKER, 72" OVERALL LENGTH AND SPRAY VALVE

Drawn:

RJK

Approved

JHB

Checked

JRM

Scale:

1 : 4

Date:

01-04-06



**T&S BRASS AND BRONZE WORKS, INC.**  
 2 SADDLEBACK COVE / P.O. BOX 1088 / TRAVELERS REST, SC 29690  
 PHONE 800-476-4103 FAX 864- 834-3518



Model No.

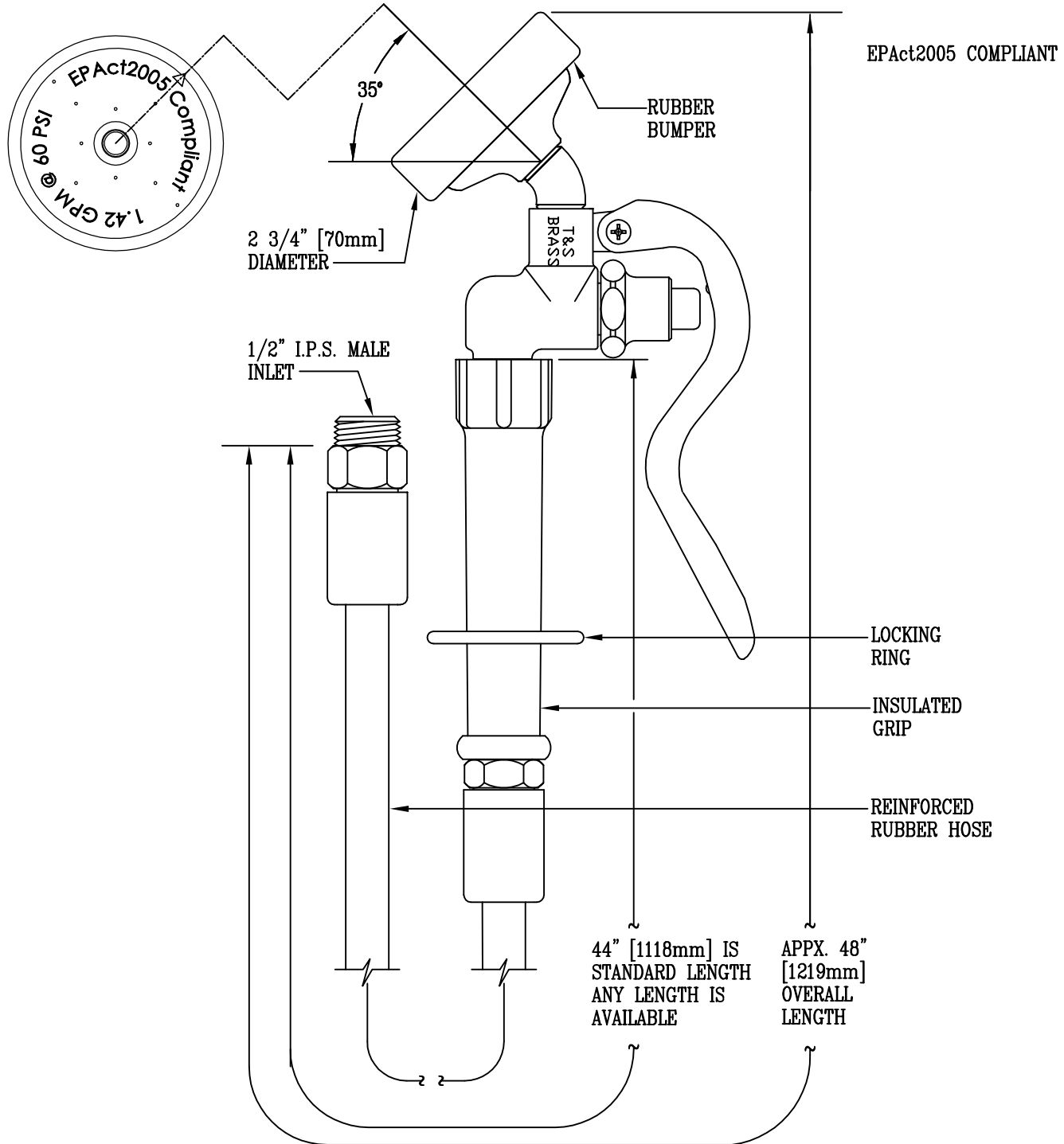
B-0956

Item No.:

Job Name:

Architect/Engineer Approval:

Notes:



Product Description:  
 PRE-RINSE UNIT: 3'-0" REINFORCED RUBBER HOSE WITH SELF-CLOSING ANGLE SPRAY VALVE, 1/2" IPS MALE INLET, 4'-0" OVERALL LENGTH

Drawn:

RJK

Checked

JRM

Scale:

6" - 1'

Approved

JHB

Date:

01-04-06



**T&S BRASS AND BRONZE WORKS, INC.**  
 2 SADDLEBACK COVE / P.O. BOX 1088 / TRAVELERS REST, SC 29690  
 PHONE 800-476-4103 FAX 803- 834-3518



Model No.

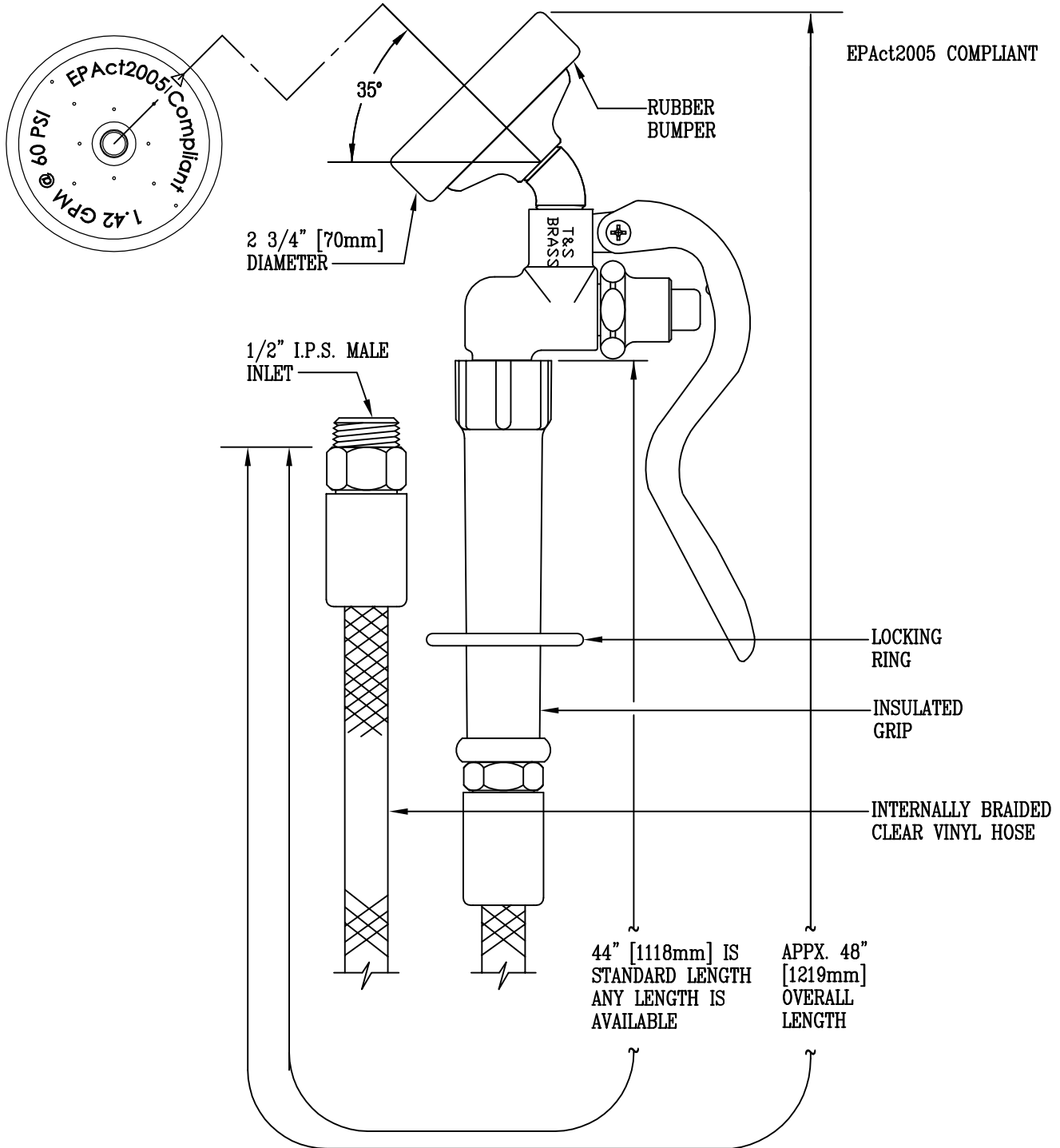
B-0958

Item No.:

Job Name:

Architect/Engineer Approval:

Notes:



Product Description:  
 PRE-RINSE UNIT: 3'-0" INTERNALLY BRAIDED CLEAR VINYL HOSE WITH SELF CLOSING ANGLE SPRAY VALVE, 1/2" IPS MALE INLET, 4'-0" OVERALL LENGTH

Drawn:

RJK

Approved

JHB

Checked

JRM

Scale:

6" = 1'

Date:

01-04-06