



T&S BRASS AND BRONZE WORKS, INC.
 2 SADDLEBACK COVE / P.O. BOX 1088 / TRAVELERS REST, SC 29690
 PHONE 800-476-4103 FAX 864- 834-3518



Model No.
 B-0836-01
 Item No.:

Job Name:

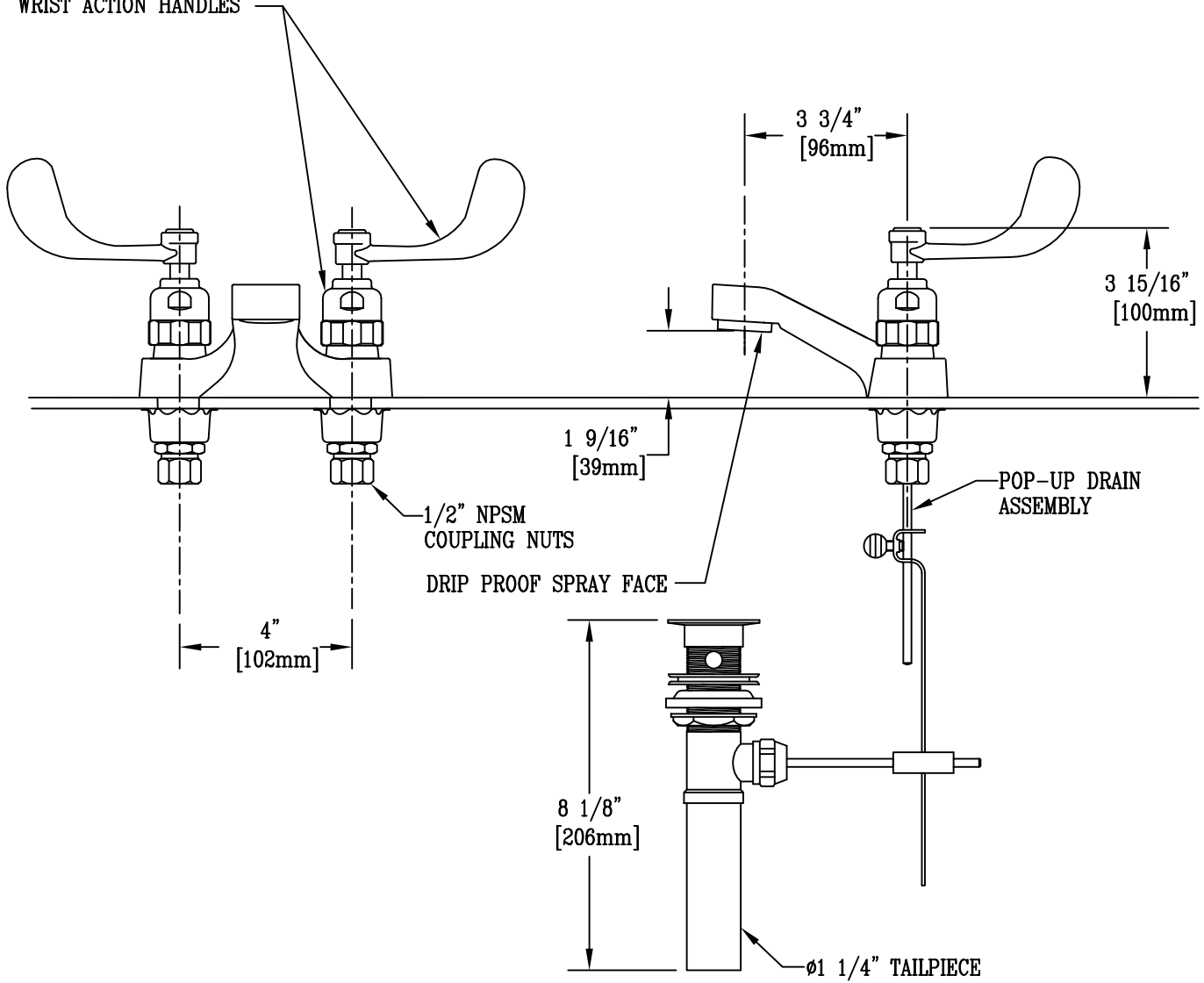
Architect/Engineer Approval:

Notes:



ADA COMPLIANT

WRIST ACTION METERING
 CARTRIDGES w/ B-WH4 4"
 WRIST ACTION HANDLES



Product Description:
 4" CENTERSET METERING & MIXING FAUCET WITH
 POP-UP DRAIN, DRIP PROOF SPRAY FACE, 1/2" NPSM CPLG. NUTS,
 & WRIST ACTION METERING CARTRIDGES w/ 4" WRIST ACTION HANDLES

Drawn: WJS	Checked JRM	Scale: 1:4
Approved JHB		Date: 01/08/07



T&S BRASS AND BRONZE WORKS, INC.
 2 SADDLEBACK COVE / P.O. BOX 1088 / TRAVELERS REST, SC 29690
 PHONE 800-476-4103 FAX 864-834-3518



Model No.

B-0837-01

Item No.:

Job Name:

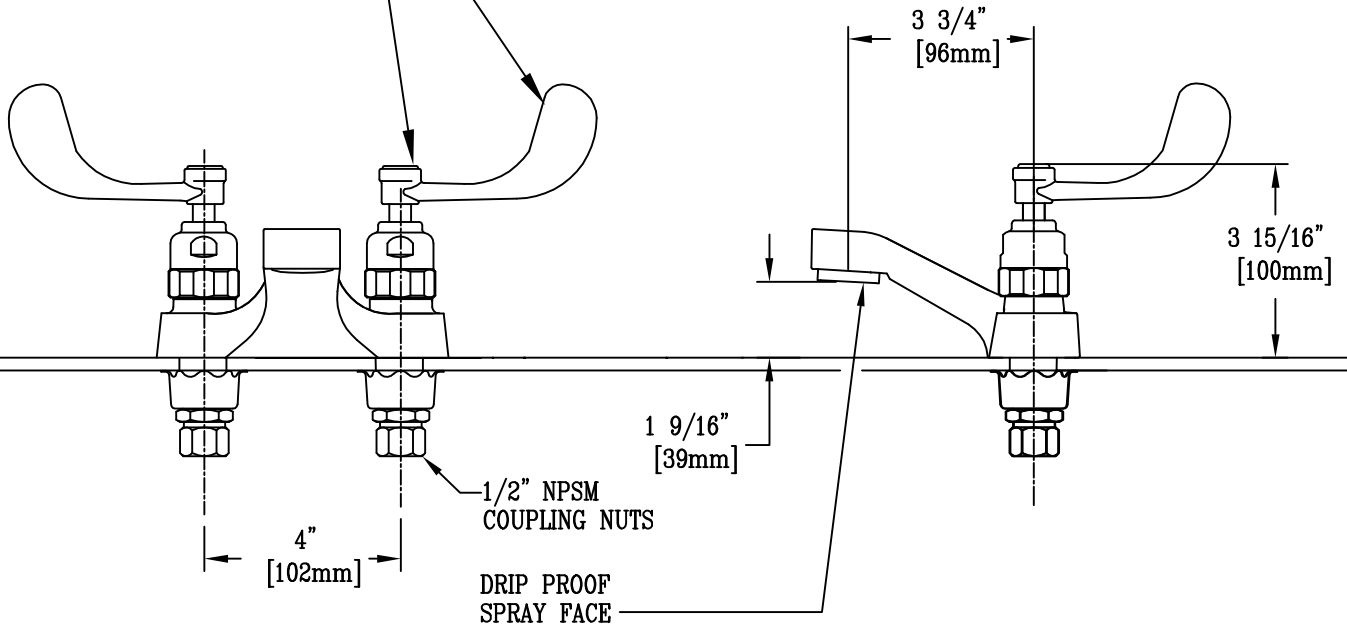
Architect/Engineer Approval:

Notes:



ADA COMPLIANT

WRIST ACTION METERING
 CARTRIDGES w/ B-WH4 4"
 WRIST ACTION HANDLES



Product Description:

4" CENTERSET METERING & MIXING FCT w/
 1/2" NPSM CPLG. NUTS, DRIP PROOF SPRAY FACE,
 & WRIST ACTION METERING CARTRIDGES w/ 4" WRIST ACTION HANDLES

Drawn:

WJS

Checked

JRM

Scale:

1:4

Approved

JHB

Date:

01/08/07