



T&S BRASS AND BRONZE WORKS, INC.

2 Saddleback Cove / P.O. Box 1088
Travelers Rest, SC 29690

Model No.

B-0807-01

Item No.

Travelers Rest, SC: 800-476-4103 • Simi Valley, CA: 800-423-0150 • Fax: 864-834-3518 • www.tsbrass.com

This Space for Architect/Engineer Approval

Job Name _____ Date _____

Model Specified _____ Quantity _____

Customer/Wholesaler _____

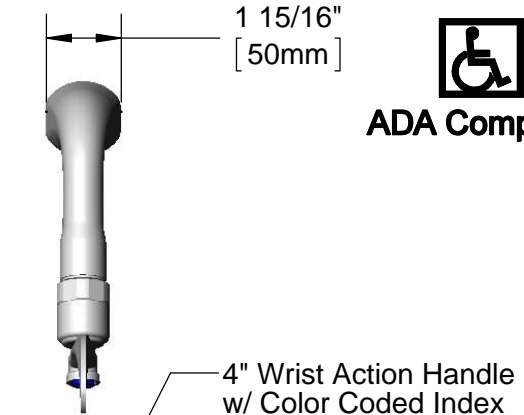
Contractor _____

Architect/Engineer _____

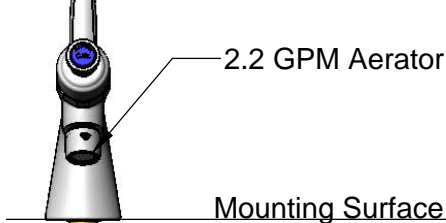
1 15/16"
[50mm]



ADA Compliant

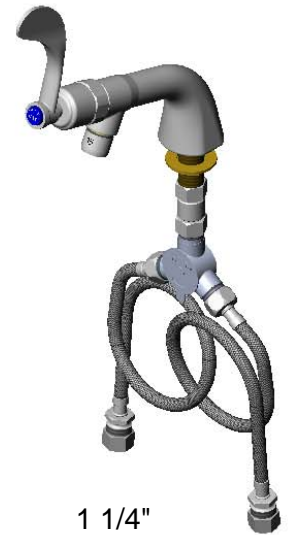
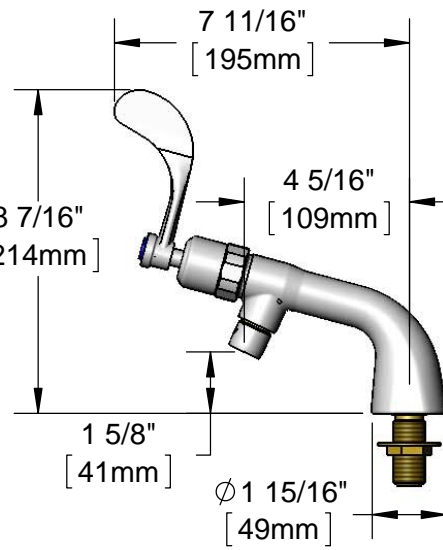


4" Wrist Action Handle w/ Color Coded Index & Metering Cartridge. Remove Handle Screw to Access Metering Adjustment. (Metering Adjustment Requires 3/32" Hex Key)

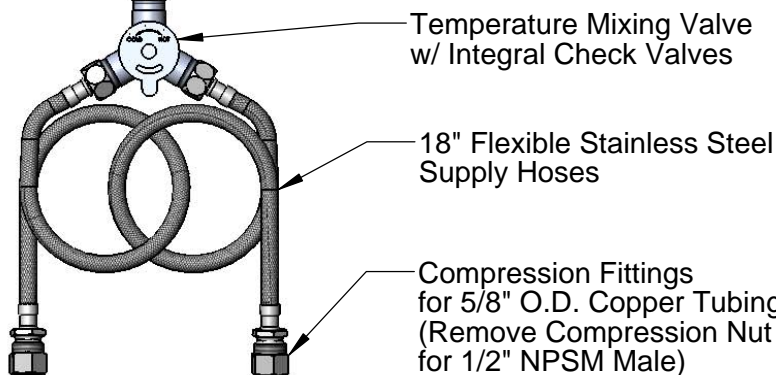


2.2 GPM Aerator

Mounting Surface



1 1/4"
[32mm]
Maximum Thickness



Temperature Mixing Valve w/ Integral Check Valves

18" Flexible Stainless Steel Supply Hoses

Compression Fittings for 5/8" O.D. Copper Tubing (Remove Compression Nut for 1/2" NPSM Male)

Rough-In Requirement:
Ø1" [25mm] Mounting Hole

Product Specifications:

Single Hole, Single Temperature Deck Mount Faucet, Wrist Action Metering Cartridge, 4" Wrist Action Handle, 2.2 GPM Aerator, Temperature Control Mixing Valve w/ Integral Check Valves & 18" Flexible Stainless Steel Supply Hoses w/ 1/2" NPSM Male Inlets

Product Compliance:

ASME A112.18.1 / CSA B125.1
NSF 61 - Section 9
NSF 372 (Low Lead Content)
ANSI A117.1 (ADA)



T&S BRASS AND BRONZE WORKS, INC.

2 Saddleback Cove / P.O. Box 1088
Travelers Rest, SC 29690

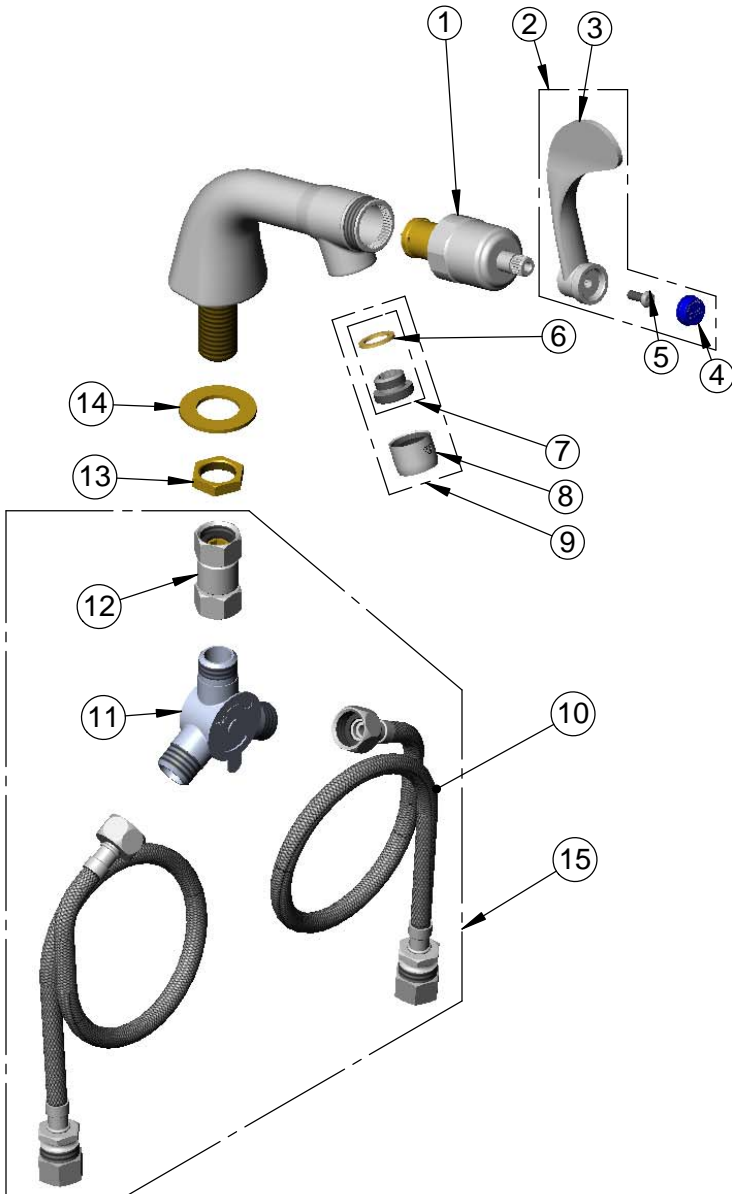
Model No.

B-0807-01

Item No.

Travelers Rest, SC: 800-476-4103 • Simi Valley, CA: 800-423-0150 • Fax: 864-834-3518 • www.tsbrass.com

ITEM NO.	SALES NO.	DESCRIPTION
1	012449-40	Wrist Action Metering Cartridge
2	B-WH4C	4" Wrist Action Handle, Screw & Cold Index
3	B-WH4	4" Wrist Action Handle
4	001686-45	Blue Index - CW
5	000925-45	Lab Handle Screw
6	001043-45	Washer
7	044A	3/8" to Aerator Adapter
8	B-0199-01	2.2 GPM Aerator, 55/64"-27 UN Female
9	B-0199-02	2.2 GPM Aerator, 3/8" NPSM Male
10	019192-45	Flexible Connector Hose (2)
11	5EF-0006	Mechanical Mixing Valve
12	017506-45	1/2" NPSM Swivel Coupling
13	002954-45	Shank Lock Nut
14	000999-45	Brass Lock Washer
15	019321-40	Temperature Control Mixing Valve w/ Flexible 1/2" NPSM Male Inlets



Product Specifications:

Single Hole, Single Temperature Deck Mount Faucet, Wrist Action Metering Cartridge, 4" Wrist Action Handle, 2.2 GPM Aerator, Temperature Control Mixing Valve w/ Integral Check Valves & 18" Flexible Stainless Steel Supply Hoses w/ 1/2" NPSM Male Inlets

Product Compliance:

ASME A112.18.1 / CSA B125.1
NSF 61 - Section 9
NSF 372 (Low Lead Content)
ANSI A117.1 (ADA)



T&S BRASS AND BRONZE WORKS, INC.
 2 Saddleback Cove / P.O. Box 1088
 Travelers Rest, SC 29690

Model No.
B-0842

Item No.

Travelers Rest, SC: 800-476-4103 • Simi Valley, CA: 800-423-0150 • Fax: 864-834-3518 • www.tsbrass.com

This Space for Architect/Engineer Approval

Job Name _____ Date _____

Model Specified _____ Quantity _____

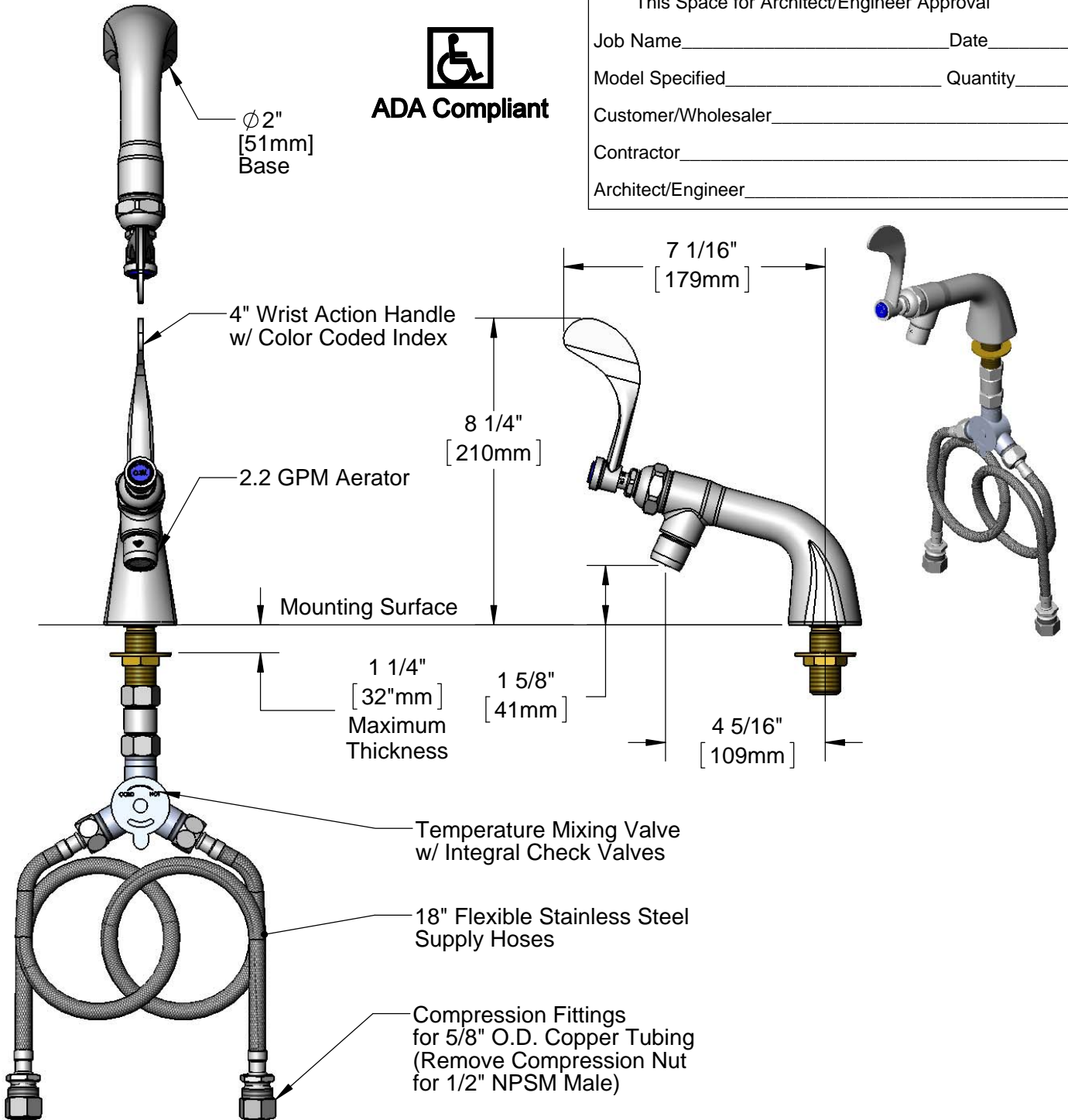
Customer/Wholesaler _____

Contractor _____

Architect/Engineer _____



ADA Compliant



Rough-In Requirement:
 Ø 1" [25mm] Mounting Hole

Product Specifications:
 Single Temperature Deck Mount Faucet, Eterna Cartridge,
 4" Wrist Action Handle, 2.2 GPM Aerator, Temperature Control
 Mixing Valve w/ Integral Check Valves & 18" Flexible Stainless
 Steel Supply Hoses w/ 1/2" NPSM Male Inlets

Product Compliance:
 ASME A112.18.1 / CSA B125.1
 NSF 61 - Section 9
 NSF 372 (Low Lead Content)
 ANSI A117.1 (ADA)



T&S BRASS AND BRONZE WORKS, INC.

2 Saddleback Cove / P.O. Box 1088
Travelers Rest, SC 29690

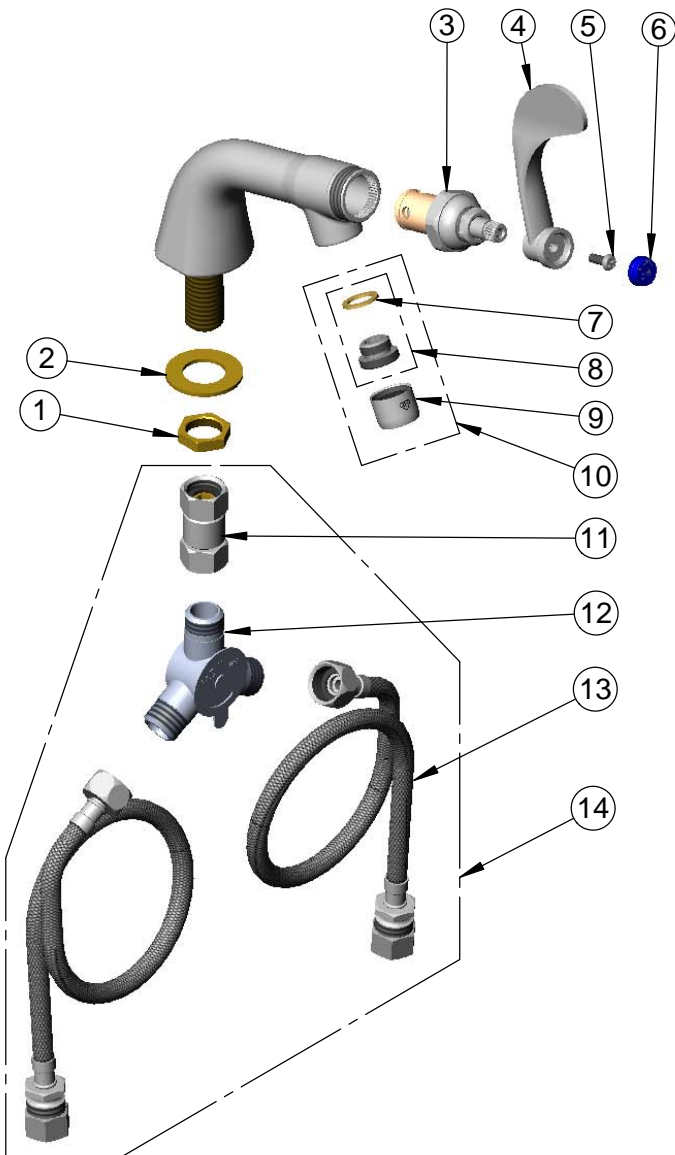
Model No.

B-0842

Item No.

Travelers Rest, SC: 800-476-4103 • Simi Valley, CA: 800-423-0150 • Fax: 864-834-3518 • www.tsbrass.com

ITEM NO.	SALES NO.	DESCRIPTION
1	002954-45	Shank Lock Nut
2	000999-45	Brass Lock Washer
3	006010-40	Eterna Cartridge, RTC (Teflon)
4	B-WH4	4" Wrist Action Handle
5	000925-45	Lab Handle Screw
6	001686-45	Blue Index - CW
7	001043-45	Washer
8	044A	3/8" to Aerator Adapter
9	B-0199-01	2.2 GPM Aerator, 55/64"-27 UN Female
10	B0199-02	Aerator, 2.2 GPM, 3/8" NPSM
11	017506-45	1/2" NPSM Swivel Coupling
12	5EF-0006	Mechanical Mixing Valve
13	019192-45	Flexible Connector Hose (2)
14	019321-40	Temperature Control Mixing Valve w/ Flexible 1/2" NPSM Male Inlets



Product Specifications:

Single Temperature Deck Mount Faucet, Eterna Cartridge, 4" Wrist Action Handle, 2.2 GPM Aerator, Temperature Control Mixing Valve w/ Integral Check Valves & 18" Flexible Stainless Steel Supply Hoses w/ 1/2" NPSM Male Inlets

Product Compliance:

ASME A112.18.1 / CSA B125.1
NSF 61 - Section 9
NSF 372 (Low Lead Content)
ANSI A117.1 (ADA)