



T&S BRASS AND BRONZE WORKS, INC.

2 Saddleback Cove / P.O. Box 1088
Travelers Rest, SC 29690

Model No.

B-0806

Item No.

Travelers Rest, SC: 800-476-4103 • Simi Valley, CA: 800-423-0150 • Fax: 864-834-3518 • www.tsbrass.com

This Space for Architect/Engineer Approval

Job Name _____ Date _____

Model Specified _____ Quantity _____

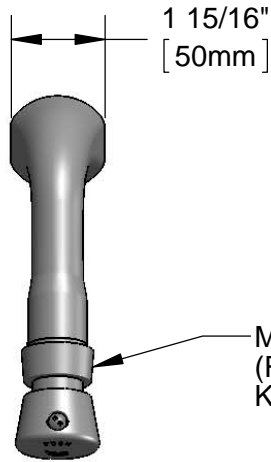
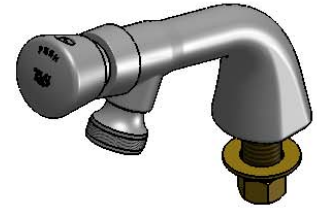
Customer/Wholesaler _____

Contractor _____

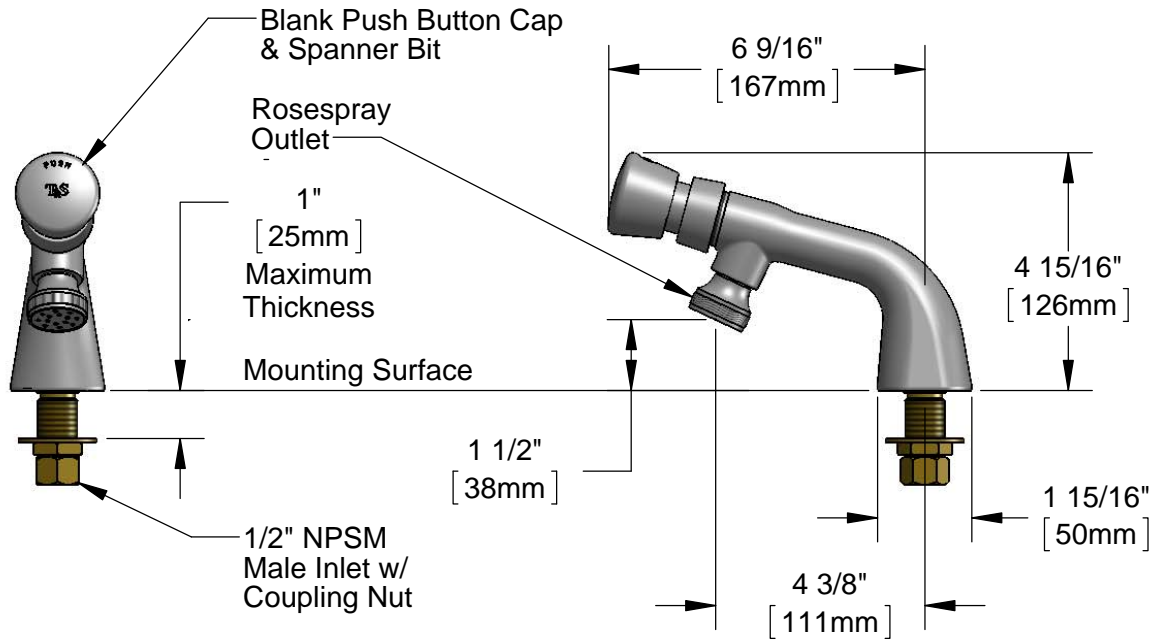
Architect/Engineer _____



ADA Compliant



Metering Cartridge
(Requires 3/32" Hex Key for Adjustment)



Rough-In Requirement:
Ø 1" [25mm] Mounting Hole

Product Specifications:
Single Temperature Deck Mount Faucet, Push Button Metering Cartridge, Rosespray Outlet & 1/2" NPSM Male Inlet

Drawn

KJG

Checked

DHL

Approved

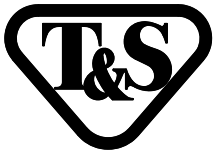
JHB

Scale:

1:4

Date:

03/18/13



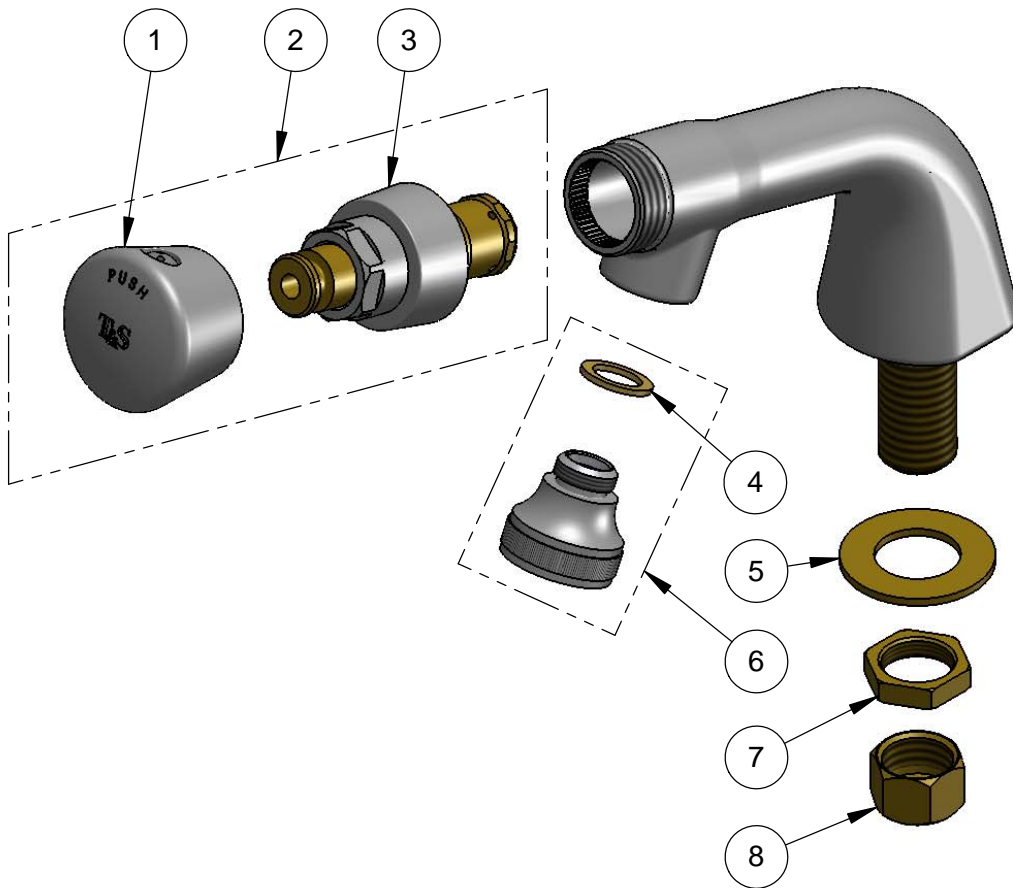
T&S BRASS AND BRONZE WORKS, INC.
 2 Saddleback Cove / P.O. Box 1088
 Travelers Rest, SC 29690

Model No.
B-0806

Item No.

Travelers Rest, SC: 800-476-4103 • Simi Valley, CA: 800-423-0150 • Fax: 864-834-3518 • www.tsbrass.com

ITEM NO.	SALES NO.	DESCRIPTION
1	014193-40	Blank Push Button Cap w/ Spanner Bit
2	238AB	Metering Cartridge w/ Blank Push Button Cap & Spanner Bit
3	238A	Push Button Metering Cartridge
4	001043-45	Washer
5	000999-45	Brass Lock Washer
6	B-0103	Rosespray Outlet
7	002954-45	Shank Lock Nut
8	000958-20	Coupling Nut



014734-45
Spanner Bit

Product Specifications:
 Single Temperature Deck Mount Faucet, Push Button Metering
 Cartridge, Rosespray Outlet & 1/2" NPSM Male Inlet

Drawn KJG	Checked DHL	Approved JHB
Scale: NTS		Date: 03/18/13



T&S BRASS AND BRONZE WORKS, INC.

2 Saddleback Cove / P.O. Box 1088
Travelers Rest, SC 29690

Model No.

B-0806-DP-F20

Item No.

Travelers Rest, SC: 800-476-4103 • Simi Valley, CA: 800-423-0150 • Fax: 864-834-3518 • www.tsbrass.com

This Space for Architect/Engineer Approval

Job Name _____ Date _____

Model Specified _____ Quantity _____

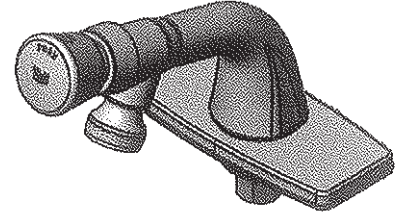
Customer/Wholesaler _____

Contractor _____

Architect/Engineer _____

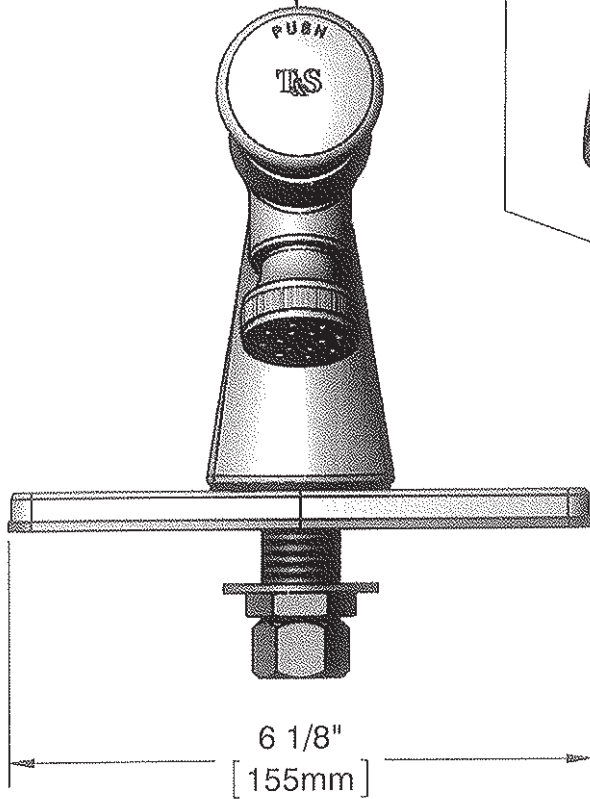


ADA Compliant

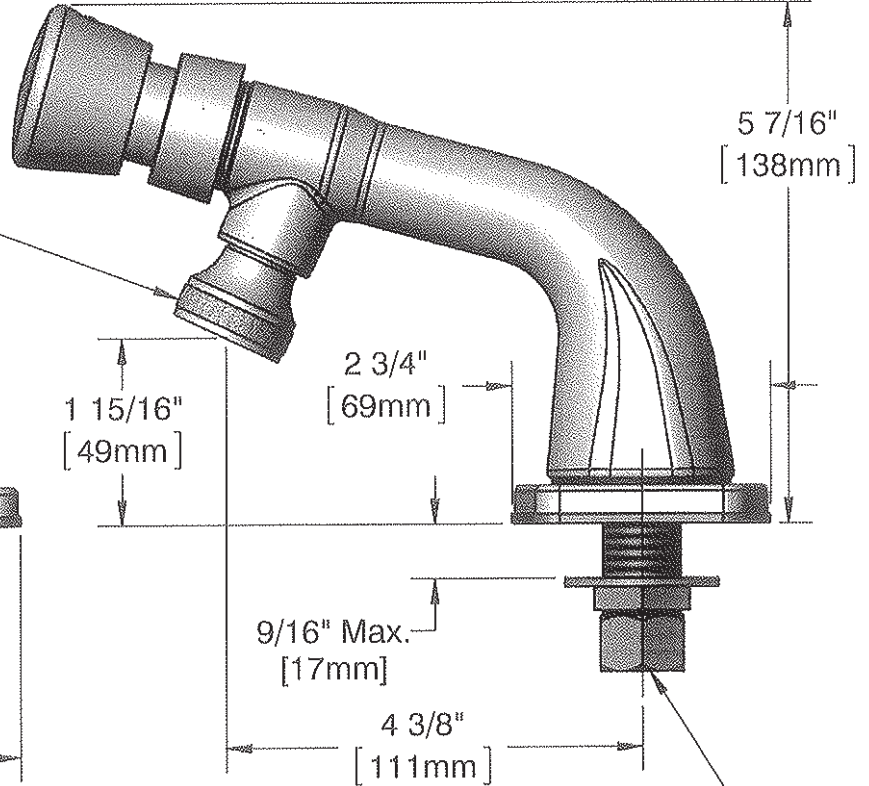


Furnished w/ spanner bit for access to metering adjustment. (Metering adjustment requires 3/32" hex key)

Push Button Metering Cartridge



B-0103-F20
Rosespray Outlet w/
2.0 GPM Flow Control



1/2" NPSM Male Inlet w/ Coupling Nuts

Rough-in Requirement:
Ø1" [25mm] Hole

Product Specifications:
Single Deck Mount Faucet w/ Push Button Metering Cartridge,
2.2 GPM Flow Control Rosespray Outlet, Chrome Plated Deck Plate
& 1/2" NPSM Male Shank Inlet

Drawn	Checked	Approved
DMH	KJG	JHB
Scale:	1:2	Date:
		02/24/12



T&S BRASS AND BRONZE WORKS, INC.

2 Saddleback Cove / P.O. Box 1088
Travelers Rest, SC 29690

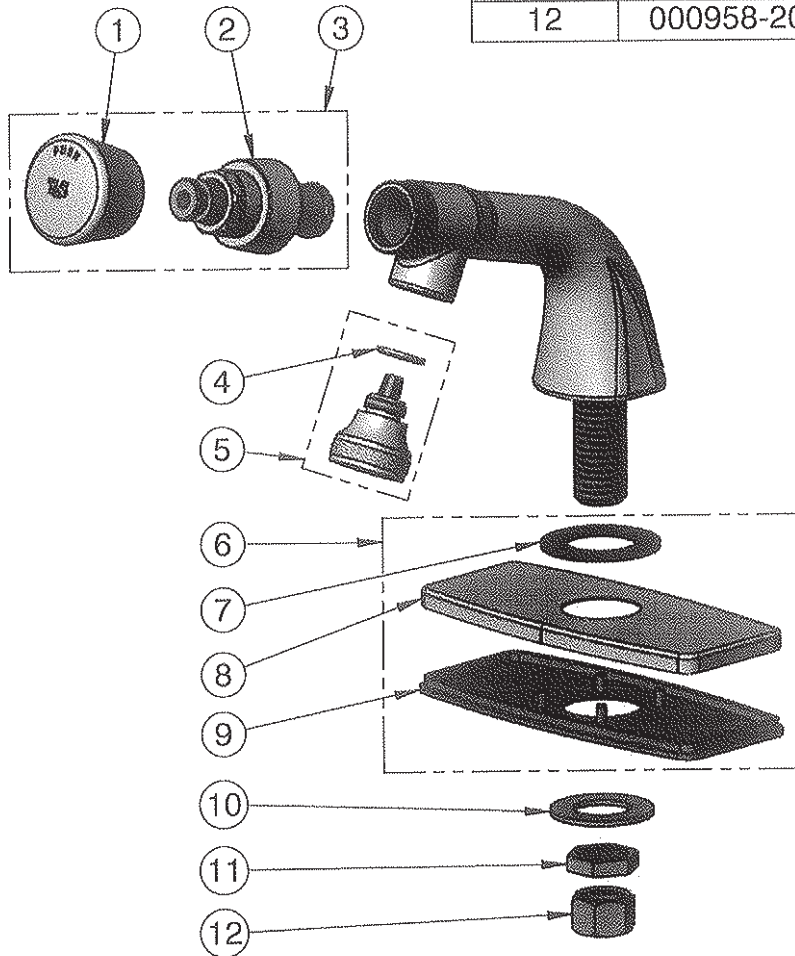
Model No.

B-0806-DP-F20

Item No.

Travelers Rest, SC: 800-476-4103 • Simi Valley, CA: 800-423-0150 • Fax: 864-834-3518 • www.tsbrass.com

ITEM NO.	SALES NO.	DESCRIPTION
1	014193-40	Blank Push Button Cap Asm.
2	238A	Push Button Metering Cartridge
3	238AB	238A Metering Cartridge w/ Blank Push Button
4	001043-45	Washer
5	B-0103-F20	Rosespray w/ 2.0 GPM Flow Control
6	009345-45	Cover Plate w/ Gasket & Seal
7	014612-45	Deck Seal
8	009530-40	Cover Plate
9	018259-45	Gasket, 4" c/c Cover Plate
10	000999-45	Brass Lock Washer
11	002954-45	Shank Lock Nut
12	000958-20	Coupling Nut



014734-45
Spanner Bit

Product Specifications:
Single Deck Mount Faucet w/ Push Button Metering Cartridge,
2.2 GPM Flow Control Rosespray Outlet, Chrome Plated Deck Plate
& 1/2" NPSM Male Shank Inlet

Drawn DMH	Checked KJG	Approved JHB
Scale: NTS		Date: 02/24/12



T&S BRASS AND BRONZE WORKS, INC.
 2 Saddleback Cove / P.O. Box 1088
 Travelers Rest, SC 29690

Model No.
B-0806-VR

Item No.

Travelers Rest, SC: 800-476-4103 • Simi Valley, CA: 800-423-0150 • Fax: 864-834-3518 • www.tsbrass.com



ADA Compliant

This Space for Architect/Engineer Approval

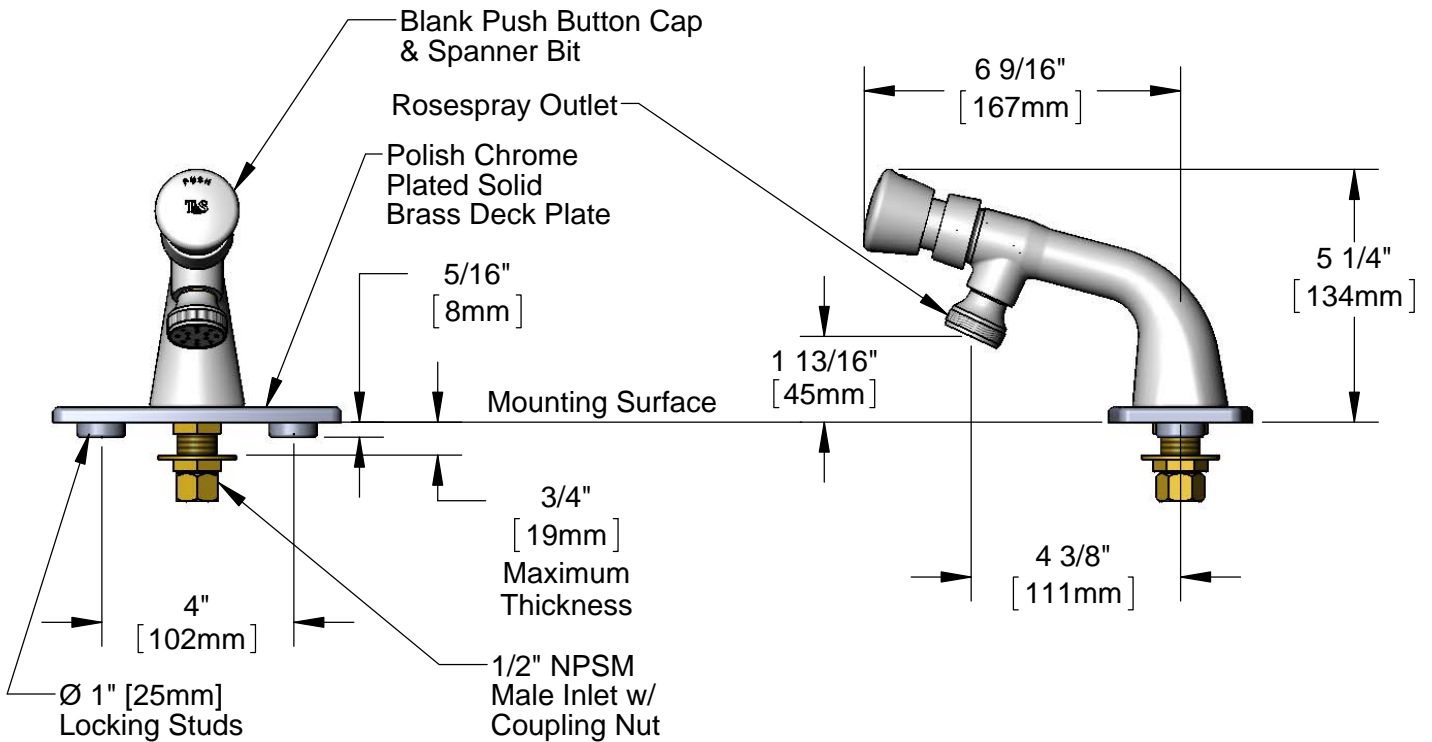
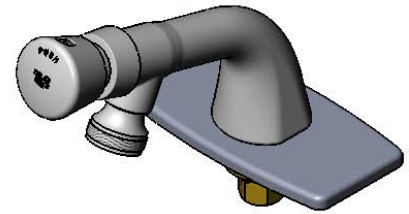
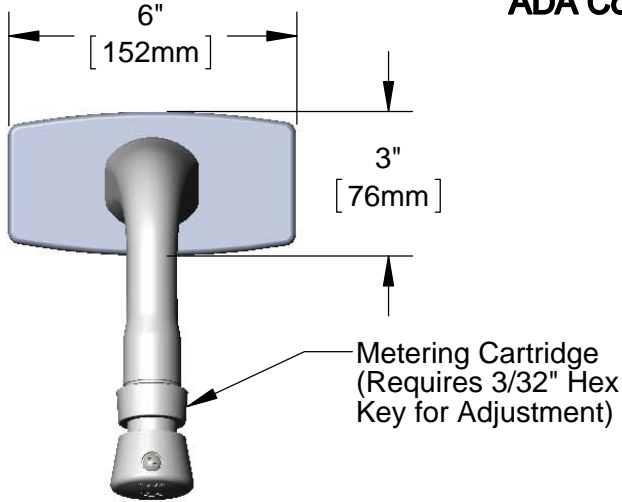
Job Name _____ Date _____

Model Specified _____ Quantity _____

Customer/Wholesaler _____

Contractor _____

Architect/Engineer _____



Rough-In Requirement:
 Center Shank - Ø 1 1/4" [32mm] Mounting Hole
 Locking Studs - (2) Ø 1 1/8" [29mm] Mounting Holes

Product Specifications:
 Single Temperature Deck Mount Faucet, Push Button Metering Cartridge, Rosespray Outlet, Chrome Plated Forged VR Deck Plate & 1/2" NPSM Male Inlet

Drawn KJG	Checked DHL	Approved JHB
Scale: 1:4		Date: 03/18/13



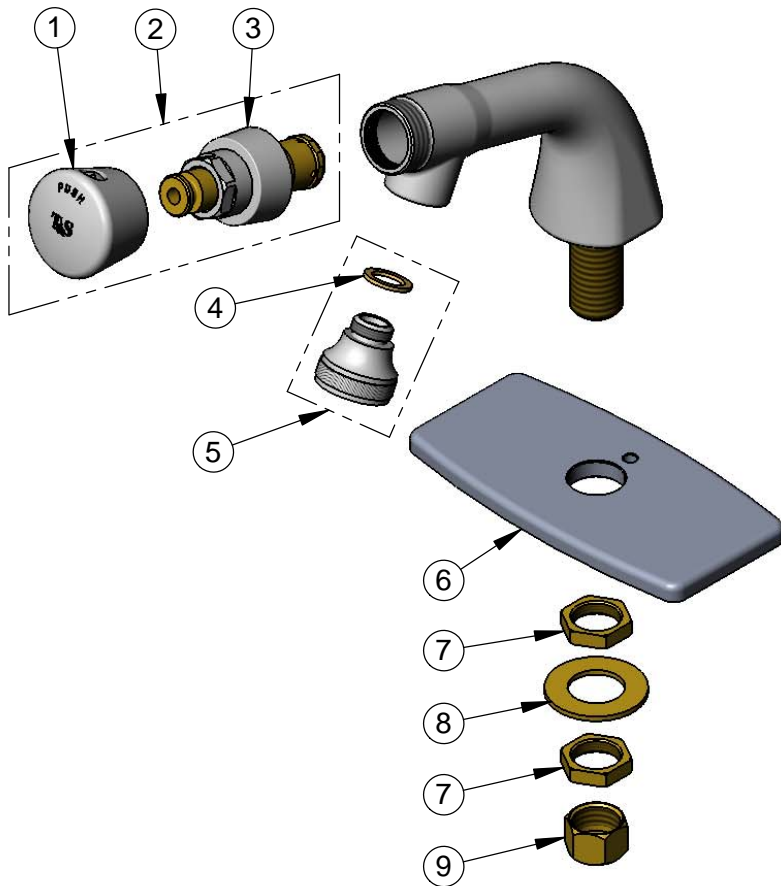
T&S BRASS AND BRONZE WORKS, INC.
 2 Saddleback Cove / P.O. Box 1088
 Travelers Rest, SC 29690

Model No.
B-0806-VR

Item No.

Travelers Rest, SC: 800-476-4103 • Simi Valley, CA: 800-423-0150 • Fax: 864-834-3518 • www.tsbrass.com

ITEM NO.	SALES NO.	DESCRIPTION
1	014193-40	Blank Push Button Cap w/ Spanner Bit
2	238AB	Metering Cartridge w/ Blank Push Button Cap & Spanner Bit
3	238A	Push Button Metering Cartridge
4	001043-45	Washer
5	B-0103	Rosespray Outlet
6	013657-40	Forged Deck Plate
7	002954-45	Shank Lock Nut
8	000999-45	Brass Lock Washer
9	000958-20	Coupling Nut



Product Specifications:
 Single Temperature Deck Mount Faucet, Push Button Metering Cartridge, Rosespray Outlet, Chrome Plated Forged VR Deck Plate & 1/2" NPSM Male Inlet

Drawn KJG	Checked DHL	Approved JHB
Scale: NTS		Date: 03/18/13