



T&S BRASS AND BRONZE WORKS, INC.

2 Saddleback Cove / P.O. Box 1088
Travelers Rest, SC 29690



REG. #A2601
ISO #9001

Model No.

B-0806-PA

Item No.

Travelers Rest, SC: 800-476-4103 Simi Valley, CA: 800-423-0150 Fax: 864-834-3518 www.tsbrass.com

This Space for Architect/Engineer Approval

Job Name _____ Date _____

Model Specified _____ Quantity _____

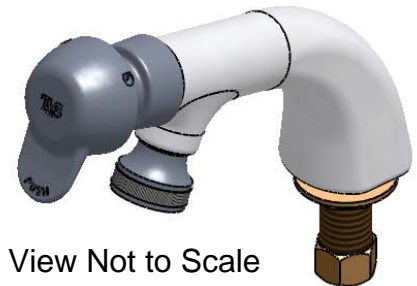
Customer/Wholesaler _____

Contractor _____

Architect/Engineer _____



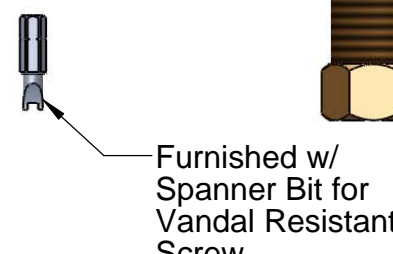
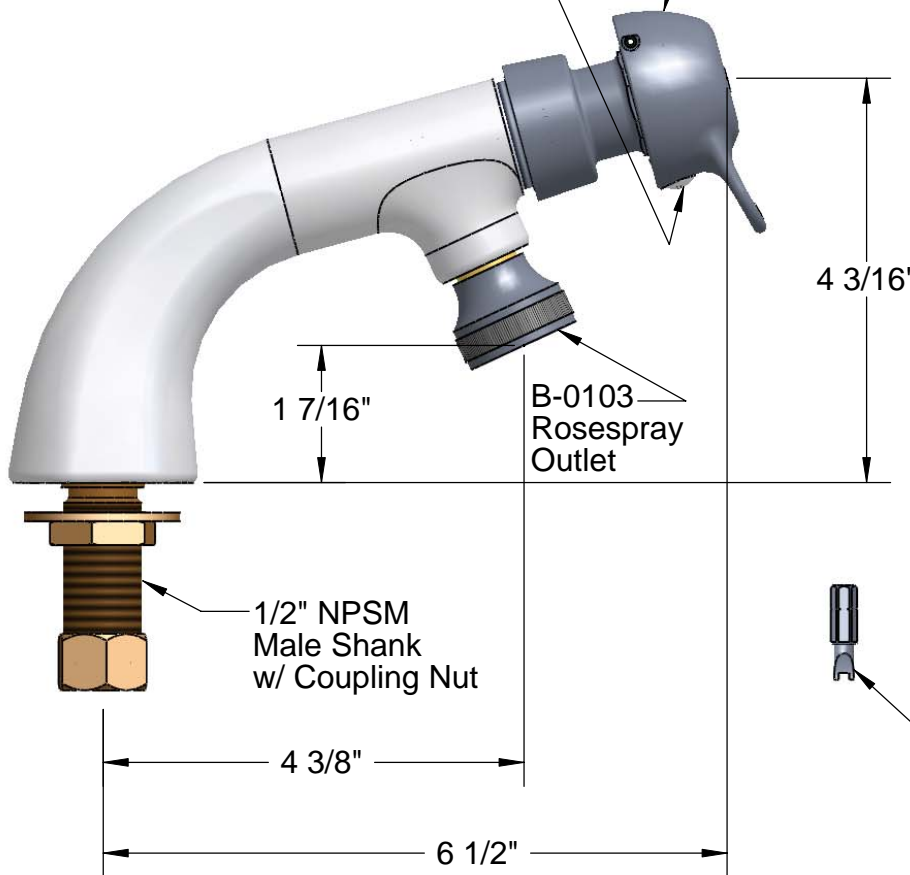
ADA Compliant



View Not to Scale

Vandal Resistant Screw.
Loosen Screw (Do Not
Remove) and Flip Handle
Up to Access Metering
Adjustment.
(Metering Adjustment
Requires 3/32" Hex Key)

238AB-PA
Pivot Action
Metering Cartridge
w/ Blank Handle and
Vandal Resistant Screw



Furnished w/
Spanner Bit for
Vandal Resistant
Screw.

Rough-In: ϕ 1" Hole

Product Specifications:

Single Temp Metering Faucet w/ 1/2" NPSM Male Shank,
Pivot Action Metering Cartridge and Rosespray Outlet

Drawn DMH	Checked GEF	Approved JHB
Scale: 1:8		Date: 10/03/08



T&S BRASS AND BRONZE WORKS, INC.

2 Saddleback Cove / P.O. Box 1088
Travelers Rest, SC 29690



REG. #A2601
ISO #9001

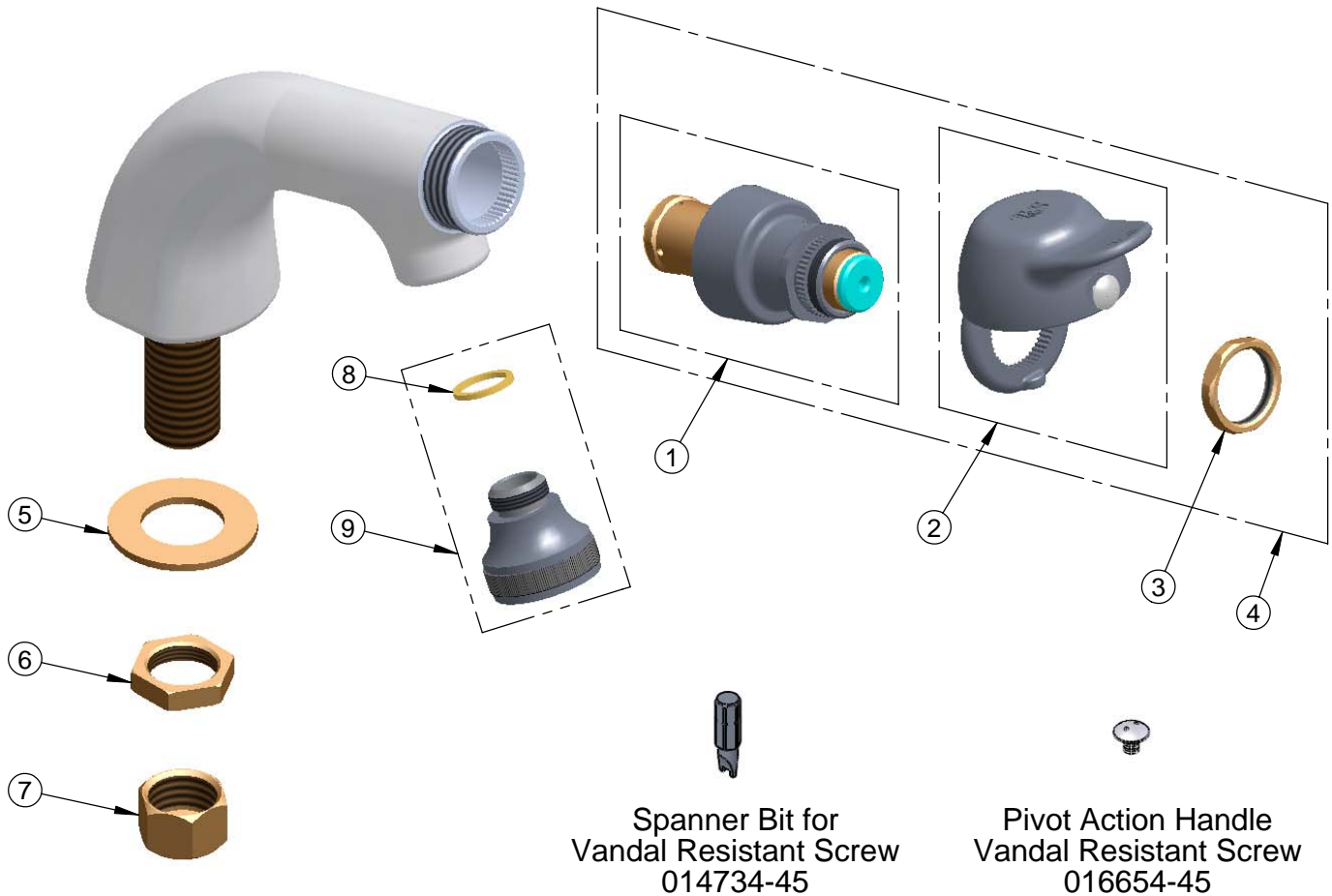
Model No.

B-0806-PA

Item No.

Travelers Rest, SC: 800-476-4103 Simi Valley, CA: 800-423-0150 Fax: 864-834-3518 www.tsbrass.com

ITEM NO.	SALES NO.	DESCRIPTION
1	238A-PA	Pivot Action Metering Cartridge w/ Retaining Nut
2	PA-B	Blank Pivot Action Handle Assembly w/ Retaining Nut and Spanner Bit
3	PA-N	Retaining Nut
4	238AB-PA	Pivot Action Metering Cartridge w/ Blank Pivot Action Handle, Retaining Nut and Spanner Bit
5	000999-45	Brass Lock Washer
6	002954-45	Shank Lock Nut
7	000958-20	Coupling Nut
8	001043-45	Washer
9	B-0103	Rosespray



Product Specifications:

Single Temp Metering Faucet w/ 1/2" NPSM Male Shank,
Pivot Action Metering Cartridge and Rosespray Outlet

Drawn DMH	Checked GEF	Approved JHB
Scale: 1:4		Date: 10/03/08



T&S BRASS AND BRONZE WORKS, INC.

2 Saddleback Cove / P.O. Box 1088
Travelers Rest, SC 29690

Model No.

B-0806-DP-F20

Item No.

Travelers Rest, SC: 800-476-4103 • Simi Valley, CA: 800-423-0150 • Fax: 864-834-3518 • www.tsbrass.com

This Space for Architect/Engineer Approval

Job Name _____ Date _____

Model Specified _____ Quantity _____

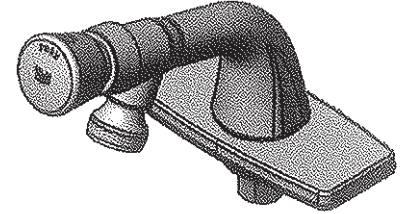
Customer/Wholesaler _____

Contractor _____

Architect/Engineer _____

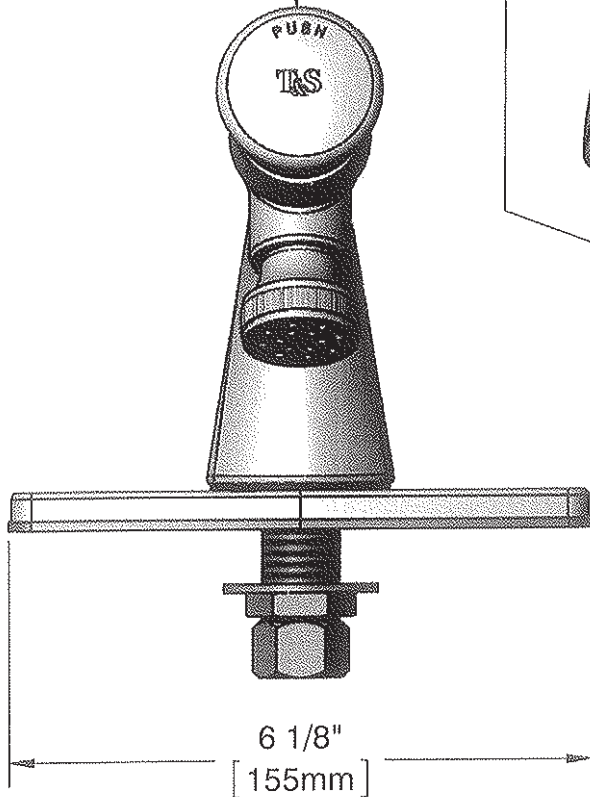


ADA Compliant

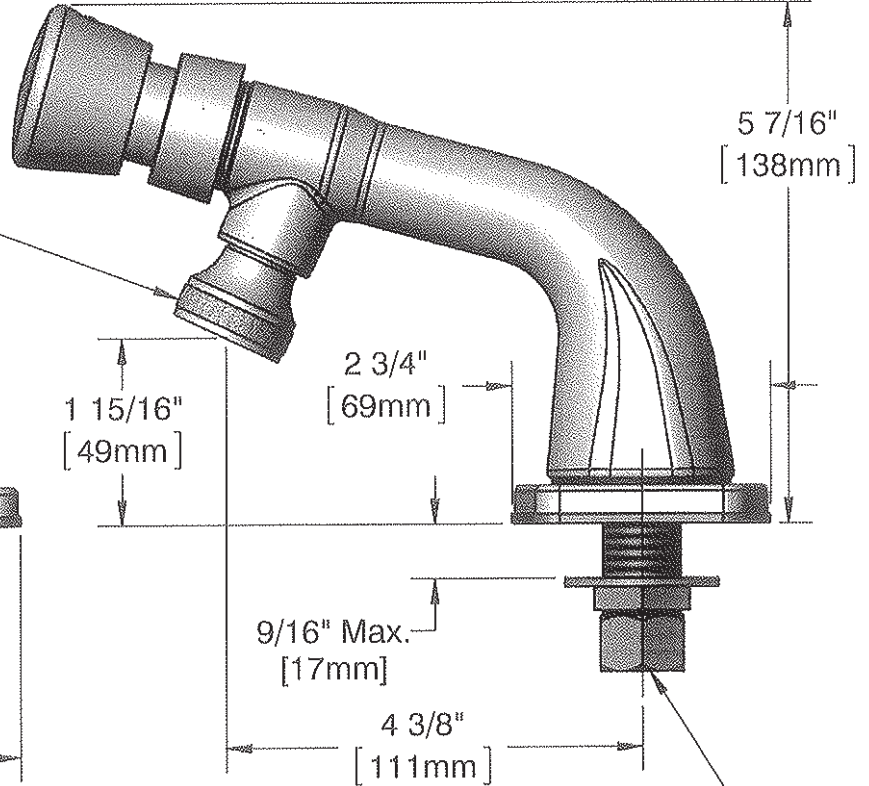


Furnished w/ spanner bit for access to metering adjustment. (Metering adjustment requires 3/32" hex key)

Push Button Metering Cartridge



B-0103-F20
Rosespray Outlet w/
2.0 GPM Flow Control



1/2" NPSM Male Inlet w/ Coupling Nuts

Rough-in Requirement:
Ø1" [25mm] Hole

Product Specifications:
Single Deck Mount Faucet w/ Push Button Metering Cartridge,
2.2 GPM Flow Control Rosespray Outlet, Chrome Plated Deck Plate
& 1/2" NPSM Male Shank Inlet

Drawn	Checked	Approved
DMH	KJG	JHB
Scale:	Date:	
1:2	02/24/12	



T&S BRASS AND BRONZE WORKS, INC.

2 Saddleback Cove / P.O. Box 1088
Travelers Rest, SC 29690

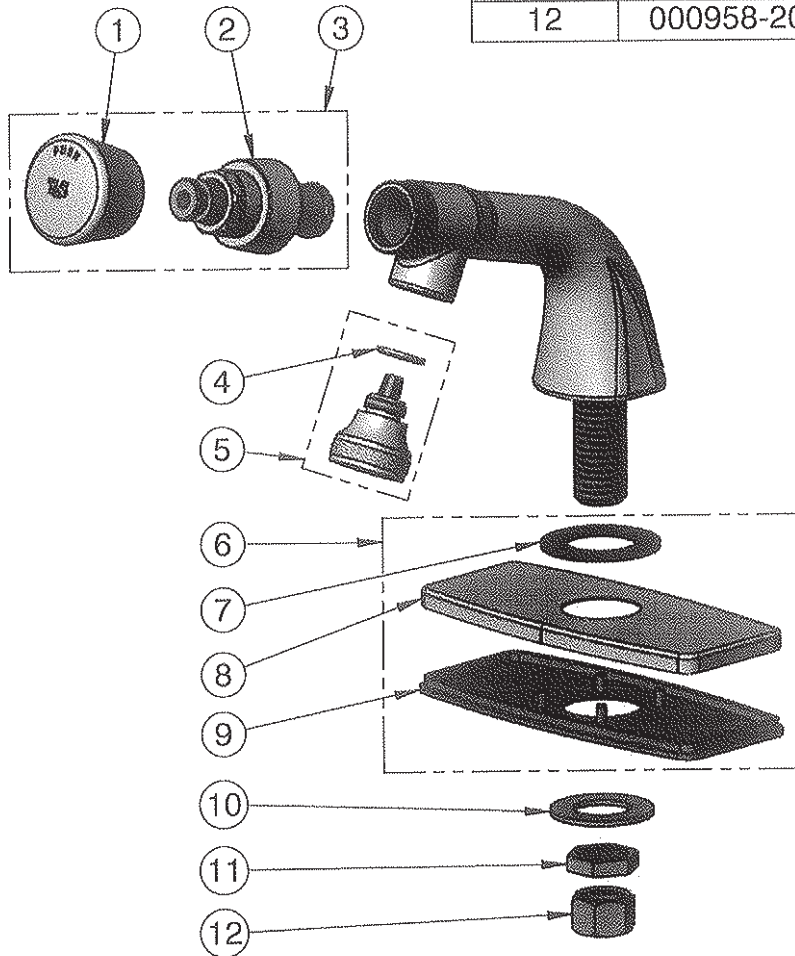
Model No.

B-0806-DP-F20

Item No.

Travelers Rest, SC: 800-476-4103 • Simi Valley, CA: 800-423-0150 • Fax: 864-834-3518 • www.tsbrass.com

ITEM NO.	SALES NO.	DESCRIPTION
1	014193-40	Blank Push Button Cap Asm.
2	238A	Push Button Metering Cartridge
3	238AB	238A Metering Cartridge w/ Blank Push Button
4	001043-45	Washer
5	B-0103-F20	Rosespray w/ 2.0 GPM Flow Control
6	009345-45	Cover Plate w/ Gasket & Seal
7	014612-45	Deck Seal
8	009530-40	Cover Plate
9	018259-45	Gasket, 4" c/c Cover Plate
10	000999-45	Brass Lock Washer
11	002954-45	Shank Lock Nut
12	000958-20	Coupling Nut



014734-45
Spanner Bit

Product Specifications:
Single Deck Mount Faucet w/ Push Button Metering Cartridge,
2.2 GPM Flow Control Rosespray Outlet, Chrome Plated Deck Plate
& 1/2" NPSM Male Shank Inlet

Drawn DMH	Checked KJG	Approved JHB
Scale: NTS		Date: 02/24/12