



T&S BRASS AND BRONZE WORKS, INC.

2 Saddleback Cove / P.O. Box 1088
Travelers Rest, SC 29690

Model No.
B-0712-VF05-4DP

Item No.

Travelers Rest, SC: 800-476-4103 • Simi Valley, CA: 800-423-0150 • Fax: 864-834-3518 • www.tsbrass.com

This Space for Architect/Engineer Approval

Job Name _____ Date _____

Model Specified _____ Quantity _____

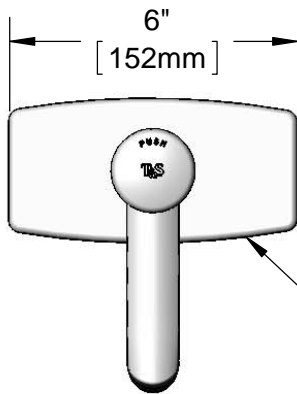
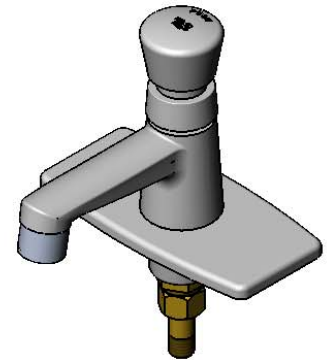
Customer/Wholesaler _____

Contractor _____

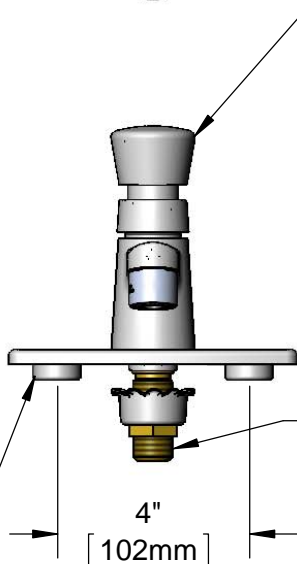
Architect/Engineer _____



ADA Compliant



Polished Chrome
Plated Solid Brass
Deck Plate



Metering Cartridge
& Push Button Cap

Vandal Resistant
0.5 GPM Non-Aerated
Spray Device

1 3/16"
[30mm]

Mounting Surface

Ø 1"
[25mm]
Locking
Studs

1/2" NPSM
Male Shank

4"
[102mm]

Factory Installed
Anti-Rotation Pin
Pressed into Body

150A
Optional Tailpiece & Nut
for 1/4" NPT Connection
(Included)

4 1/8"
[105mm]

4 15/16"
[126mm]

1/2"
[13mm]
Maximum
Thickness

3"
[76mm]

Spanner Bit for
Access to Metering
Adjustment Included.
(Metering Adjustment
Requires 3/32" Hex Key)



Rough-In Requirement:
(3) Ø 1 1/8" [29mm] Mounting Holes

Product Specifications:
Single Temperature Basin Faucet w/ 1/2" NPSM Male Shank,
Push Button Metering Cartridge, 4" Deck Plate & VR 0.5 GPM
Non-Aerated Spray Device

Drawn KJG	Checked DMH	Approved JHB
Scale: 1:4		Date: 11/01/12



T&S BRASS AND BRONZE WORKS, INC.

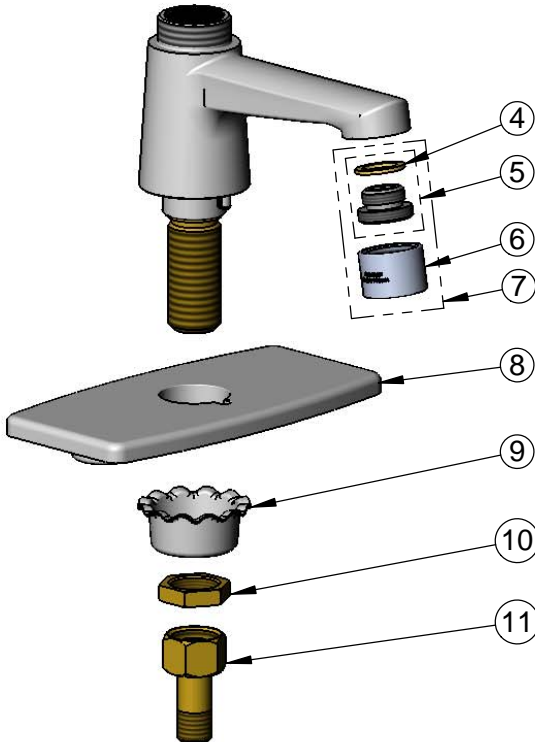
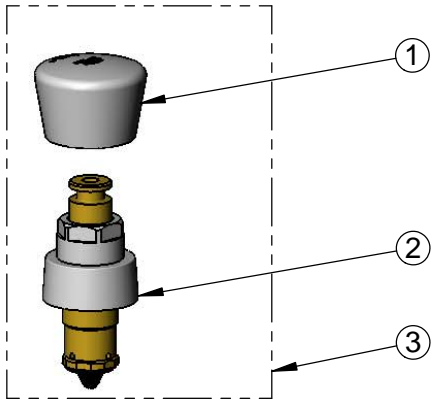
2 Saddleback Cove / P.O. Box 1088
Travelers Rest, SC 29690

Model No.
B-0712-VF05-4DP

Item No.

Travelers Rest, SC: 800-476-4103 • Simi Valley, CA: 800-423-0150 • Fax: 864-834-3518 • www.tsbrass.com

ITEM NO.	SALES NO.	DESCRIPTION
1	014193-40	Blank Push Button Cap
2	238A	Push Button Metering Cartridge
3	238AB	238A Metering Cartridge w/ Blank Push Button
4	001043-45	Washer
5	044A	3/8" to Aerator Adapter w/ Washer
6	B-0199-06-N05	VR 0.5 GPM Non-Aerated Spray Device, 55/64"-27UN Female
7	B-0199-07-N05	VR 0.5 GPM Non-Aerated Spray Device, 3/8" NPSM Male
8	B-CVR	4" Forged Deck Plate
9	001000-45	Rosette Washer
10	002954-45	Shank Lock Nut
11	150A	1/4" NPT Tailpiece & Nut



014734-45
Spanner Bit for
Vandal Resistant Screw



015425-45
Vandal Resistant Key
(Included w/ Spray Device)

Product Specifications:
Single Temperature Basin Faucet w/ 1/2" NPSM Male Shank,
Push Button Metering Cartridge, 4" Deck Plate & VR 0.5 GPM
Non-Aerated Spray Device

Drawn KJG	Checked DMH	Approved JHB
Scale: NTS		Date: 11/01/12



T&S BRASS AND BRONZE WORKS, INC.

2 Saddleback Cove / P.O. Box 1088
Travelers Rest, SC 29690



REG. #A2601
ISO #9001

Model No.

B-0712-4DP

Item No.

Travelers Rest, SC: 800-476-4103 Simi Valley, CA: 800-423-0150 Fax: 864-834-3518 www.tsbrass.com

This Space for Architect/Engineer Approval

Job Name _____ Date _____

Model Specified _____ Quantity _____

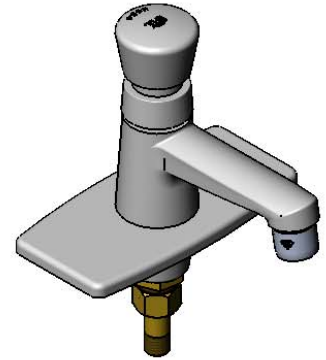
Customer/Wholesaler _____


Contractor _____

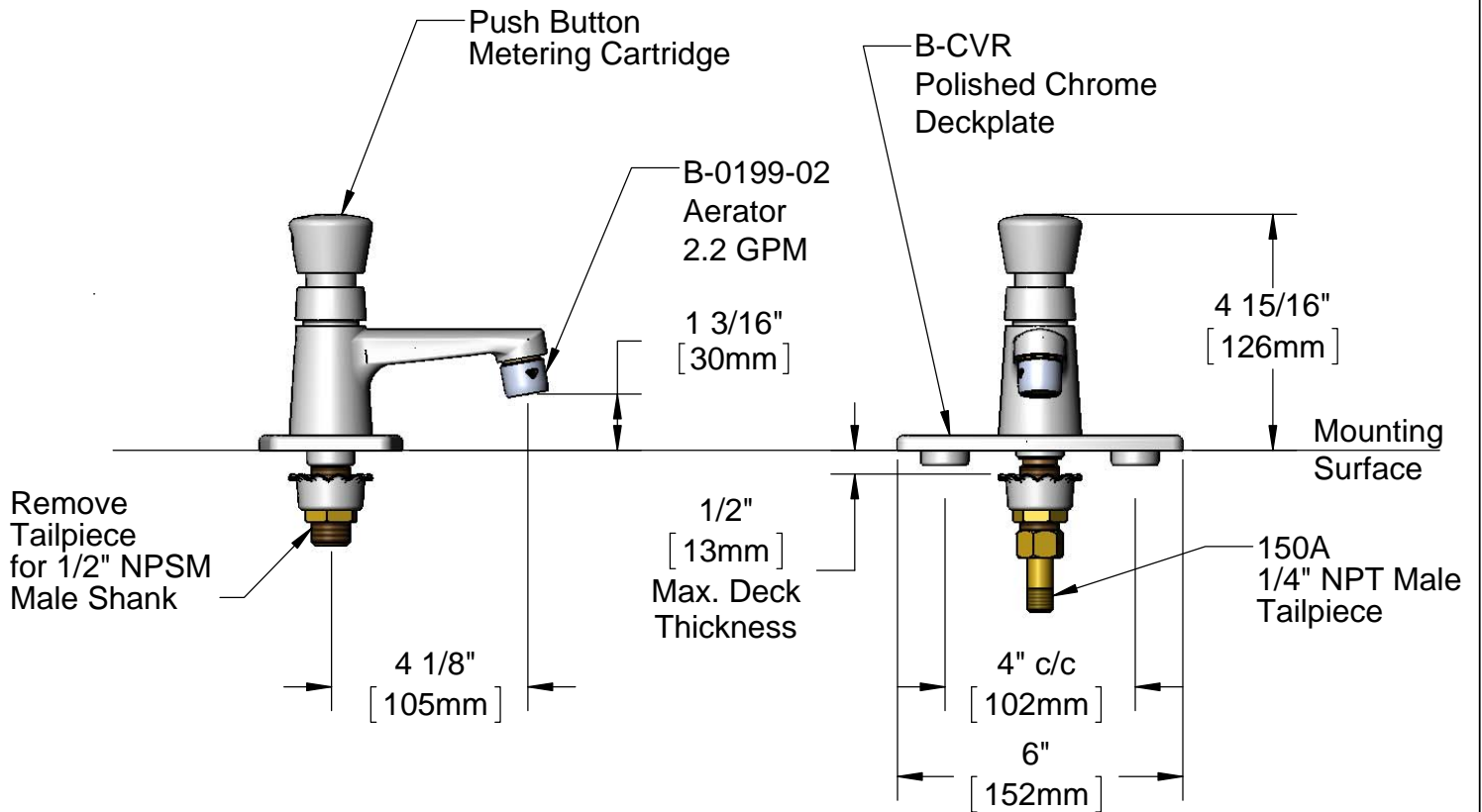
Architect/Engineer _____



ADA Compliant



 Furnished w/ Spanner Bit for Access to Metering Adjustment (Metering Adjustment Requires 3/32" Hex Key)



Note: Rough-In Requirement:
(3) ϕ 1 1/8" [29mm] Mounting Holes

Product Specifications:

Single Temperature Basin Faucet w/ 1/2" NPSM Male Shank, Push Button Metering Cartridge, 4" c/c Deckplate, & 2.2 GPM Aerator

Drawn KJG	Checked DMH	Approved JHB
Scale: 1:4		Date: 09/02/11



T&S BRASS AND BRONZE WORKS, INC.

2 Saddleback Cove / P.O. Box 1088
Travelers Rest, SC 29690



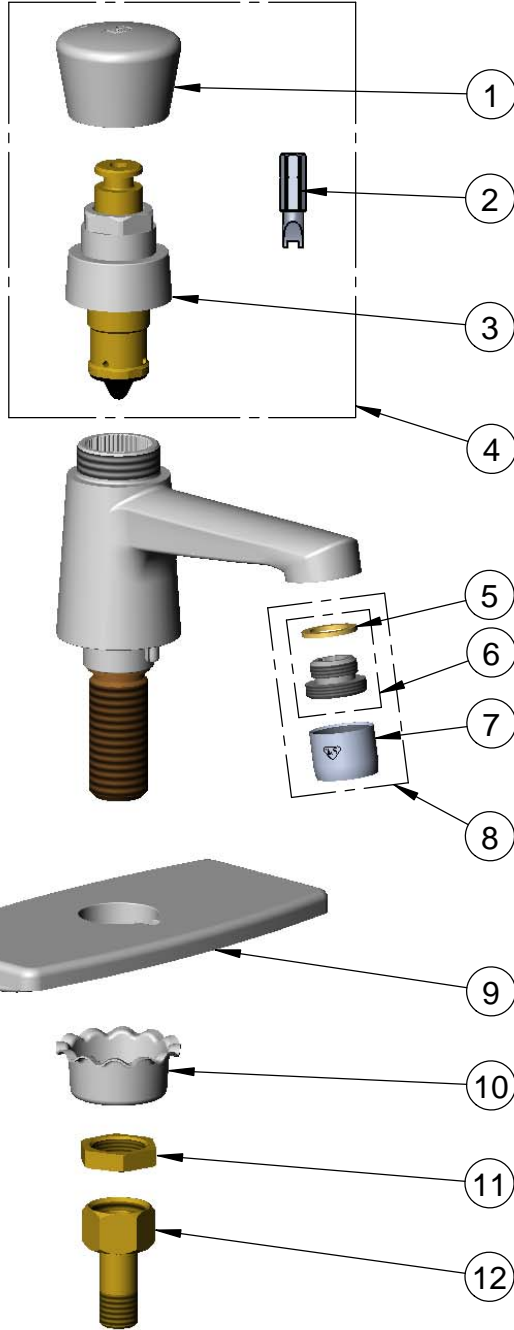
REG. #A2601
ISO #9001

Model No.

B-0712-4DP

Item No.

Travelers Rest, SC: 800-476-4103 Simi Valley, CA: 800-423-0150 Fax: 864-834-3518 www.tsbrass.com



ITEM NO.	SALES NO.	DESCRIPTION
1	014193-40	Push Button Cap Assembly
2	014734-45	Spanner Bit
3	238A	Push Button Metering Cartridge
4	238AB	Metering Cartridge w/ Blank Push Button & Key
5	001043-45	Washer
6	044A	3/8" to Aerator Adapter
7	B-0199-01	2.2 GPM Aerator, Female
8	B-0199-02	Aerator, 2.2 GPM, 3/8" NPSM
9	B-CVR	4" c/c Deckplate, Vandal
10	001000-45	Rosette Washer
11	002954-45	Shank Lock Nut
12	150A	Nut and Tailpiece

Product Specifications:

Single Temperature Basin Faucet w/ 1/2" NPSM Male Shank, Push Button Metering Cartridge, 4" c/c Deckplate, & 2.2 GPM Aerator

Drawn KJG	Checked DMH	Approved JHB
Scale: NTS		Date: 09/02/11



T&S BRASS AND BRONZE WORKS, INC.

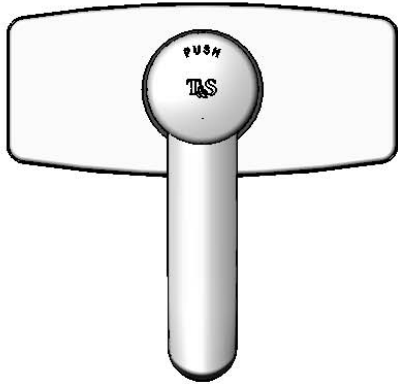
2 Saddleback Cove / P.O. Box 1088
Travelers Rest, SC 29690

Model No.

B-0712-ESC

Item No.

Travelers Rest, SC: 800-476-4103 • Simi Valley, CA: 800-423-0150 • Fax: 864-834-3518 • www.tsbrass.com



ADA Compliant

This Space for Architect/Engineer Approval

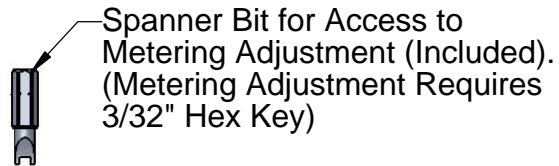
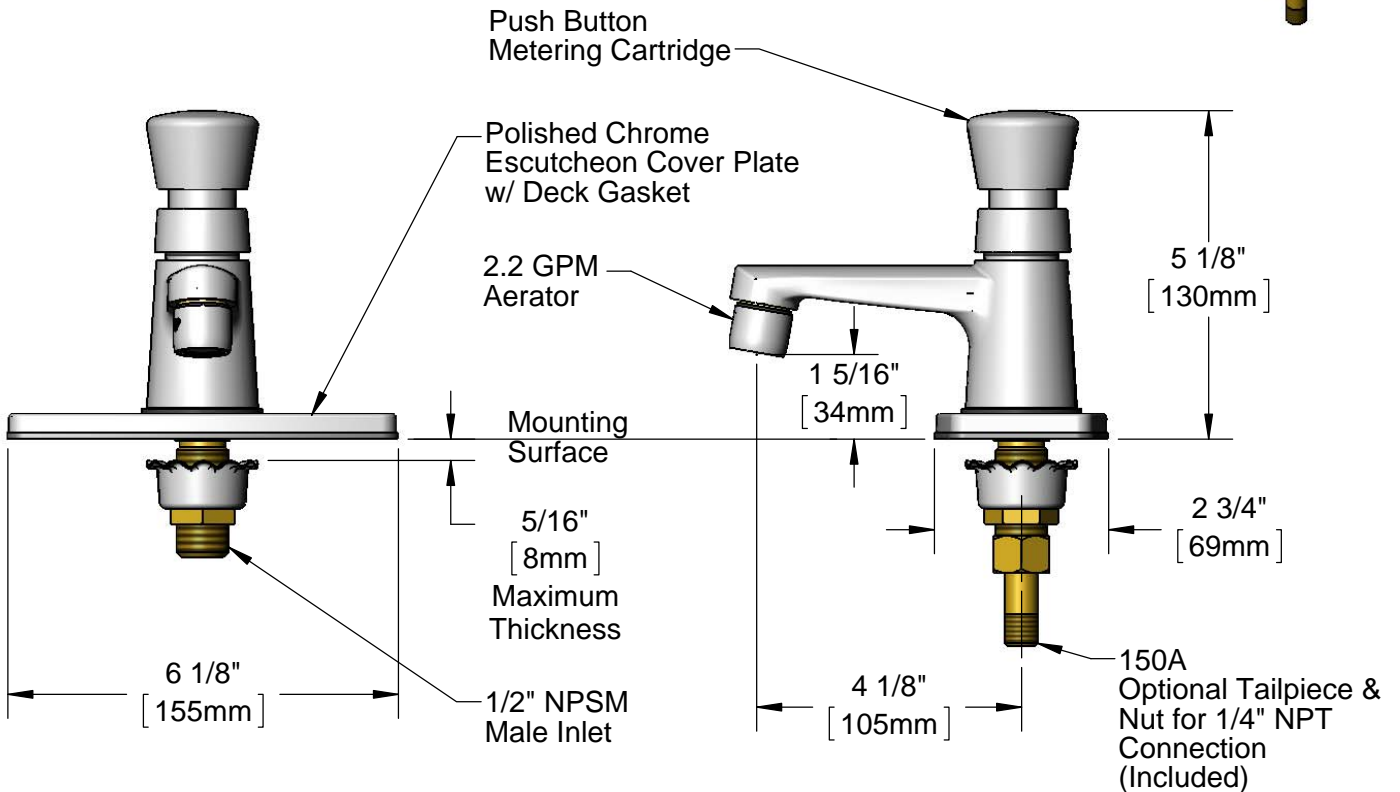
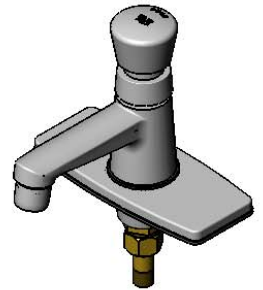
Job Name _____ Date _____

Model Specified _____ Quantity _____

Customer/Wholesaler _____

Contractor _____

Architect/Engineer _____



Spanner Bit for Access to Metering Adjustment (Included).
(Metering Adjustment Requires 3/32" Hex Key)

Rough-In Requirement:
Ø 1 1/8" [29mm] Mounting Hole

Product Specifications:
Single Hole Single Temperature Deck Mount Basin Faucet, Push Button Metering Cartridge, 2.2 GPM Aerator, Escutcheon Cover Plate & 1/2" NPSM Male Shank

Product Compliance:
ASME A112.18.1 / CSA B125.1
NSF 61 - Section 9
NSF 372 (Low Lead Content)
ANSI A117.1 (ADA)



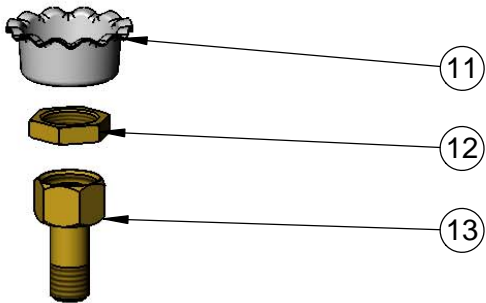
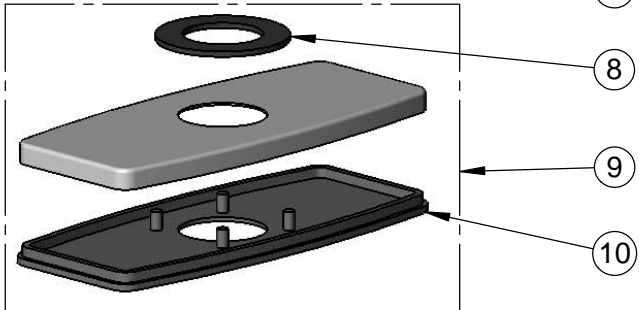
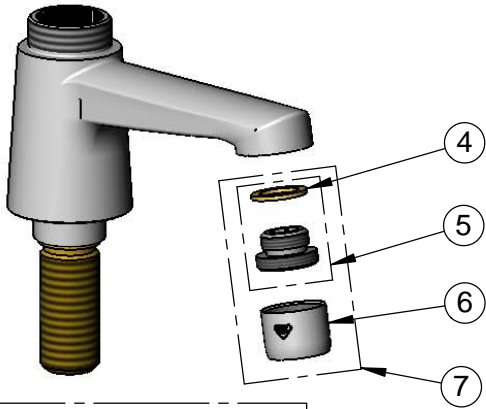
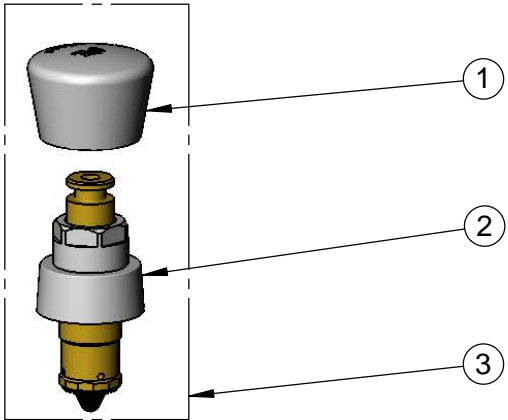
T&S BRASS AND BRONZE WORKS, INC.
 2 Saddleback Cove / P.O. Box 1088
 Travelers Rest, SC 29690

Model No.
B-0712-ESC

Item No.

Travelers Rest, SC: 800-476-4103 • Simi Valley, CA: 800-423-0150 • Fax: 864-834-3518 • www.tsbrass.com

ITEM NO.	SALES NO.	DESCRIPTION
1	014193-40	Blank Push Button Cap w/ Spanner Bit
2	238A	Push Button Metering Cartridge
3	238AB	Metering Cartridge w/ Blank Push Button & Spanner Bit
4	001043-45	Washer
5	044A	3/8" to Aerator Adapter
6	B-0199-01	2.2 GPM Aerator, 55/64"-27 UN Female
7	B-0199-02	2.2 GPM Aerator, 3/8" NPSM
8	014612-45	Deck Seal
9	009345-45	Cover Plate w/ Gasket & Seal
10	018259-45	Gasket, 4" Cover Plate
11	001000-45	Rosette Washer
12	002954-45	Shank Lock Nut
13	150A	1/4" NPT Tailpiece & Nut



014734-45
 # 8 Spanner Bit

Product Specifications:
 Single Hole Single Temperature Deck Mount Basin Faucet, Push Button Metering Cartridge, 2.2 GPM Aerator, Escutcheon Cover Plate & 1/2" NPSM Male Shank

Product Compliance:
 ASME A112.18.1 / CSA B125.1
 NSF 61 - Section 9
 NSF 372 (Low Lead Content)
 ANSI A117.1 (ADA)